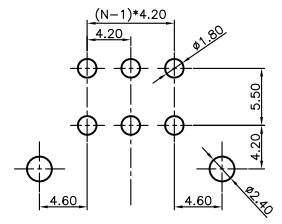
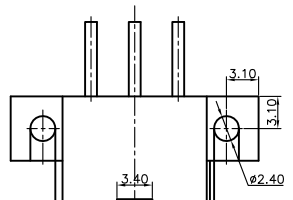


1 2 3 4 5 6 7 8

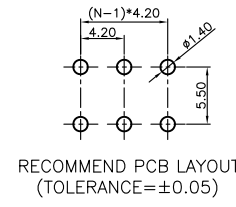
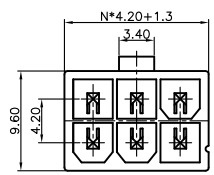
A

R/A type
WITH EAR TYPE



RECOMMEND PCB LAYOUT
(TOLERANCE=±0.05)

V/T type



RECOMMEND PCB LAYOUT
(TOLERANCE=±0.05)

REV.	DESCRIPTION	DRAWN	CHECKED	APPROVED
A	NEW RELEASE	YCH 12/15/07'	~	

NOTES:

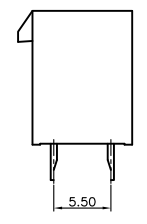
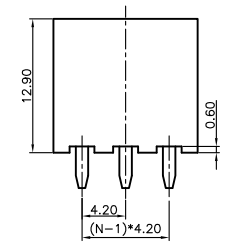
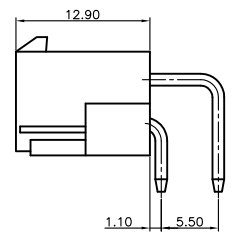
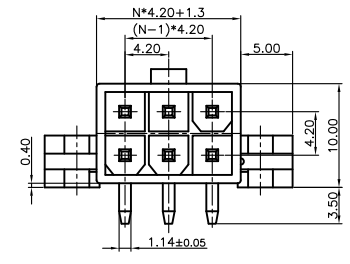
- MAIN SPECIFICATIONS
 - Housing material: NYLON 66
 - Rated voltage: 250V
 - Rated current: 3A
 - Contact resistance: ≤ 100mΩ
 - Insulation resistance: ≥ 1000MΩ
 - Withstanding voltage: 500V, AC 1 minute
 - Temperature range: -45 ~ +110°C
 - Recommend PC board thickness: 1.6mm
- PRODUCT NUMBER CODE:

DS1073-01- X X X X X

 - Contact Plating
 - 6: Tin
 - 8: Full gold flash
 - Housing Color
 - T: Transparent
 - Mounting type
 - V: V/T type
 - R1: R/A with ear type
 - R2: R/A with post type
 - R3: R/A W/o ear and W/o post type
 - Connector type
 - M: Male
 - No. of contact
 - 2*2-2*10

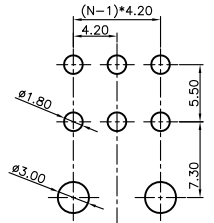
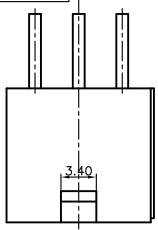
B

C



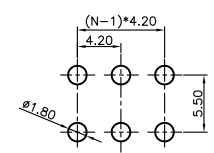
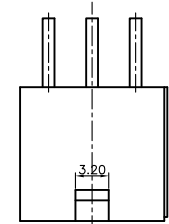
D

R/A type
WITH POST TYPE



RECOMMEND PCB LAYOUT
(TOLERANCE=±0.05)

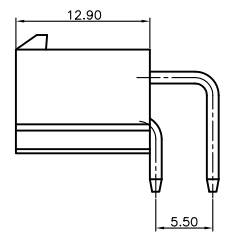
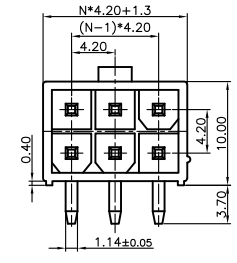
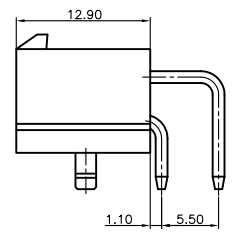
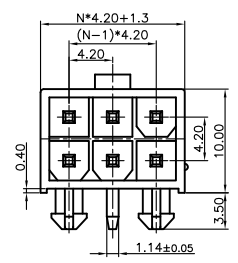
R/A type
W/O EAR AND POST TYPE



RECOMMEND PCB LAYOUT
(TOLERANCE=±0.05)

E

F

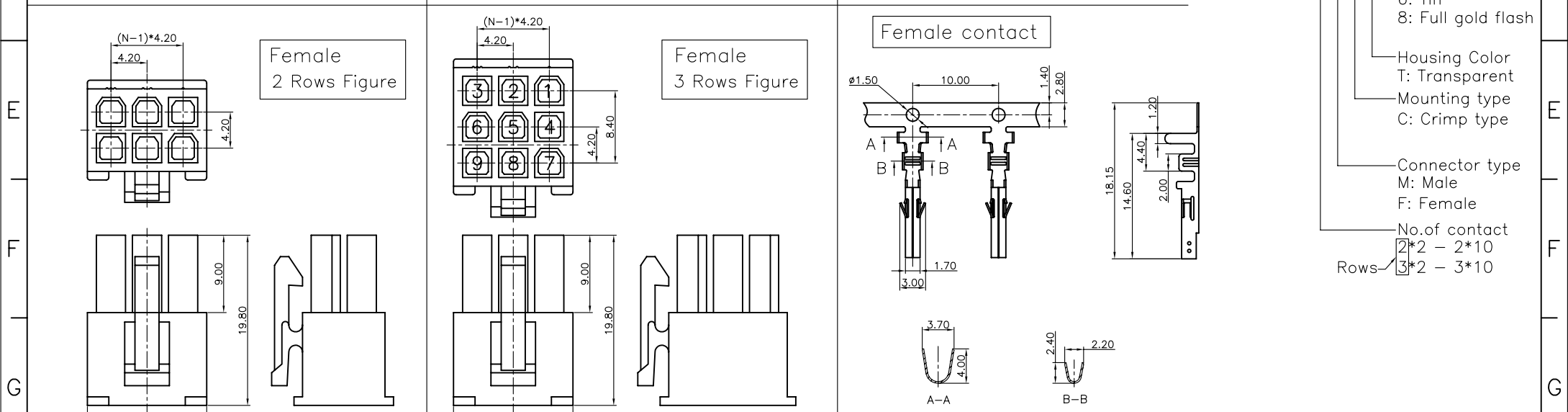
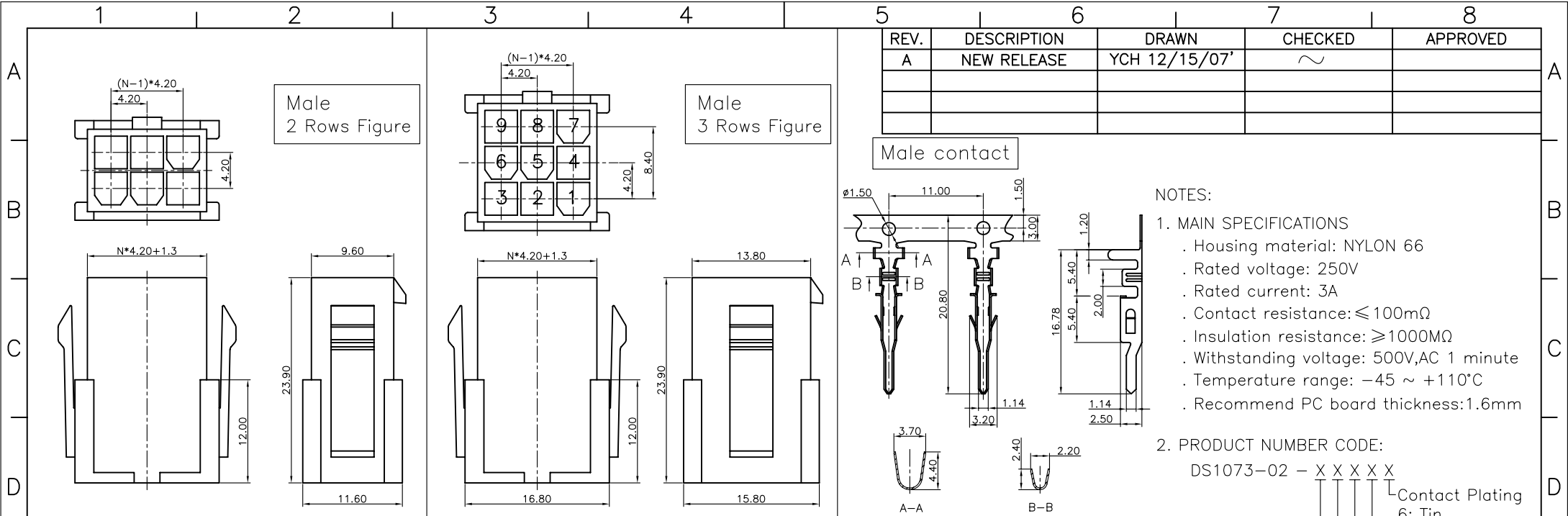


G

H

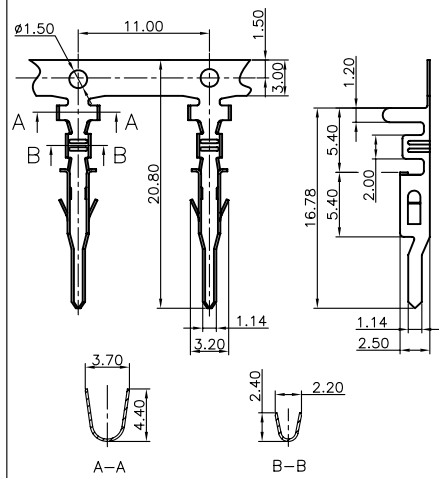
GENERAL TOLERANCE		ANGLE TOLERANCE		PROJECTION		TITLE	ATX CONNECTOR PITCH 4.2mm		
X	±0.60	X	±5°	UNITS		mm	DIP & R/A type		
.X	±0.38	.X	±3°	SHEET SIZE	A4	SERIES	DS1073-01 SERIES		
.XX	±0.25	.XX	±2°	DRAWING TYPE		CUSTOMRE			
SCALE		1:1		SHEET		1 OF 1			
DRAWING NO.		C-DS1073-01-XXXXX-A				晨翔电子有限公司 CONFLY CONFLY ELECTRONIC CO. LTD			

1 2 3 4 5 6 7 8



REV.	DESCRIPTION	DRAWN	CHECKED	APPROVED
A	NEW RELEASE	YCH 12/15/07'	~	

Male contact

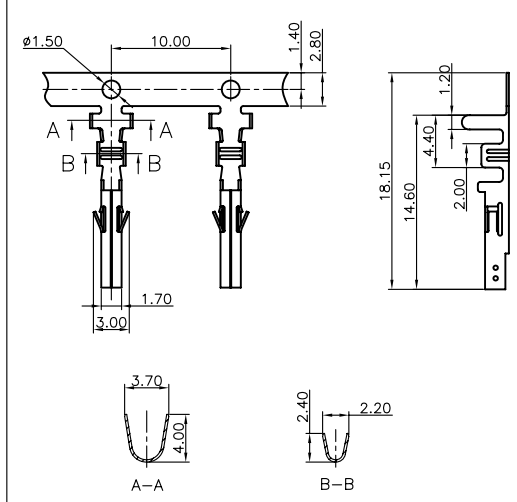


- NOTES:
1. MAIN SPECIFICATIONS
 - . Housing material: NYLON 66
 - . Rated voltage: 250V
 - . Rated current: 3A
 - . Contact resistance: $\leq 100m\Omega$
 - . Insulation resistance: $\geq 1000M\Omega$
 - . Withstanding voltage: 500V, AC 1 minute
 - . Temperature range: $-45 \sim +110^{\circ}C$
 - . Recommend PC board thickness: 1.6mm
 2. PRODUCT NUMBER CODE:

DS1073-02 - X X X X X

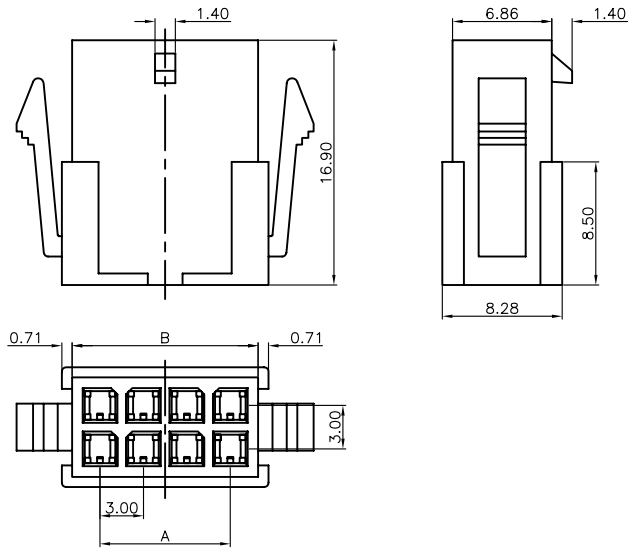
 - 6: Tin
 - 8: Full gold flash
 - Housing Color
 - T: Transparent
 - Mounting type
 - C: Crimp type
 - Connector type
 - M: Male
 - F: Female
 - No. of contact
 - 2*2 - 2*10
 - 3*2 - 3*10

Female contact

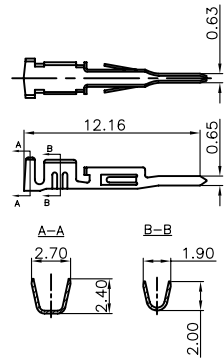


GENERAL TOLERANCE		ANGLE TOLERANCE		PROJECTION		TITLE	ATX CONNECTOR PITCH 4.2mm	
X.	±0.60	X.	±5°	UNITS	mm		Crimp typr	
.X	±0.38	.X	±3°	SHEET SIZE	A4	SERIES	DS1073-02 SERIES	
.XX	±0.25	.XX	±2°	晨翔电子有限公司 CONNFLY CONNFLY ELECTRONIC CO. LTD				
DRAWING TYPE		CUSTOMRE						
SCALE		1:1	SHEET 1 OF 1					
DRAWING NO.		C-DS1073-02-XXXXX-A						

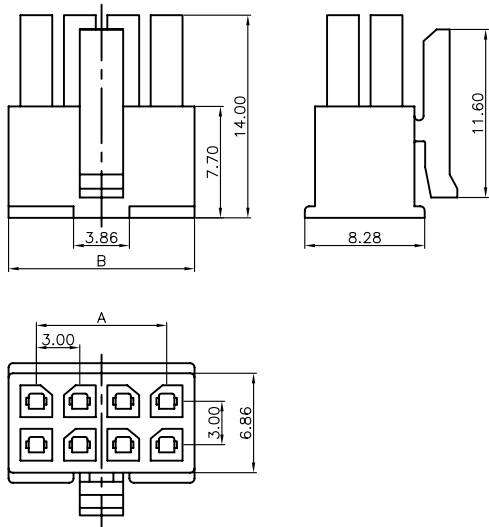
MALE



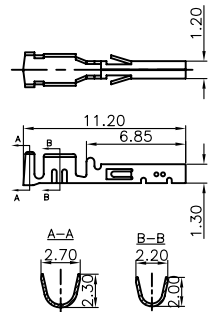
Male TERMINAL



FEMALE



Female TERMINAL



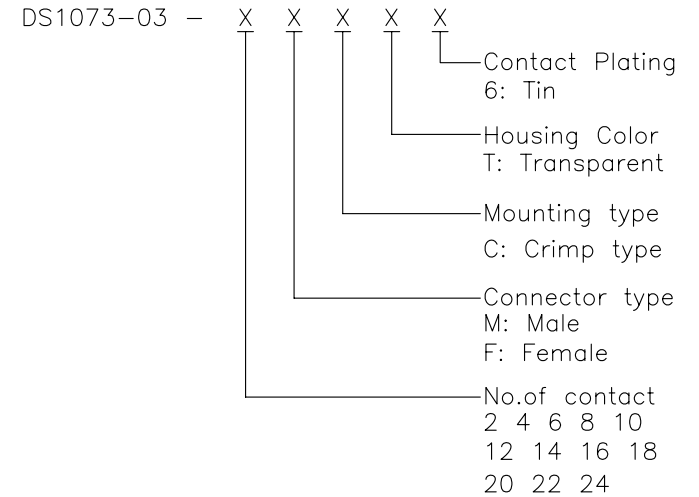
REV.	DESCRIPTION	DRAWN	CHECKED	APPROVED
A	NEW RELEASE	LL 07/07/06'		

NOTES:

1. MAIN SPECIFICATIONS

- . Housing material: NYLON
- . Rated voltage: 250V
- . Rated current: 3A
- . Contact resistance: $\leq 100m\Omega$
- . Insulation resistance: $\geq 1000M\Omega$
- . Withstanding voltage: 500V,AC 1 minute
- . Temperature range: $-45 \sim +110^{\circ}C$

2. PRODUCT NUMBER CODE:



POS	2	4	6	8	10	12	14	16	18	20	22	24
A	3.00	6.00	9.00	12.0	15.0	18.0	21.0	24.0	27.0	30.0	33.0	33.0
B	3.85	6.85	9.85	12.85	15.85	18.85	21.85	24.85	27.85	30.85	33.85	36.85

GENERAL TOLERANCE	ANGLE TOLERANCE	PROJECTION	TITLE
X. ± 0.60	X. $\pm 5^{\circ}$		MICRO ATX CONNECTOR
.X ± 0.38	.X $\pm 3^{\circ}$	mm	PITCH 3.0mm Crimp Type
.XX ± 0.25	.XX $\pm 2^{\circ}$	A4	SERIES DS1073-03 SERIES
DRAWING TYPE	CUSTOMER		
SCALE	1:1 SHEET 1 OF 2		
DRAWING NO.	C-DS1073-03-XXXXX		

晨翔电子有限公司

CONNPLY CONNPLY ELECTRONIC CO., LTD