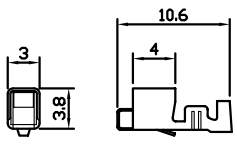


REV.	DESCRIPTION	DRAWN	CHECKED	APPROVED
A	NEW RELEASE	HP 29/06/05		

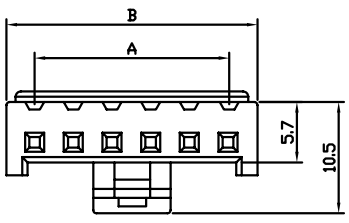
Female Terminal



Female Terminal

Wire Range		O.D of Wire
Section area mm <sup>2</sup>	AWG#	mm
0.33~0.83	22~18	1.7~3.0

Female Housing



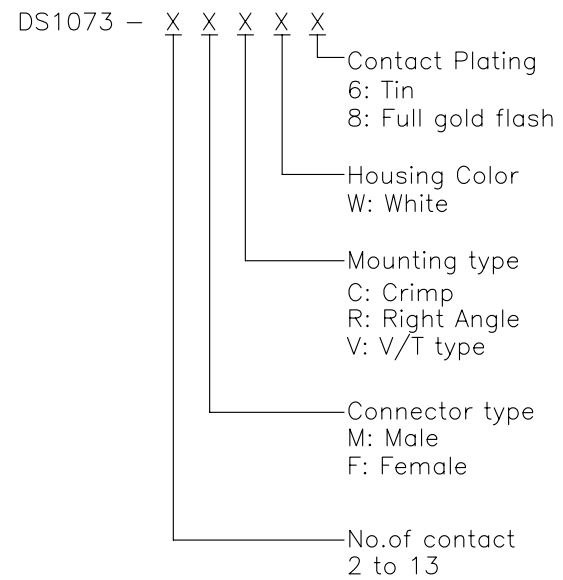
Female Housing

Position	Dimension	
	A	B
2	3.96	7.86
3	7.92	11.82
4	11.88	15.78
5	15.84	19.74
6	19.80	23.70
7	23.76	27.66
8	27.72	31.62
9	31.68	35.58
10	35.64	39.54
11	39.60	43.50
12	43.56	47.46
13	47.52	51.48

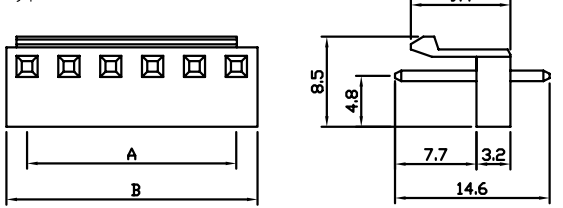
NOTES:

- MAIN SPECIFICATIONS
  - Housing material: NYLON 66
  - Wire range: AWG#22~#18
  - Rated voltage: 250V
  - Rated current: 1A
  - Contact resistance: ≤ 30mΩ
  - Insulation resistance: ≥ 1000MΩ
  - Withstanding voltage: 500V,AC 1 minute
  - Temperature range: -25 ~ +85°C
  - Recommend PC board thickness:1.6mm

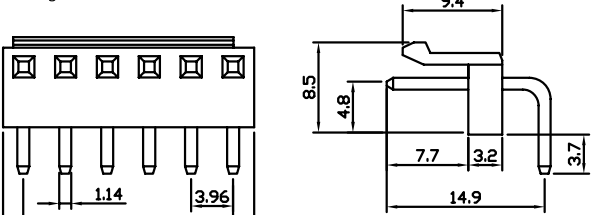
2. PRODUCT NUMBER CODE:



V/T Type



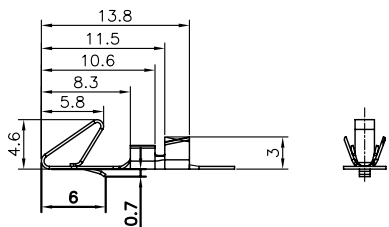
Right Angle



N=No. of contacts

GENERAL TOLERANCE	ANGLE TOLERANCE	PROJECTION	TITLE	P.C.B CONNECTOR 3.96mm VH	
X. ±0.60	X. ±5°	UNITS	mm	SHEET SIZE	A4
.X ±0.38	.X ±3°	SHEET SIZE	A4	SERIES	DS1073
.XX ±0.25	.XX ±2°	<b>晨翔电子有限公司</b> <b>CONNFLY CONNFLY ELECTRONIC CO. LTD</b>			
DRAWING TYPE	CUSTOMER				
SCALE	1:1 SHEET 1 OF 1				
DRAWING NO.	C-DS1073-XXXXX				

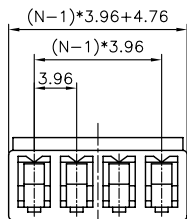
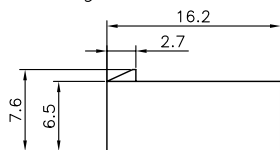
Female Terminal



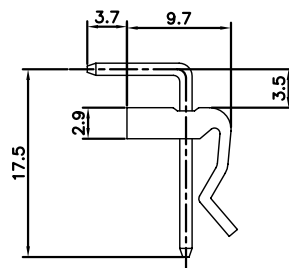
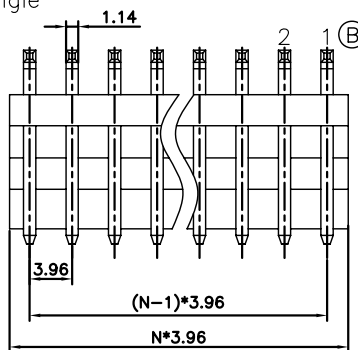
Female Terminal

Wire Range		O.D of Wire
Section Area (mm <sup>2</sup> )	AWG#	mm
0.2~0.75	24~18	1.3~2.8

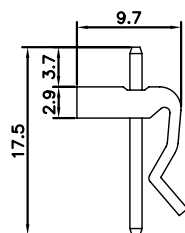
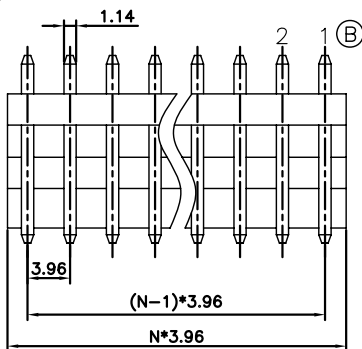
Female Housing



Male Right Angle



Male V/T TYPE



N=No. of contacts

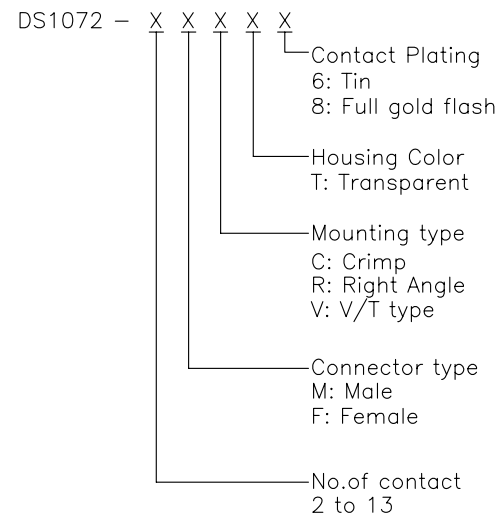
REV.	DESCRIPTION	DRAWN	CHECKED	APPROVED
A	NEW RELEASE	LL 10/09/06	~	LJC 10/09/06
B	增加pin数方向	LL 12/21/06		

NOTES:

1. MAIN SPECIFICATIONS

- . Housing material: NYLON 66
- . Wire range: AWG#24~#18
- . Rated voltage: 250V
- . Rated current: 1A
- . Contact resistance: ≤30mΩ
- . Insulation resistance: ≥1000MΩ
- . Withstanding voltage: 500V,AC 1 minute
- . Temperature range: -25 ~ +85°C
- . Recommend PC board thickness:1.6mm

2. PRODUCT NUMBER CODE:



GENERAL TOLERANCE	ANGLE TOLERANCE	PROJECTION	TITLE
X. ±0.60	X. ±5°	UNITS	P.C.B CONNECTOR Pitch 3.96mm
.X ±0.38	.X ±3°	SHEET SIZE	SERIES
.XX ±0.25	.XX ±2°	A4	DS1072
DRAWING TYPE	CUSTOMER	<b>晨翔电子有限公司</b> <b>CONNFLY CONNFLY ELECTRONIC CO. LTD</b>	
SCALE	1:1 SHEET 1 OF 1		
DRAWING NO.	C-DS1072-XXXXX		