

REV.	DESCRIPTION	DRAWN	CHECKED	APPROVED
A	NEW RELEASE	LL 06/16/06		

NOTES:

1. SPECIFICATIONS

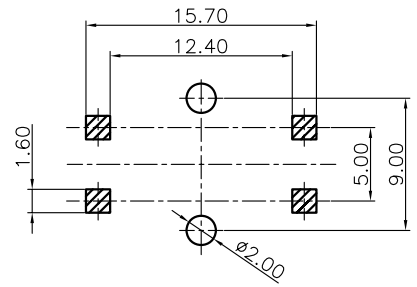
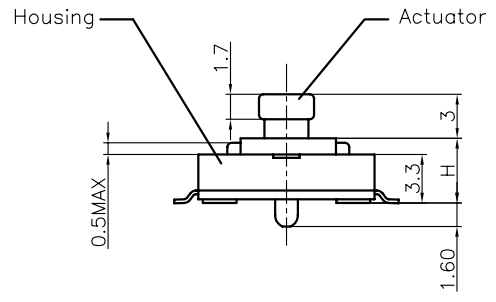
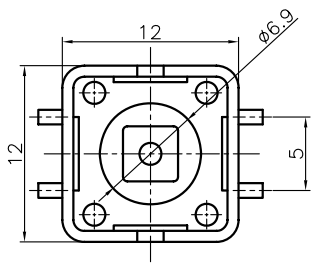
- . switch function: Single pole Single throw
- . contact rating: 50mA at 12vdc
- . insulation resistance:100MΩ min at 500vdc
- . contact resistance:100mΩ max
- . operating life:100,00 cycles

- . stop strength: place the switch such that vertical, a static load of 3kgf shall be applied in the direction of stem,operation for a period of 15 secs.
- . stroke: (6x6)0.25^{+0.2mm/-0.1mm}(12x12)0.35±0.1mm
- . operation temperature range: -20°C to 70°C
- . storage temperature range: -20°C to +70°C
- . wave soldering: recommended solder temperature at 500*f(260°C)max. 5 seconds,subject to PCB 1.6mm thickness.
- . hand soldering: usea soldering iron of 30 watts,controlled at 608*f(320°C)approximately 2 seconds while applying solder.

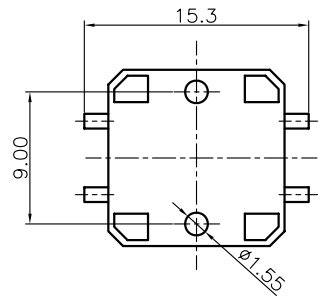
3. PRODUCT NUMBER CODE:

DS1042 - 01 - X X X X X

- Packing type
A: polybag
B: tube
R: tape on reel
- Actuator color
U: blue K: black N: brown R: red
S: Salmon Y: yellow
- Housing color
U: blue K: black N: brown R: red
S: Salmon Y: yellow
- Profile Height(DIM. H)
1:4.3mm 2:5.0mm 3:7.0mm
4:7.3mm 5:9.5mm 6:13.0mm
- Size
2:12mmX12mm



RECOMMEND PCB LAYOUT(Tolerance=±0.05)



GENERAL TOLERANCE		ANGLE TOLERANCE		PROJECTION		TITLE	
X. ±0.60	.X ±0.38	.X ±5°	.X ±3°	UNITS	mm	TACT SWITCH SMT TYPE	
.XX ±0.25		.XX ±2°		SHEET SIZE	A4	SERIES	DS1042-01
DRAWING TYPE		CUSTOMER		晨翔电子有限公司 CONNFLY CONNFLY ELECTRONIC CO. LTD			
SCALE	1:1	SHEET	1 OF 1				
DRAWING NO.	C-DS1042-01-XXXXXX						

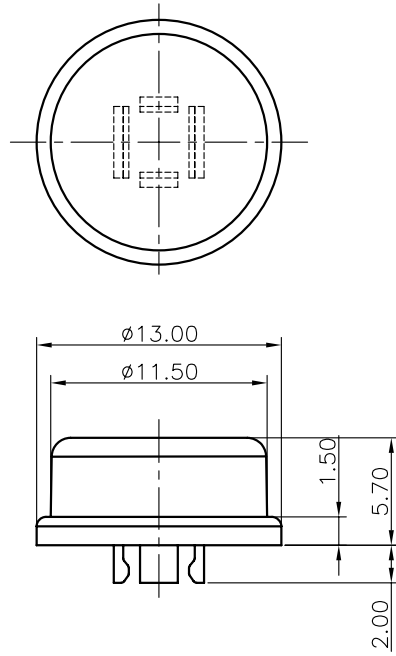
REV.	DESCRIPTION	DRAWN	CHECKED	APPROVED
A	NEW RELEASE	LJC 08/16/07'		

NOTES:

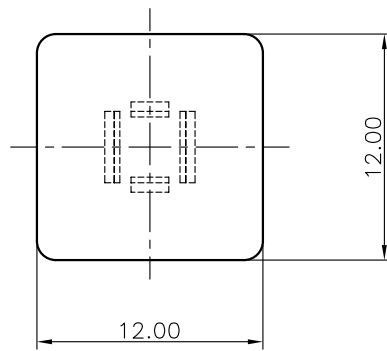
1. Material: ABS.
2. These Cover for switches are available in square and circle.
3. The color are available on request. Standard color is ivory.
4. Part Number Code:
DS1042-02 - X X

Color
R: red
U: blue
W: White
K: black
Y: yellow
N: brown
G: Green
S: Salmon

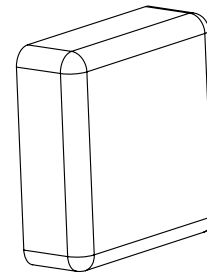
Cape Shape
C: Circle
F: Square



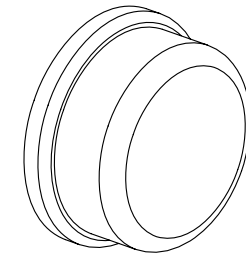
Circle



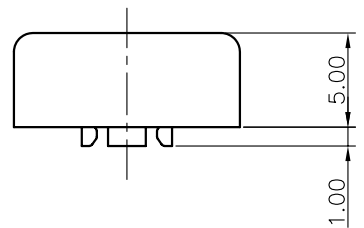
Square



Square



Circle



GENERAL TOLERANCE		ANGLE TOLERANCE		PROJECTION		TITLE	Switch Cover	
X.	±0.60	X.	±5°	UNITS	mm			
.X	±0.38	.X	±3°	SHEET SIZE	A4	SERIES	DS1042-02	
.XX	±0.25	.XX	±2°	晨翔电子有限公司 CONNFLY ELECTRONIC CO. LTD				
DRAWING TYPE		CUSTOMER						
SCALE	1:1	SHEET	1 OF 1					
DRAWING NO.		C-DS1042-02-XX						