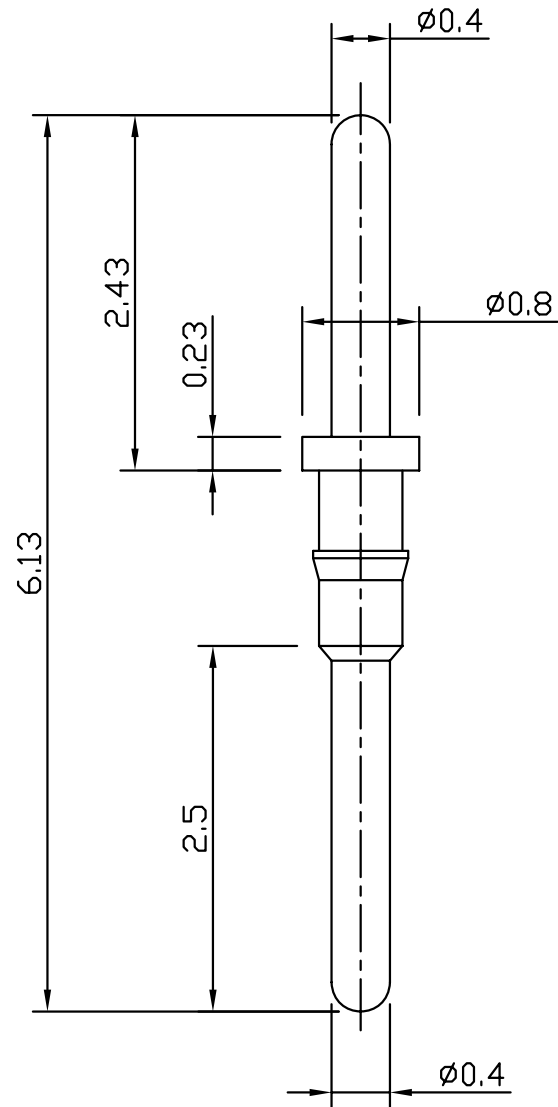


REV.	DESCRIPTION	DRAWN	CHECKED	APPROVED
A	NEW RELEASE	HP 07/07/05		



TECHNICAL DATA

- MATERIAL
 - . Pin: Brass, Machined, CuZn38Pb2
- ELECTRICAL
 - . Current Rating: 1A Per Pin max.
 - . Operating Voltage: 60V RMS max.
- PRODUCT NUMBER CODE:

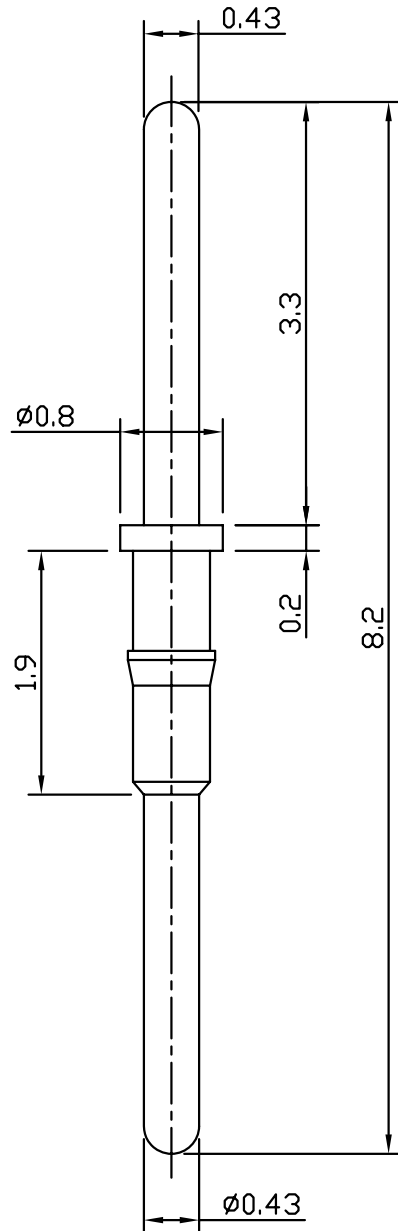
DS1006-01 - X

PIN PLATED
 6: Full Tin
 8: Full Gold flash
 C: Full Gold 3u"
 A: Full Gold 10u"
 B: Full Gold 15u"

SERIES NO
 DS1006-01

GENERAL TOLERANCE		ANGLE TOLERANCE		PROJECTION		TITLE	BOARD TO BOARD TERMINALS 6.13mm	
X.	±0.20	X.	±2°	UNITS	mm			
.X	±0.10	.X	±1°	SHEET SIZE	A4	SERIES	DS1006-01	
.XX	±0.05	.XX	±0.5°	晨翔电子有限公司 CONNFLY CONNFLY ELECTRONIC CO. LTD				
DRAWING TYPE		CUSTOMER						
SCALE		1:1	SHEET 1 OF 1					
DRAWING NO.		C-DS1006-01-X						

REV.	DESCRIPTION	DRAWN	CHECKED	APPROVED
A	NEW RELEASE	HP 07/07/05		



TECHNICAL DATA

- MATERIAL
 - Pin: Brass, Machined, CuZn38Pb2
- ELECTRICAL
 - Current Rating: 1A Per Pin max.
 - Contact Resistance: $\leq 20\text{m}\Omega/\text{Contact}$
- PRODUCT NUMBER CODE:

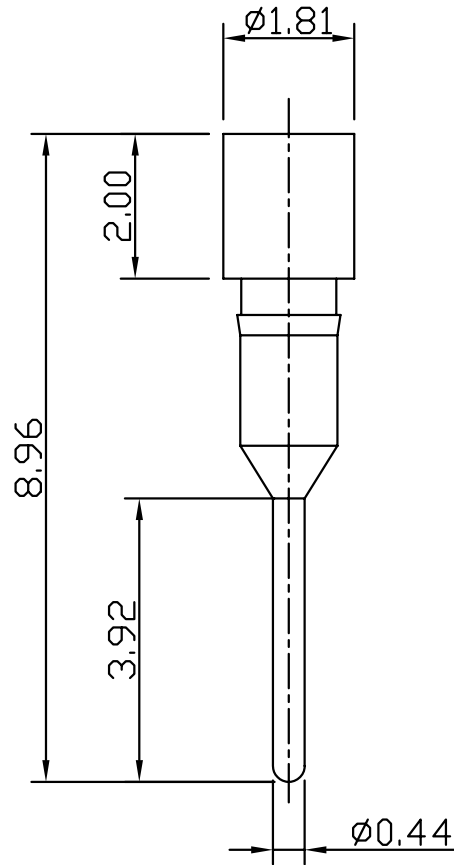
DS1006-02 - X

PIN PLATED
 6: Full Tin
 8: Full Gold flash
 C: Full Gold 3u"
 A: Full Gold 10u"
 B: Full Gold 15u"

SERIES NO
 DS1006-02

GENERAL TOLERANCE		ANGLE TOLERANCE		PROJECTION		TITLE	BOARD TO BOARD TERMINALS 8.20mm	
X.	± 0.20	X.	$\pm 2^\circ$	UNITS	mm			
.X	± 0.10	.X	$\pm 1^\circ$	SHEET SIZE	A4	SERIES	DS1006-02	
.XX	± 0.05	.XX	$\pm 0.5^\circ$					
DRAWING TYPE		CUSTOMER			晨翔电子有限公司 CONNFLY CONNFLY ELECTRONIC CO. LTD			
SCALE		1:1	SHEET	1 OF 1				
DRAWING NO.		C-DS1006-02-X						

REV.	DESCRIPTION	DRAWN	CHECKED	APPROVED
A	NEW RELEASE	HP 07/09/05		



TECHNICAL DATA

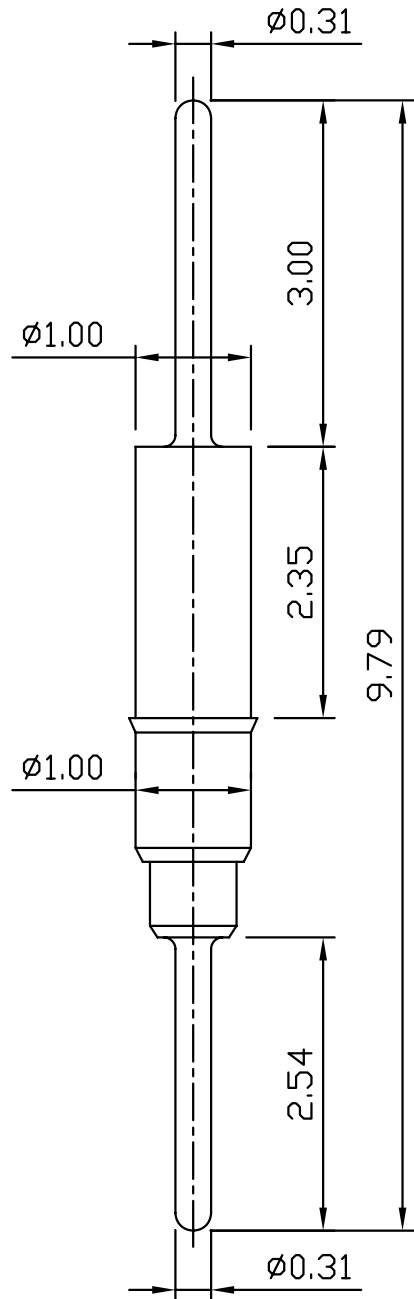
- MATERIAL
 - . Pin: Brass,Machined,CuZn38Pb2
- ELECTRICAL
 - . Current Rating: 3A Per Pin max.
 - . Operating Voltage: 60V max
- PRODUCT NUMBER CODE:

DS1006-06 - X

PIN PLATED
 6: Full Tin
 8: Full Gold flash
 C: Full Gold 3u"
 A: Full Gold 10u"
 B: Full Gold 15u"

SERIES NO
 DS1006-06

GENERAL TOLERANCE		ANGLE TOLERANCE		PROJECTION		TITLE	
X.	±0.20	X.	±2°	UNITS	mm	BOARD TO BOARD TERMINALS	
.X	±0.10	.X	±1°	SHEET SIZE	A4	SERIES	DS1006-06
.XX	±0.05	.XX	±0.5°	晨翔电子有限公司 CONNFLY CONNFLY ELECTRONIC CO. LTD			
DRAWING TYPE		CUSTOMER					
SCALE	1:1	SHEET	1 OF 1				
DRAWING NO.		C-DS1006-06-X					



REV.	DESCRIPTION	DRAWN	CHECKED	APPROVED
A	NEW RELEASE	HP 07/08/05		

TECHNICAL DATA

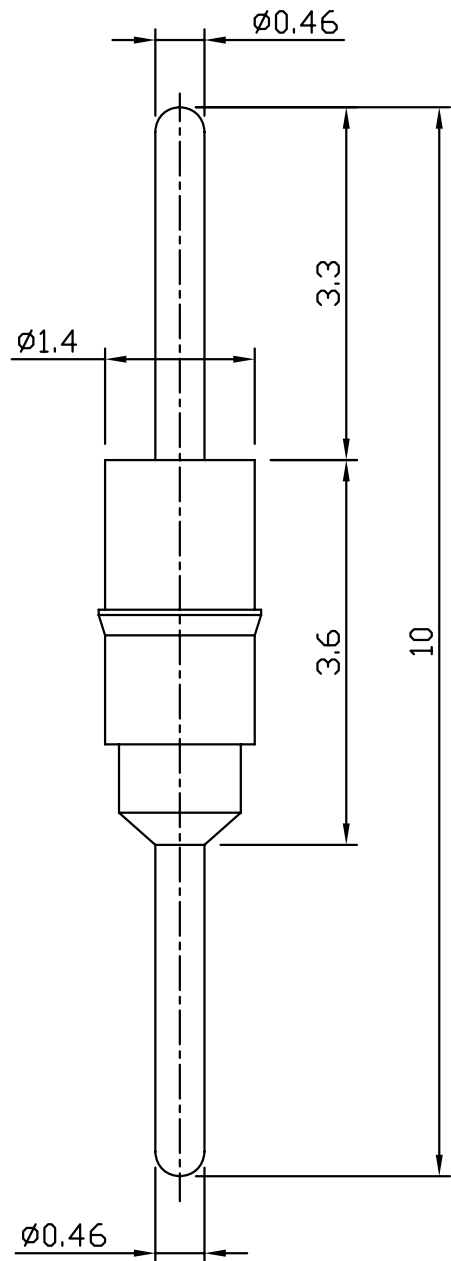
- MATERIAL
 - . Pin: Brass, Machined, CuZn38Pb2
- ELECTRICAL
 - . Current Rating: 1A Per Pin max.
 - . Contact Resistance: $\leq 20m\Omega$ /Contact
- PRODUCT NUMBER CODE:

DS1006-03 - X

PIN PLATED
 6: Full Tin
 8: Full Gold flash
 C: Full Gold 3u"
 A: Full Gold 10u"
 B: Full Gold 15u"

SERIES NO
 DS1006-03

GENERAL TOLERANCE		ANGLE TOLERANCE		PROJECTION		TITLE	BOARD TO BOARD TERMINALS 9.79mm			
X. ± 0.20	.X ± 0.10	.XX ± 0.05	X. $\pm 2^\circ$	UNITS	mm	SERIES	DS1006-03			
			.X $\pm 1^\circ$	SHEET SIZE	A4					
			.XX $\pm 0.5^\circ$			晨翔电子有限公司 CONNFLY CONNFLY ELECTRONIC CO. LTD				
DRAWING TYPE		CUSTOMER								
SCALE		1:1	SHEET	1 OF 1						
DRAWING NO.		C-DS1006-03-X								



REV.	DESCRIPTION	DRAWN	CHECKED	APPROVED
A	NEW RELEASE	HP 07/08/05		

TECHNICAL DATA

- MATERIAL
 - . Pin: Brass, Machined, CuZn38Pb2
- ELECTRICAL
 - . Current Rating: 3A Per Pin max.
 - . Operating Voltage: 60V max
- PRODUCT NUMBER CODE:

DS1006-05 - X

PIN PLATED
 6: Full Tin
 8: Full Gold flash
 C: Full Gold 3u"
 A: Full Gold 10u"
 B: Full Gold 15u"

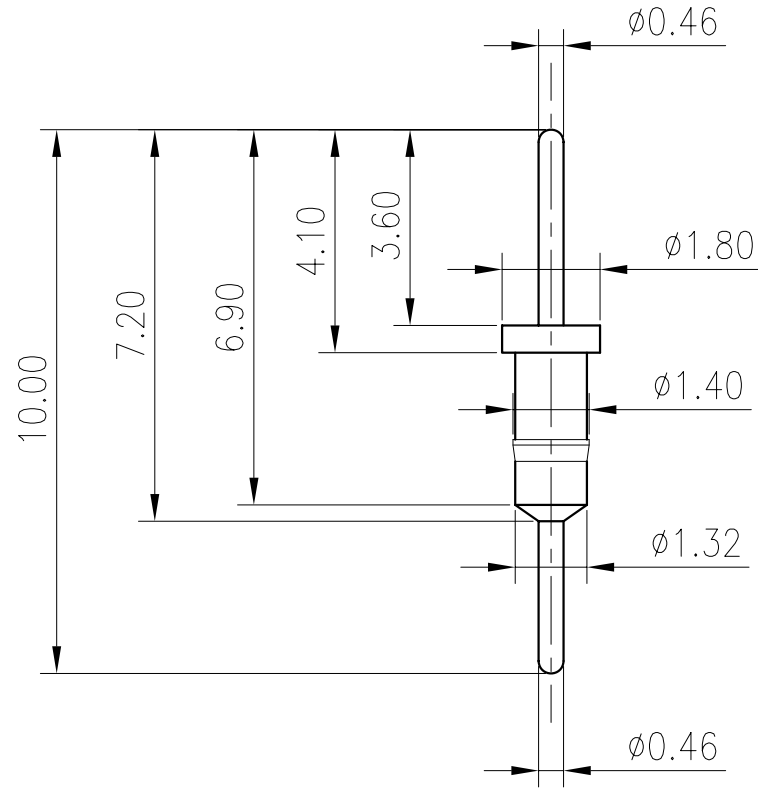
SERIES NO
 DS1006-05

GENERAL TOLERANCE		ANGLE TOLERANCE		PROJECTION		TITLE	BOARD TO BOARD TERMINALS 10.1mm	
X.	± 0.20	X.	$\pm 2^\circ$	UNITS	mm			
.X	± 0.10	.X	$\pm 1^\circ$	SHEET SIZE	A4	SERIES	DS1006-05	
.XX	± 0.05	.XX	$\pm 0.5^\circ$					
DRAWING TYPE		CUSTOMER			晨翔电子有限公司 CONNFLY CONNFLY ELECTRONIC CO. LTD			
SCALE		1:1	SHEET	1 OF 1				
DRAWING NO.		C-DS1006-05-X						

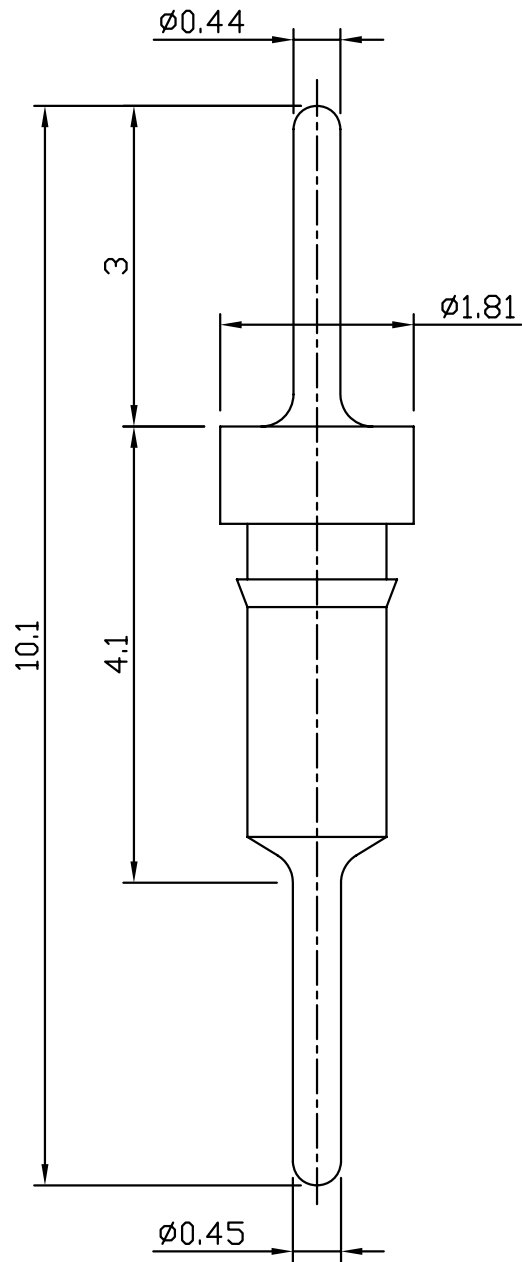
REV.	DESCRIPTION	DRAWN	CHECKED	APPROVED
A	NEW RELEASE	LL 07/23/06'		

NOTES:

- MATERIAL::
Brass,Machined,CuZn38Pb2
- ELECTRICAL
. Current Rating :1A Per Pin
. Operating Voltage : 60V Max
- Product Number Code:
DS1006-12 - X
Pin Plating
6: Full Tin
8: Full Gold Flash



GENERAL TOLERANCE		ANGLE TOLERANCE		PROJECTION		TITLE	BOARD TO BOARD TERMINALS 10.00mm
X.	±0.20	X.	±2°	UNITS	mm		
.X	±0.10	.X	±1°	SHEET SIZE	A4	SERIES	DS1006-12 SERIES
.XX	±0.05	.XX	±0.5°	晨翔电子有限公司 CONNFLY CONNFLY ELECTRONIC CO. LTD			
DRAWING TYPE		CUSTOMER					
SCALE	1:1	SHEET	10F1				
DRAWING NO.		DS1006-12-X					



REV.	DESCRIPTION	DRAWN	CHECKED	APPROVED
A	NEW RELEASE	HP 07/08/05		

TECHNICAL DATA

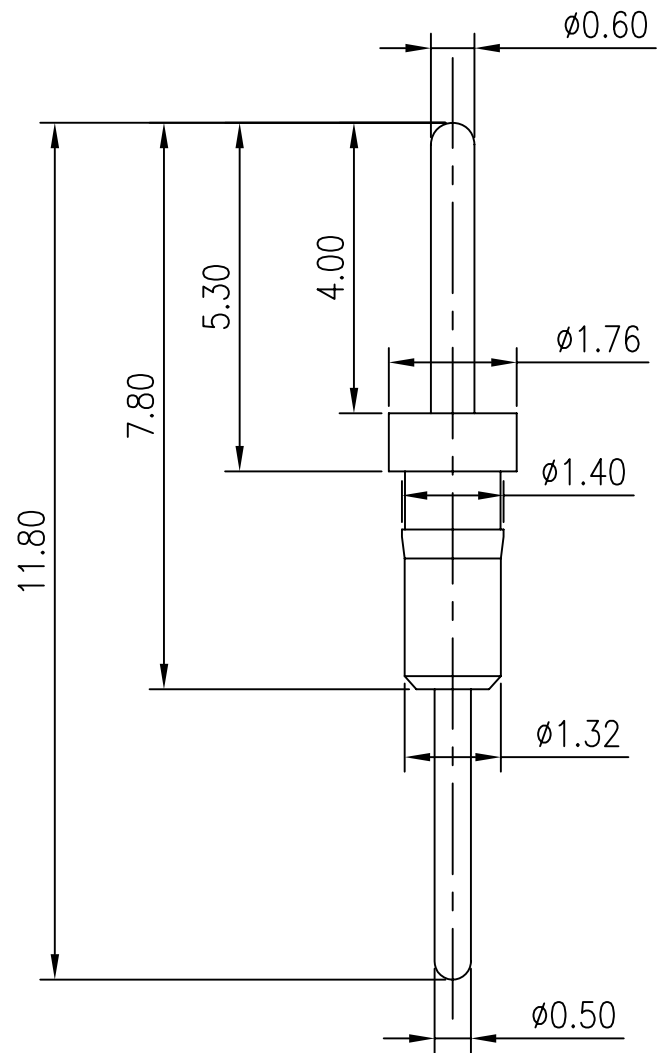
- MATERIAL
 - . Pin: Brass,Machined,CuZn38Pb2
- ELECTRICAL
 - . Current Rating: 3A Per Pin max.
 - . Operating Voltage: 60V max
- PRODUCT NUMBER CODE:

DS1006-04 - X

PIN PLATED
 6: Full Tin
 8: Full Gold flash
 C: Full Gold 3u"
 A: Full Gold 10u"
 B: Full Gold 15u"

SERIES NO
 DS1006-04

GENERAL TOLERANCE		ANGLE TOLERANCE		PROJECTION		TITLE	BOARD TO BOARD TERMINALS 10mm	
X.	±0.20	X.	±2°	UNITS	mm			
.X	±0.10	.X	±1°	SHEET SIZE	A4	SERIES	DS1006-04	
.XX	±0.05	.XX	±0.5°					
DRAWING TYPE		CUSTOMER			晨翔电子有限公司 CONNFLY CONNFLY ELECTRONIC CO. LTD			
SCALE		1:1	SHEET	1 OF 1				
DRAWING NO.		C-DS1006-04-X						



REV.	DESCRIPTION	DRAWN	CHECKED	APPROVED
A	NEW RELEASE	LJH 08/31/05		

Notes:

- MATERIAL
Brass, Machined, CuZn38Pb2
- ELECTRICAL
. Current Rating: 1A Per Pin max.
. Operating Voltage: 60V max

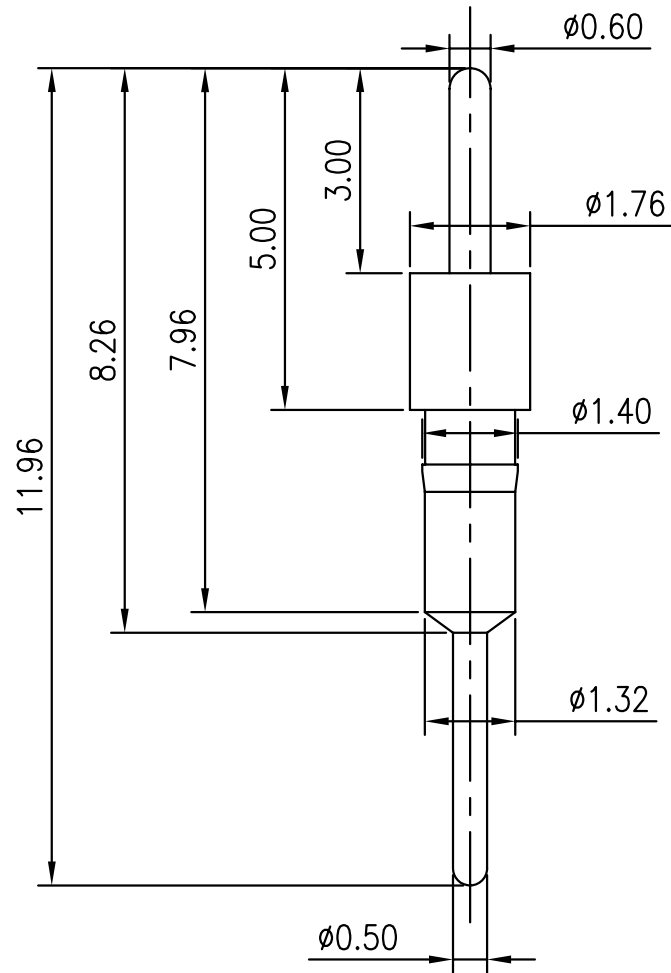
3. PRODUCT NUMBER CODE:

DS1006-10 - X

Pin Plating
6: Full Tin
8: Full gold flash

GENERAL TOLERANCE		ANGLE TOLERANCE		PROJECTION		TITLE	BOARD TO BOARD TERMINALS 11.80mm	
X.	±0.20	X.	±2°	UNITS	mm			
.X	±0.10	.X	±1°	SHEET SIZE	A4	SERIES	DS1006-10	
.XX	±0.05	.XX	±0.5°	晨翔电子有限公司 CONNFLY CONNFLY ELECTRONIC CO. LTD				
DRAWING TYPE		COMPONENTS						
SCALE	1:1	SHEET	1 OF 1					
DRAWING NO.		C-DS1006-10-X						

REV.	DESCRIPTION	DRAWN	CHECKED	APPROVED
A	NEW RELEASE	LJH 08/31/05		



Notes:

- MATERIAL
Brass, Machined, CuZn38Pb2
- ELECTRICAL
. Current Rating: 1A per pin.
. Operating Voltage: 60V max.

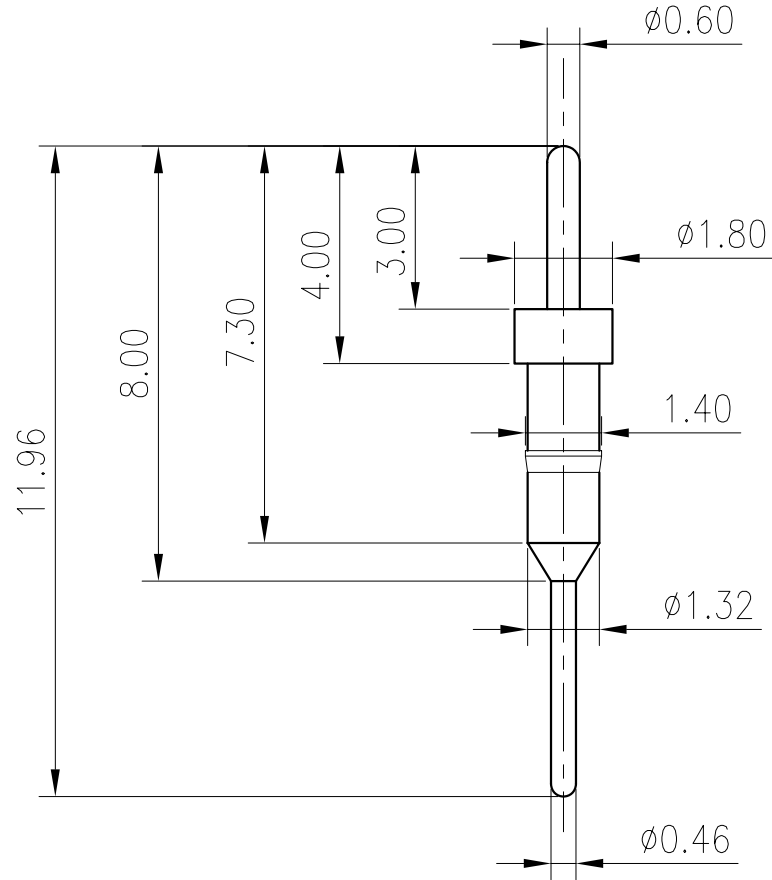
3. PRODUCT NUMBER CODE:

DS1006-11 - X

Pin plating
6: Full Tin
8: Full Gold Flash

GENERAL TOLERANCE		ANGLE TOLERANCE		PROJECTION		TITLE	BOARD TO BOARD TERMINALS 11.96mm	
X.	±0.20	X.	±2°	UNITS	mm			
.X	±0.10	.X	±1°	SHEET SIZE	A4	SERIES	DS1006-11	
.XX	±0.05	.XX	±0.5°	晨翔电子有限公司 CONNFLY CONNFLY ELECTRONIC CO. LTD				
DRAWING TYPE		COMPONENTS						
SCALE	1:1	SHEET	1 OF 1					
DRAWING NO.		DS1006-11-X						

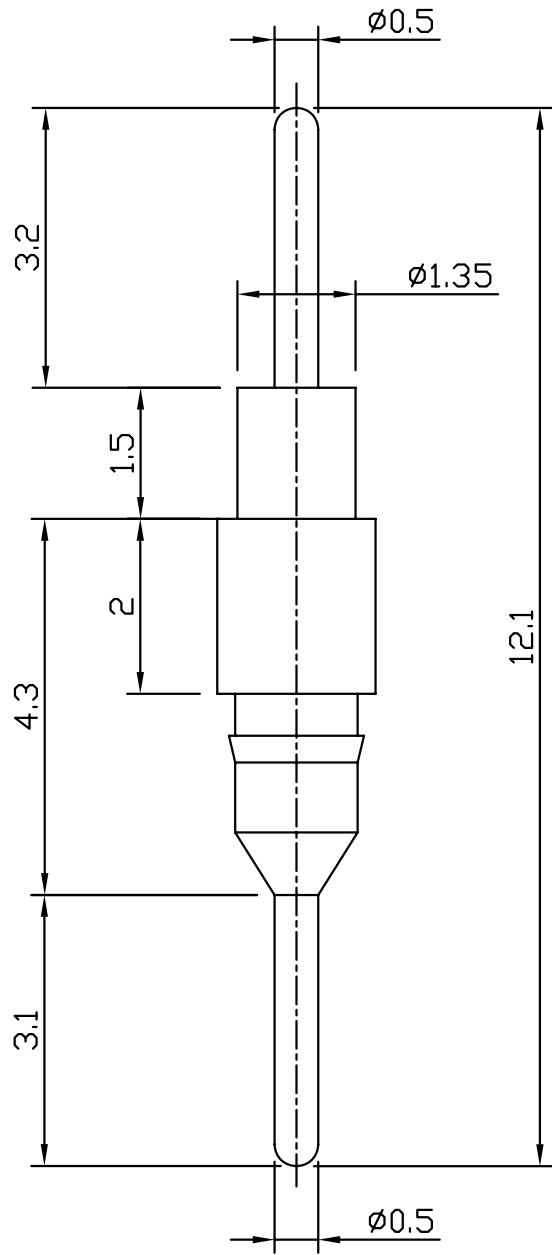
REV.	DESCRIPTION	DRAWN	CHECKED	APPROVED
A	NEW RELEASE	LL 07/23/06'		



NOTES:

- MATERIAL::
Brass, Machined, CuZn38Pb2
- ELECTRICAL
. Current Rating : 1A Per Pin
. Operating Voltage : 60V Max
- Product Number Code:
DS1006-13 - X
 - Pin Plating
 - 6: Full Tin
 - 8: Full Gold Flash

GENERAL TOLERANCE		ANGLE TOLERANCE		PROJECTION		TITLE	BOARD TO BOARD TERMINALS 11.96mm	
X.	±0.20	X.	±2°	UNITS	mm			
.X	±0.10	.X	±1°	SHEET SIZE	A4	SERIES	DS1006-13 SERIES	
.XX	±0.05	.XX	±0.5°			晨翔电子有限公司 CONNFLY CONNFLY ELECTRONIC CO. LTD		
DRAWING TYPE		CUSTOMER						
SCALE	1:1	SHEET	10F1					
DRAWING NO.		DS1006-13-X						



REV.	DESCRIPTION	DRAWN	CHECKED	APPROVED
A	NEW RELEASE	HP 07/08/05		

TECHNICAL DATA

- MATERIAL
 - . Pin: Brass,Machined,CuZn38Pb2
- ELECTRICAL
 - . Current Rating: 3A Per Pin max.
 - . Operating Voltage: 60V max
- PRODUCT NUMBER CODE:

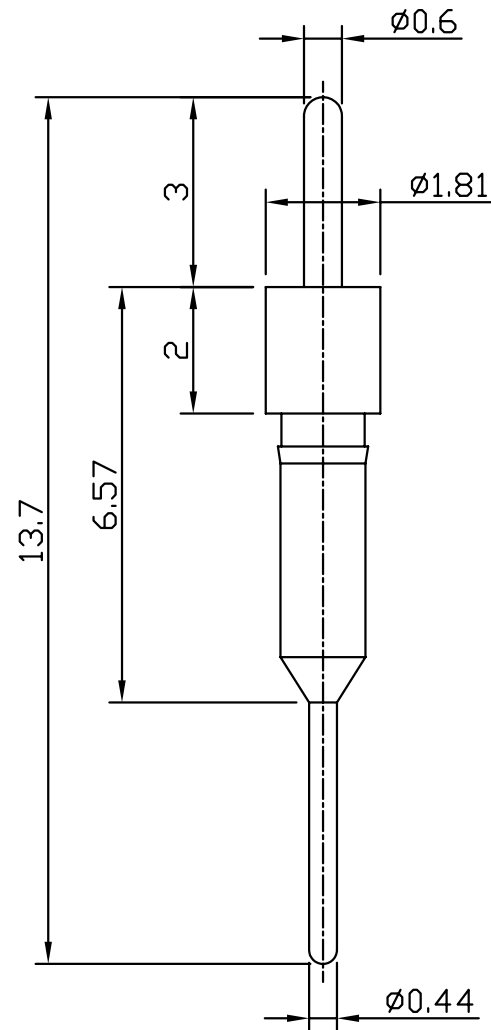
DS1006-07 - X

PIN PLATED
 6: Full Tin
 8: Full Gold flash
 C: Full Gold 3u"
 A: Full Gold 10u"
 B: Full Gold 15u"

SERIES NO
 DS1006-07

GENERAL TOLERANCE		ANGLE TOLERANCE		PROJECTION		TITLE	BOARD TO BOARD TERMINALS 12.1mm	
X.	±0.20	X.	±2°	UNITS	mm			
.X	±0.10	.X	±1°	SHEET SIZE	A4	SERIES	DS1006-07	
.XX	±0.05	.XX	±0.5°					
DRAWING TYPE		CUSTOMER			晨翔电子有限公司 CONNFLY CONNFLY ELECTRONIC CO. LTD			
SCALE		1:1	SHEET	1 OF 1				
DRAWING NO.		C-DS1006-07-X						

REV.	DESCRIPTION	DRAWN	CHECKED	APPROVED
A	NEW RELEASE	HP 07/09/05		



TECHNICAL DATA

- MATERIAL
 - . Pin: Brass, Machined, CuZn38Pb2
- ELECTRICAL
 - . Current Rating: 3A. Per Pin max.
 - . Operating Voltage: 60V max
- PRODUCT NUMBER CODE:

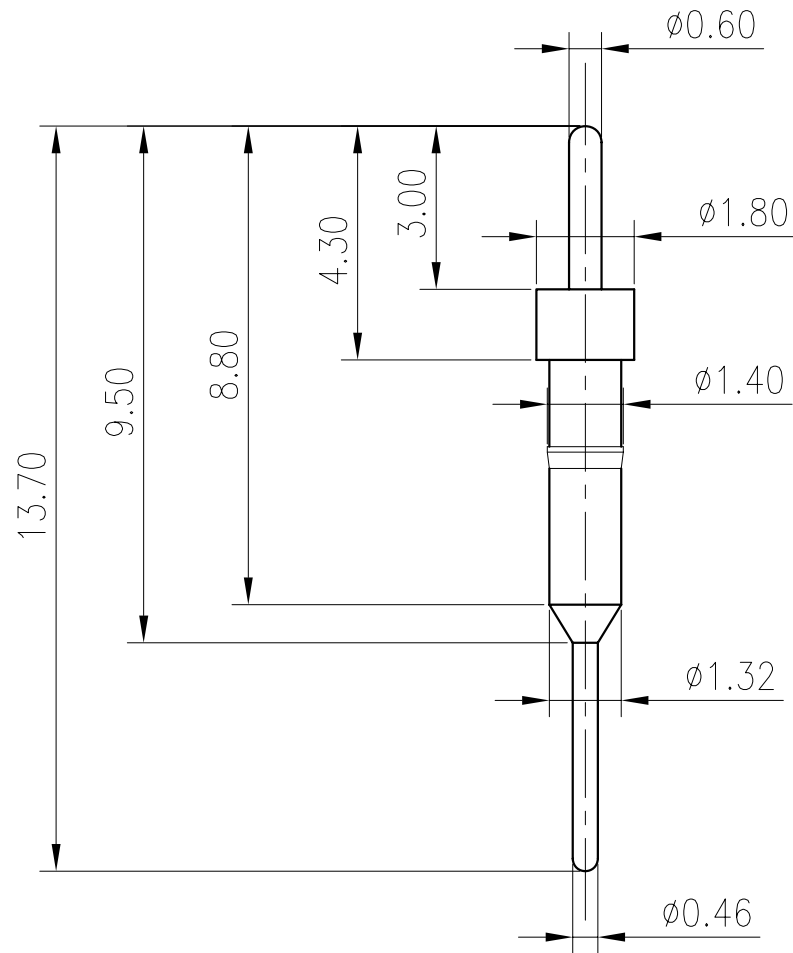
DS1006-08 - X

PIN PLATED
 6: Full Tin
 8: Full Gold flash
 C: Full Gold 3u"
 A: Full Gold 10u"
 B: Full Gold 15u"

SERIES NO
 DS1006-08

GENERAL TOLERANCE		ANGLE TOLERANCE		PROJECTION		TITLE	BOARD TO BOARD TERMINALS 13.7mm	
X.	±0.20	X.	±2°	UNITS	mm			
.X	±0.10	.X	±1°	SHEET SIZE	A4	SERIES	DS1006-08	
.XX	±0.05	.XX	±0.5°					
DRAWING TYPE		CUSTOMER			 晨翔电子有限公司 CONFLY CONFLY ELECTRONIC CO. LTD			
SCALE		1:1	SHEET	1 OF 1				
DRAWING NO.		C-DS1006-08-X						

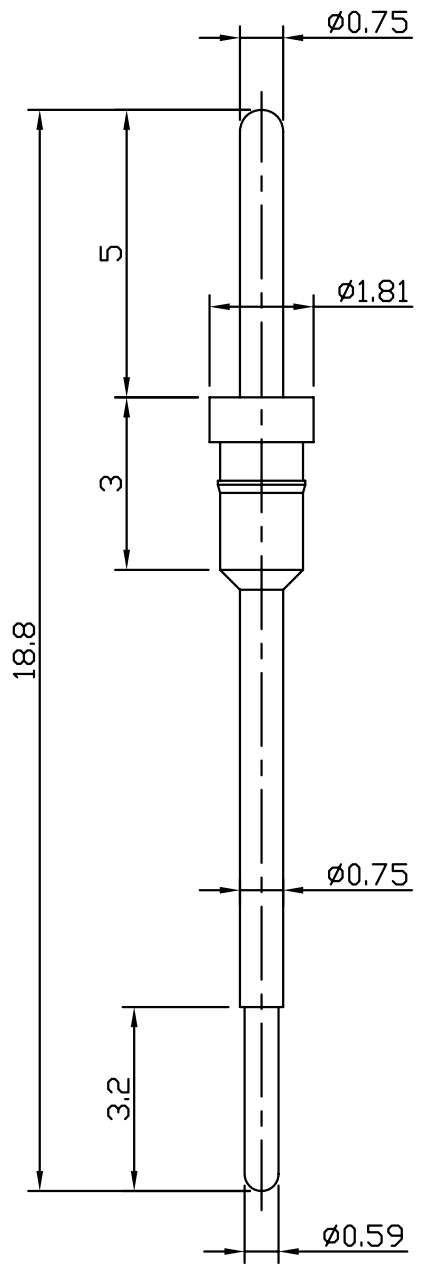
REV.	DESCRIPTION	DRAWN	CHECKED	APPROVED
A	NEW RELEASE	LL 07/23/06'		



NOTES:

- MATERIAL::
Brass, Machined, CuZn38Pb2
- ELECTRICAL
. Current Rating : 1A Per Pin
. Operating Voltage : 60V Max
- Product Number Code:
DS1006-14 - X
Pin Plating
6: Full Tin
8: Full Gold Flash

GENERAL TOLERANCE		ANGLE TOLERANCE		PROJECTION		TITLE	BOARD TO BOARD TERMINALS 13.70mm	
X.	±0.20	X.	±2°	UNITS	mm			
.X	±0.10	.X	±1°	SHEET SIZE	A4	SERIES	DS1006-14 SERIES	
.XX	±0.05	.XX	±0.5°	晨翔电子有限公司 CONNPLY CONNPLY ELECTRONIC CO. LTD				
DRAWING TYPE		CUSTOMER						
SCALE	1:1	SHEET	10F1					
DRAWING NO.		DS1006-14-X						



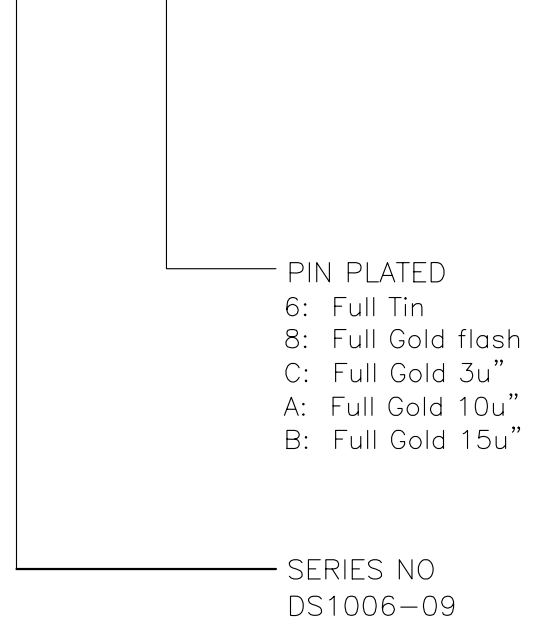
REV.	DESCRIPTION	DRAWN	CHECKED	APPROVED
A	NEW RELEASE	HP 07/09/05		

TECHNICAL DATA

- MATERIAL
 - Pin: Brass, Machined, CuZn38Pb2
- ELECTRICAL
 - Current Rating: 3A Per Pin max.
 - Operating Voltage: 60V max

3. PRODUCT NUMBER CODE:

DS1006-09 - X



GENERAL TOLERANCE		ANGLE TOLERANCE		PROJECTION		TITLE	BOARD TO BOARD TERMINALS 18.8mm	
X. ±0.20	.X ±0.10	.X ±2°	.X ±1°	UNITS	mm	SHEET	DS1006-09	
.XX ±0.05		.XX ±0.5°		SHEET SIZE	A4	SERIES		
DRAWING TYPE		CUSTOMER		晨翔电子有限公司 CONNFLY CONNFLY ELECTRONIC CO. LTD				
SCALE		1:1	SHEET 1 OF 1					
DRAWING NO.		C-DS1006-09-X						