

REV.	DESCRIPTION	DRAWN	CHECKED	APPROVED
A	NEW RELEASE	YCH 09/04/08'	~	

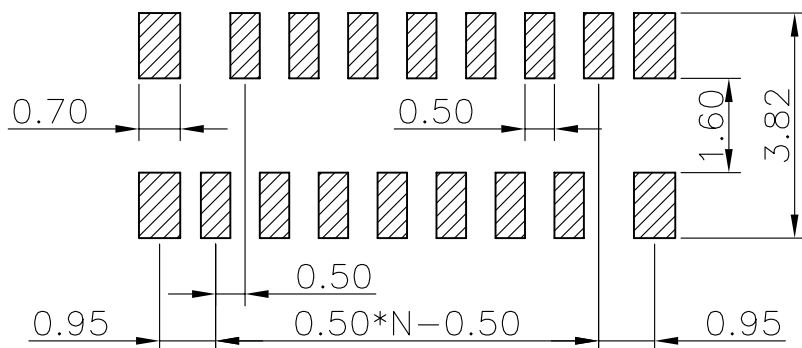
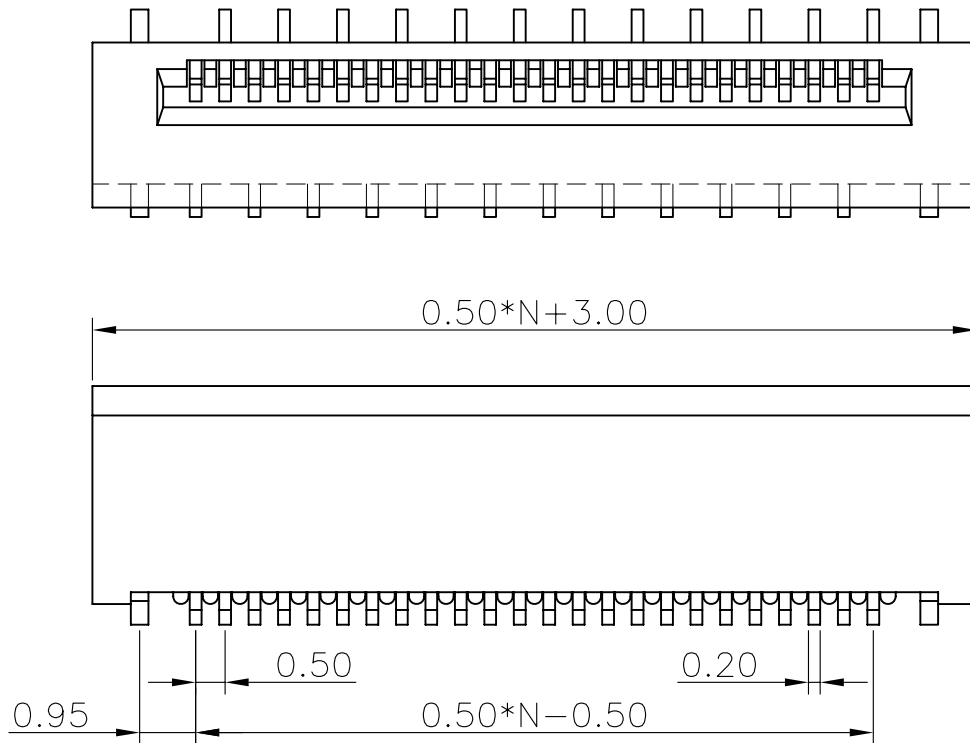
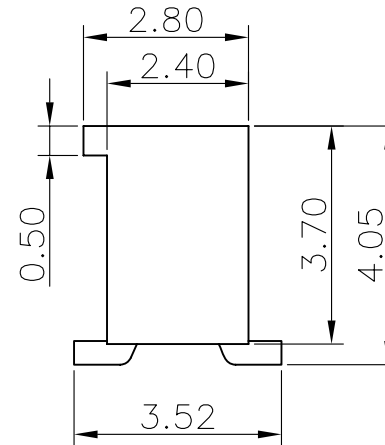
NOTES:

- MATERIAL
 - INSULATOR:THERMOPLASTIC(UL 94V-0).
 - CONTACT: COPPER ALLOY.
- SPECIFICATION
 - TEMPERATURE:-40~+105°C.
 - CONTACT RESISTANCE:30mΩ max.
 - INSULATION RESISTANCE:100MΩ min.
 - DIELECTRIC WITHSTANDING VOLTAGE:AC 100V PER MINUTE.

3. PART NUMBER: DS1020-10

4. PRODUCT NUMBER CODE:

DS1020-10- X X X
 CONTACT PLATING
 T1: TIN
 8: FULL GOLD FLASH
 HOUSING COLOR
 V:IVORY
 No. OF CONTACTS
 04~32



RECOMMEND PCB LAYOUT(TOLERANCE=±0.05)

GENERAL TOLERANCE		ANGLE TOLERANCE	
X.	±0.60	X.	±5°
.X	±0.38	.X	±3°
.XX	±0.25	.XX	±2°
DRAWING TYPE		CUSTOMER	
SCALE	1:1	SHEET	1 OF 1
DRAWING NO.	C-DS1020-10-XXX		

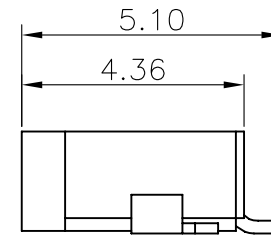
PROJECTION		TITLE	0.50mm FPC CONNECTOR
UNITS	mm		V/T SMT TYPE
SHEET SIZE	A4	SERIES	DS1020-10 SERIES

晨翔电子有限公司
CONNFLY CONNFLY ELECTRONIC CO. LTD

REV.	DESCRIPTION	DRAWN	CHECKED	APPROVED
A	NEW RELEASE	YCH 03/25/09'	~	

NOTES:

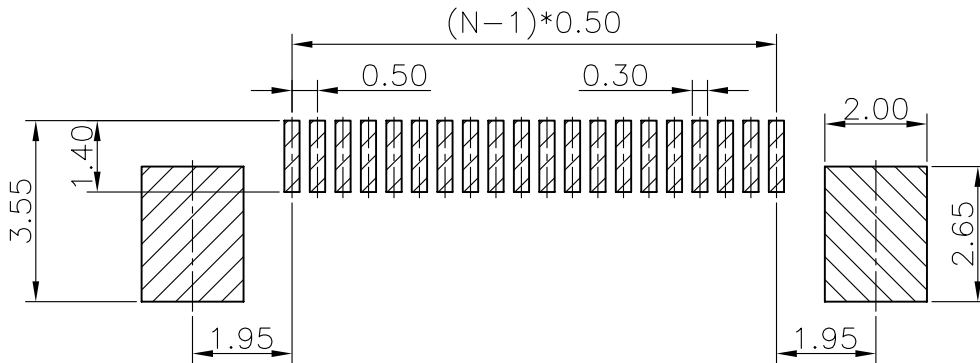
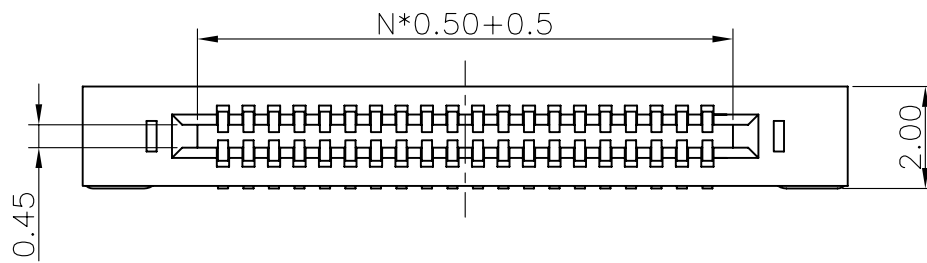
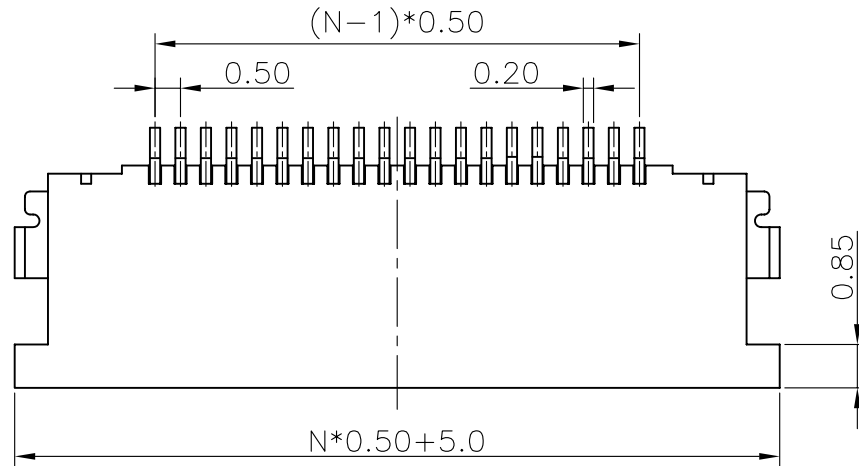
- MATERIAL
 - INSULATOR:THERMOPLASTIC(UL 94V-0).
 - CONTACT: COPPER ALLOY.
- SPECIFICATION
 - TEMPERATURE: $-40^{\circ}\text{C}\sim+105^{\circ}\text{C}$.
 - CONTACT RESISTANCE:30mΩ max.
 - INSULATION RESISTANCE:100MΩ min.
 - DIELECTRIC WITHSTANDING VOLTAGE:AC 100V PER MINUTE.
- PART NUMBER: DS1020-13
- PRODUCT NUMBER CODE:
DS1020-13- X X X



CONTACT PLATING
T1: TIN
8: FULL GOLD FLASH

HOUSING COLOR
V:IVORY

No. OF CONTACTS
10~50



RECOMMEND PCB LAYOUT(TOLERANCE= ± 0.05)

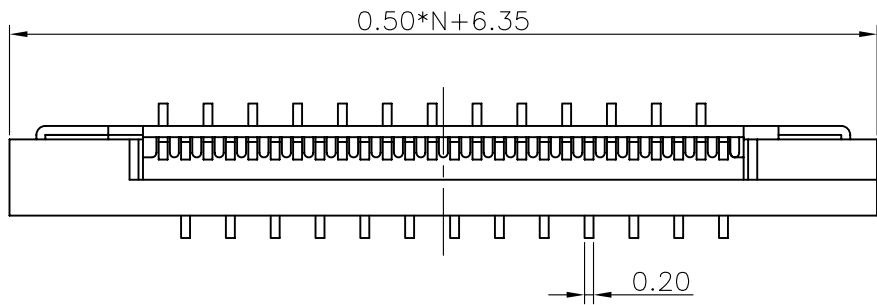
GENERAL TOLERANCE		ANGLE TOLERANCE	
X.	± 0.60	X.	$\pm 5^{\circ}$
.X	± 0.38	.X	$\pm 3^{\circ}$
.XX	± 0.25	.XX	$\pm 2^{\circ}$

DRAWING TYPE	CUSTOMER		
SCALE	1:1	SHEET	1 OF 1
DRAWING NO.	C-DS1020-13-XXX		

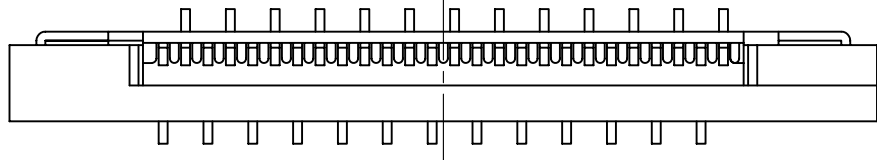
PROJECTION		TITLE	0.5mm FPC NON ZIF R/A SMT TYPE
UNITS	mm	SHEET SIZE	A4
SHEET SIZE	A4	SERIES	DS1020-13 SERIES

晨翔电子有限公司
CONNFLY CONNFLY ELECTRONIC CO. LTD

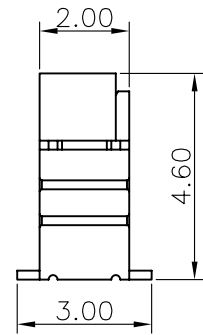
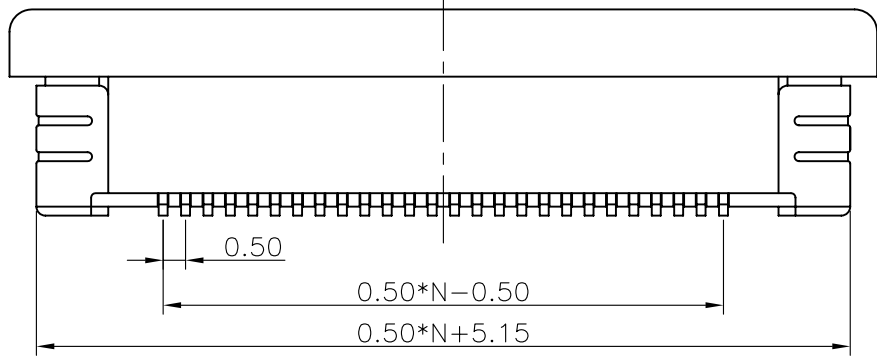
REV.	DESCRIPTION	DRAWN	CHECKED	APPROVED
A	NEW RELEASE	YCH 09/04/08'	~	



R1 TYPE



R2 TYPE



NOTES:

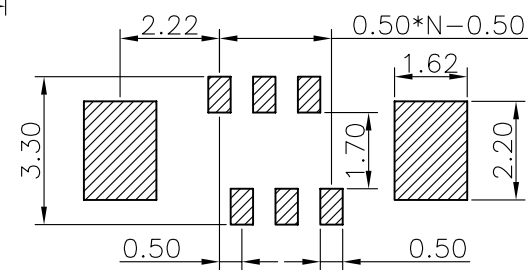
- MATERIAL
 - INSULATOR:THERMOPLASTIC(UL 94V-0).
 - CONTACT: COPPER ALLOY.
- SPECIFICATION
 - TEMPERATURE:-40°C~+105°C.
 - CONTACT RESISTANCE:30mΩ max.
 - INSULATION RESISTANCE:100MΩ min.
 - DIELECTRIC WITHSTANDING VOLTAGE:AC 100V PER MINUTE.

3. PART NUMBER: DS1020-08

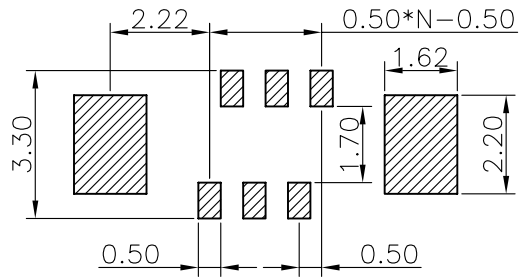
4. PRODUCT NUMBER CODE:

DS1020-08- X X X X X

- BEND TYPE
 - R1 TYPE
 - R2 TYPE
- CONTACT PLATING
 - T1: TIN
 - 8: FULL GOLD FLASH
- COVER COLOR
 - B:BLACK
- HOUSING COLOR
 - V:IVORY
- No. OF CONTACTS
 - 04~39



RECOMMEND PCB LAYOUT(for R1 type)
(TOLERANCE=±0.05)



RECOMMEND PCB LAYOUT(for R2 type)
(TOLERANCE=±0.05)

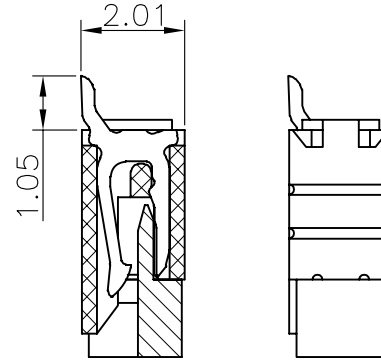
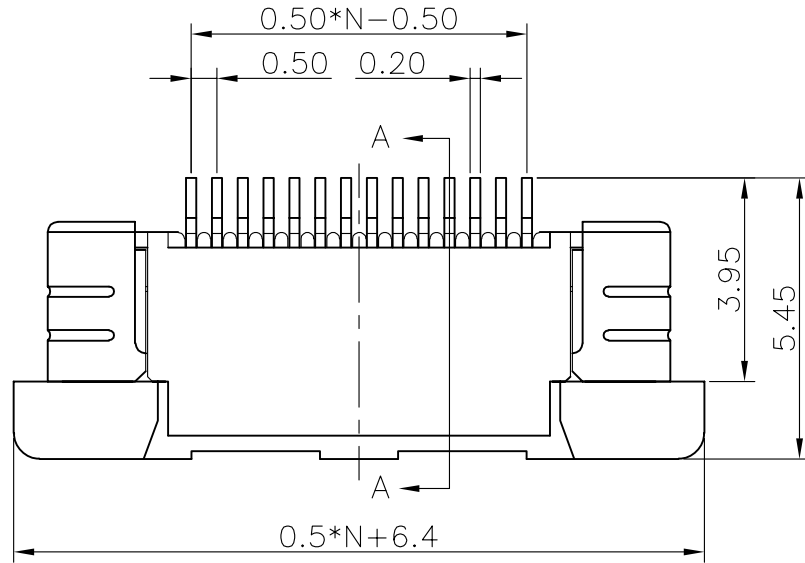
GENERAL TOLERANCE		ANGLE TOLERANCE		PROJECTION		TITLE	0.50mm FPC CONNECTOR	
X.	±0.60	X.	±5°	UNITS	mm	ZIF V/T SMT TYPE		
.X	±0.38	.X	±3°	SHEET SIZE	A4	SERIES	DS1020-08 SERIES	
.XX	±0.25	.XX	±2°	晨翔电子有限公司 CONNPLY ELECTRONIC CO. LTD				
DRAWING TYPE		CUSTOMER						
SCALE	1:1	SHEET	1 OF 1					
DRAWING NO.		C-DS1020-08-XXXXX						

REV.	DESCRIPTION	DRAWN	CHECKED	APPROVED
A	NEW RELEASE	YCH 09/04/08'	~	

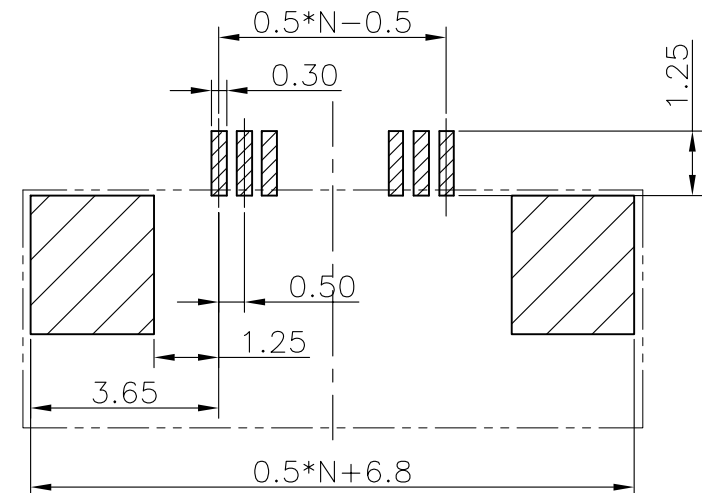
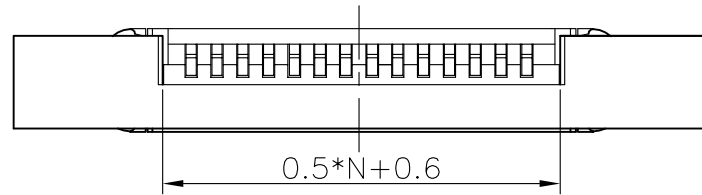
NOTES:

- MATERIAL
 - INSULATOR: THERMOPLASTIC (UL 94V-0).
 - CONTACT: COPPER ALLOY.
- SPECIFICATION
 - TEMPERATURE: $-40^{\circ}\text{C} \sim +105^{\circ}\text{C}$.
 - CONTACT RESISTANCE: $30\text{m}\Omega$ max.
 - INSULATION RESISTANCE: $100\text{M}\Omega$ min.
 - DIELECTRIC WITHSTANDING VOLTAGE: AC 100V PER MINUTE.
- PART NUMBER: DS1020-09
- PRODUCT NUMBER CODE: DS1020-09-XXXXXX

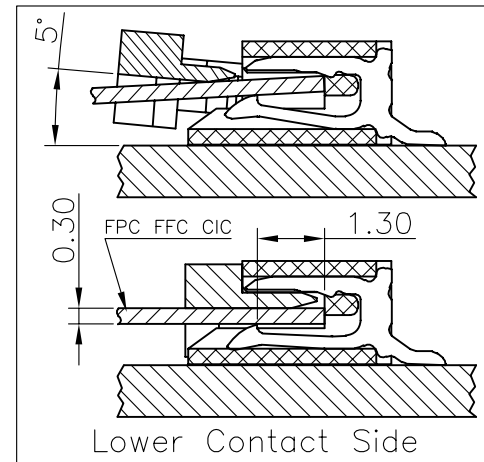
CONTACT TYPE
 A: LOWER CONTACT
 B: UPPER CONTACT
 CONTACT PLATING
 T1: TIN
 8: FULL GOLD FLASH
 COVER COLOR
 B: BLACK
 HOUSING COLOR
 V: IVORY
 No. OF CONTACTS
 04~64



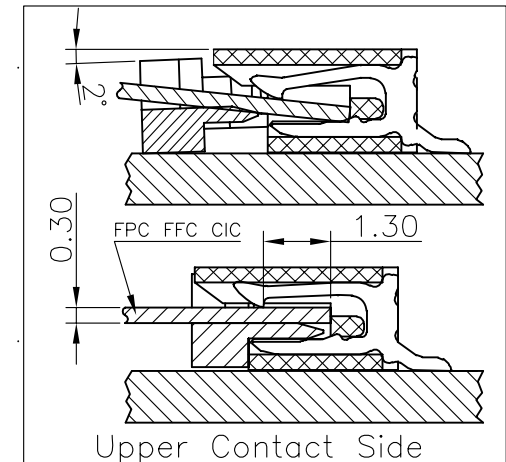
SECTION A-A



RECOMMEND PCB LAYOUT (TOLERANCE = ± 0.05)



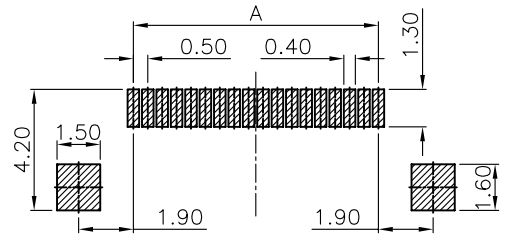
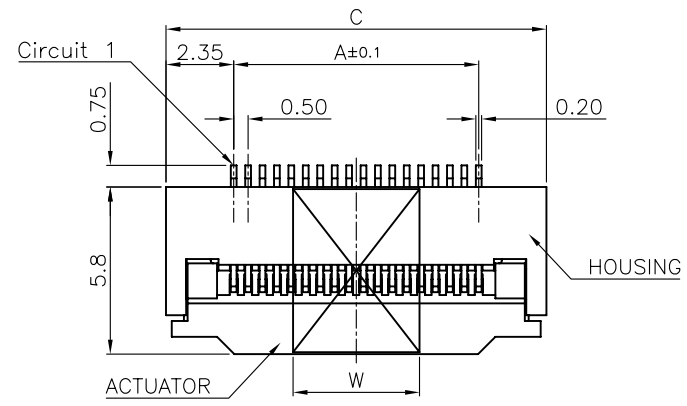
Lower Contact Side



Upper Contact Side

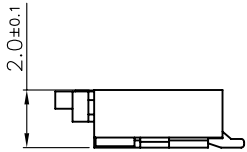
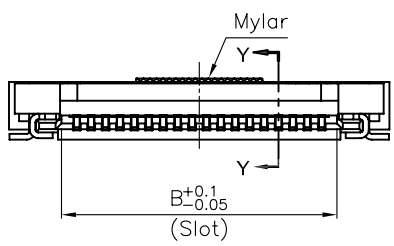
GENERAL TOLERANCE		ANGLE TOLERANCE		PROJECTION		TITLE	0.50mm FPC CONNECTOR	
X.	± 0.60	X.	$\pm 5^{\circ}$	UNITS	mm	R/A SMT TYPE		
.X	± 0.38	.X	$\pm 3^{\circ}$	SHEET SIZE	A4	SERIES	DS1020-09 SERIES	
.XX	± 0.25	.XX	$\pm 2^{\circ}$	晨翔电子有限公司 CONNPLY CONNPLY ELECTRONIC CO. LTD				
DRAWING TYPE		CUSTOMER						
SCALE	1:1	SHEET	1 OF 1					
DRAWING NO.		C-DS1020-09-XXXXX						

REV.	DESCRIPTION	DRAWN	CHECKED	APPROVED
A	NEW RELEASE	YCH 03/25/09'	~	



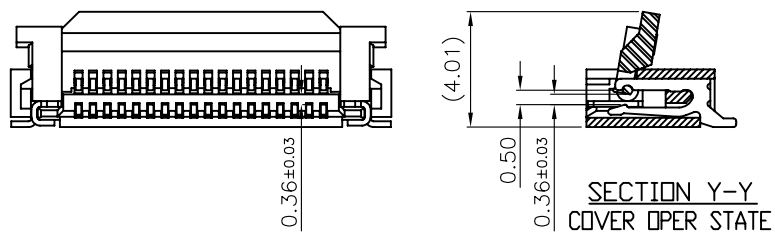
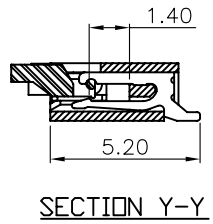
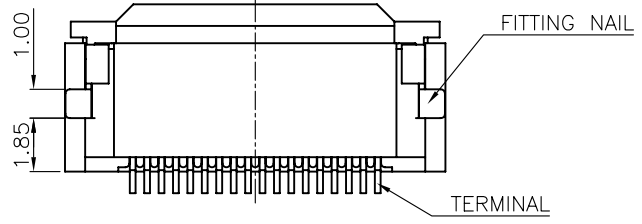
RECOMMEND PCB LAYOUT
(TOLERANCE=±0.05)

- NOTES:
- MATERIAL
 - INSULATOR:THERMOPLASTIC(UL 94V-0).
 - CONTACT: COPPER ALLOY.
 - SPECIFICATION
 - TEMPERATURE:-40°C ~ +105°C.
 - CONTACT RESISTANCE:30mΩ max.
 - INSULATION RESISTANCE:100MΩ min.
 - DIELECTRIC WITHSTANDING VOLTAGE:AC 100V PER MINUTE.
 - PART NUMBER: DS1020-11
 - PRODUCT NUMBER CODE:
DS1020-11- X X X X X X



CKT	DimA	DimB	DimC	CKT	DimA	DimB	DimC
4	1.50	2.56	6.2	33	16.00	17.06	20.7
5	2.00	3.06	6.7	34	16.50	17.56	21.2
6	2.50	3.56	7.2	35	17.00	18.06	21.7
7	3.00	4.06	7.7	36	17.50	18.56	22.2
8	3.50	4.56	8.2	37	18.00	19.06	22.7
9	4.00	5.06	8.7	38	18.50	19.56	23.2
10	4.50	5.56	9.2	39	19.00	20.06	23.7
11	5.00	6.06	9.7	40	19.50	20.56	24.2
12	5.50	6.56	10.2	41	20.00	21.06	24.7
13	6.00	7.06	10.7	42	20.50	21.56	25.2
14	6.50	7.56	11.2	43	21.00	22.06	25.7
15	7.00	8.06	11.7	44	21.50	22.56	26.2
16	7.50	8.56	12.2	45	22.00	23.06	26.7
17	8.00	9.06	12.7	46	22.50	23.56	27.2
18	8.50	9.56	13.2	47	23.00	24.06	27.7
19	9.00	10.06	13.7	48	23.50	24.56	28.2
20	9.50	10.56	14.2	49	24.00	25.06	28.7
21	10.00	11.06	14.7	50	24.50	25.56	29.2
22	10.50	11.56	15.2	51	25.00	26.06	29.7
23	11.00	12.06	15.7	52	25.50	26.56	30.2
24	11.50	12.56	16.2	53	26.00	27.06	30.7
25	12.00	13.06	16.7	54	26.50	27.56	31.2
26	12.50	13.56	17.2	55	27.00	28.06	31.7
27	13.00	14.06	17.7	56	27.50	28.56	32.2
28	13.50	14.56	18.2	57	28.00	29.06	32.7
29	14.00	15.06	18.7	58	28.50	29.56	33.2
30	14.50	15.56	19.2	59	29.00	30.06	33.7
31	15.00	16.06	19.7	60	29.50	30.56	34.2
32	15.50	16.56	20.2				

- PACKING TYPE
R: TAPE ON REEL
B: TUBE
- MYLAR SUPPORT
X: W/O MYLAR
S: W/ MYLAR
- CONTACT PLATING
T1: FULL TIN
8: FULL GOLD FLASH
- COVER COLOR
B:BLACK
- HOUSING COLOR
V:IVORY
- No. OF CONTACTS
04~60

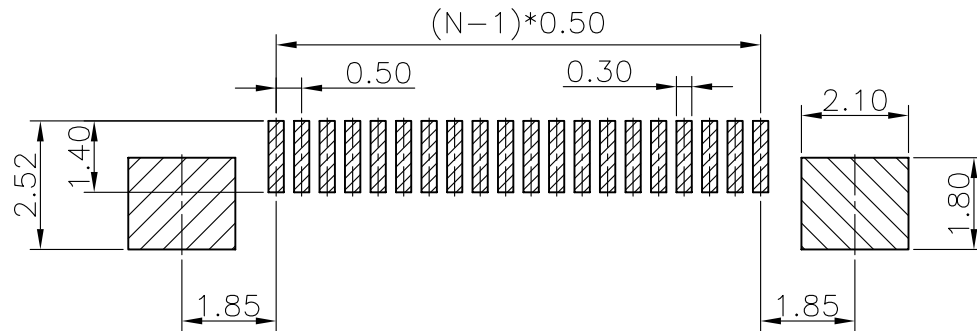
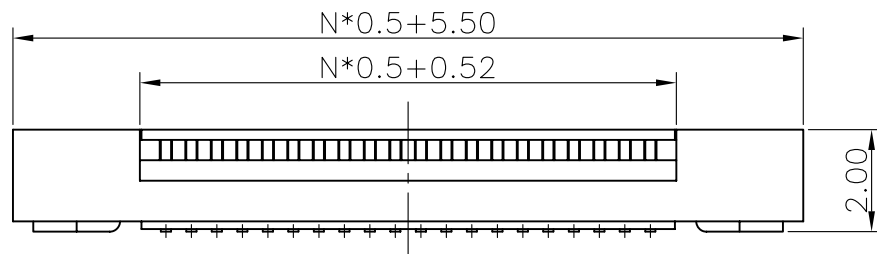
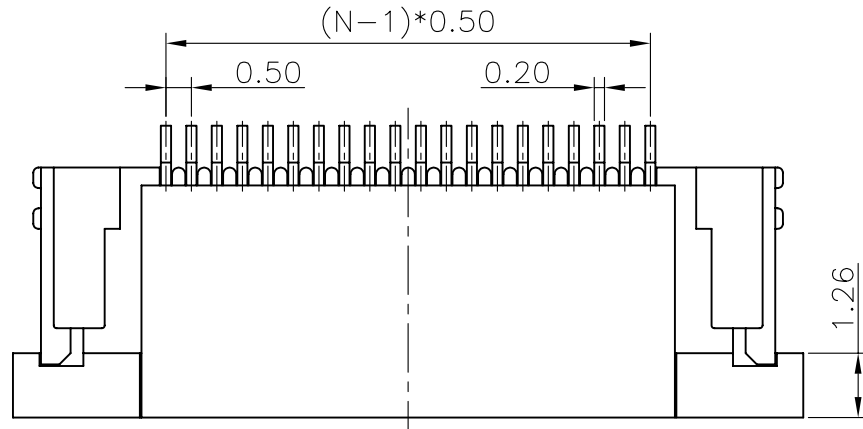


GENERAL TOLERANCE		ANGLE TOLERANCE	
X.	±0.60	X.	±5°
.X	±0.38	.X	±3°
.XX	±0.25	.XX	±2°
DRAWING TYPE		CUSTOMER	
SCALE		1:1 SHEET 1 OF 1	
DRAWING NO.		C-DS1020-11-XXXXXX	

PROJECTION		TITLE	0.5mm FPC ZIF SMT TYPE
UNITS	mm	SHEET	DS1020-11 SERIES
SHEET SIZE	A4	SERIES	DS1020-11 SERIES

晨翔电子有限公司
CONFLY CONFLY ELECTRONIC CO. LTD

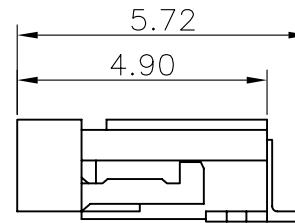
REV.	DESCRIPTION	DRAWN	CHECKED	APPROVED
A	NEW RELEASE	YCH 03/25/09'	~	



NOTES:

- MATERIAL
 - INSULATOR: THERMOPLASTIC (UL 94V-0).
 - CONTACT: COPPER ALLOY.
- SPECIFICATION
 - TEMPERATURE: $-40^{\circ}\text{C} \sim +105^{\circ}\text{C}$.
 - CONTACT RESISTANCE: 30mΩ max.
 - INSULATION RESISTANCE: 100MΩ min.
 - DIELECTRIC WITHSTANDING VOLTAGE: AC 100V PER MINUTE.
- PART NUMBER: DS1020-12
- PRODUCT NUMBER CODE:

DS1020-12- X X X X X



- CONTACT TYPE
- A: LOWER CONTACT
- B: UPPER CONTACT
- CONTACT PLATING
- T1: TIN
- 8: FULL GOLD FLASH
- COVER COLOR
- B: BLACK
- HOUSING COLOR
- V: IVORY
- No. OF CONTACTS
- 10~50

RECOMMEND PCB LAYOUT (TOLERANCE = ± 0.05)

GENERAL TOLERANCE		ANGLE TOLERANCE	
X.	± 0.60	X.	$\pm 5^{\circ}$
.X	± 0.38	.X	$\pm 3^{\circ}$
.XX	± 0.25	.XX	$\pm 2^{\circ}$

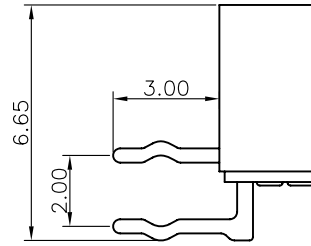
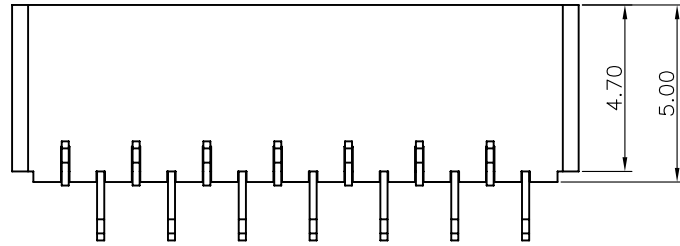
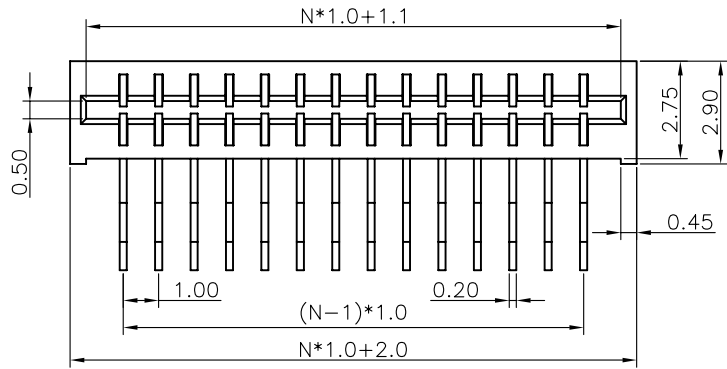
DRAWING TYPE	CUSTOMER		
SCALE	1:1	SHEET	1 OF 1
DRAWING NO.	C-DS1020-12-XXXX		

PROJECTION	TITLE
	0.5mm FPC UPPER CONTACT
UNITS	mm
SHEET SIZE	A4
SERIES	DS1020-12 SERIES



晨翔电子有限公司
CONNPLY CONNPLY ELECTRONIC CO. LTD

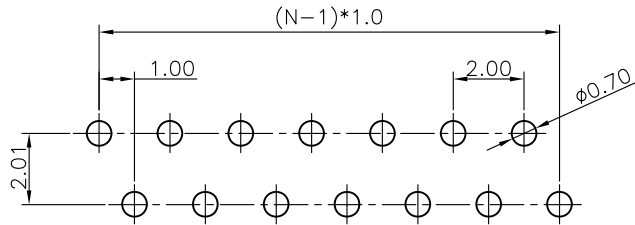
REV.	DESCRIPTION	DRAWN	CHECKED	APPROVED
A	NEW RELEASE	YCH 03/25/09'	~	



NOTES:

- MATERIAL
 - INSULATOR:THERMOPLASTIC(UL 94V-0).
 - CONTACT: COPPER ALLOY.
- SPECIFICATION
 - TEMPERATURE:-40°C ~ +105°C.
 - CONTACT RESISTANCE:30mΩ max.
 - INSULATION RESISTANCE:100MΩ min.
 - DIELECTRIC WITHSTANDING VOLTAGE:AC 100V PER MINUTE.
- PART NUMBER: DS1020-15
- PRODUCT NUMBER CODE:
DS1020-15- X X X

CONTACT PLATING
T1: TIN
8: FULL GOLD FLASH
HOUSING COLOR
N: BROWN
No. OF CONTACTS
10~50



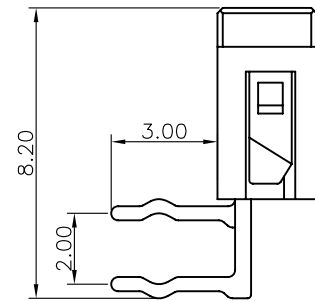
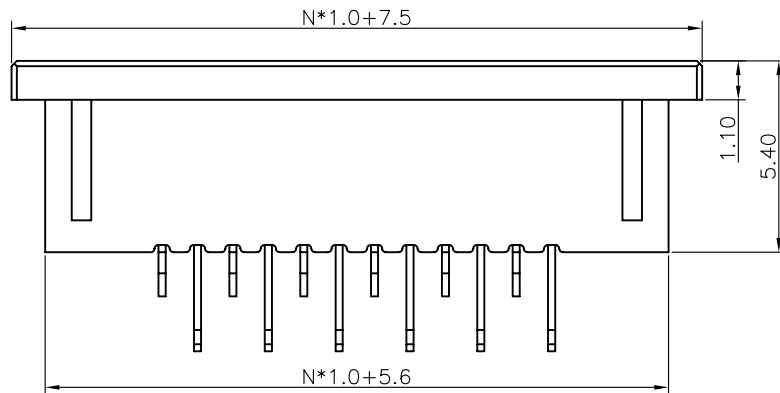
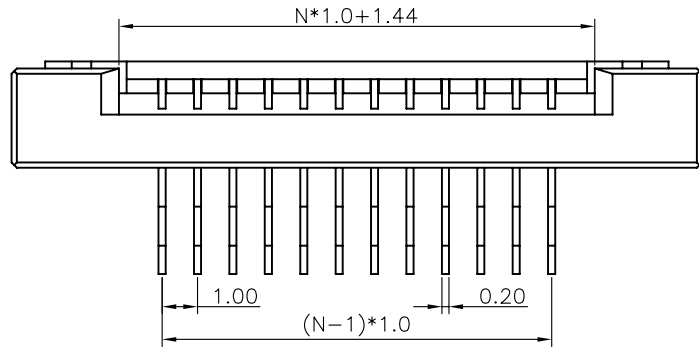
RECOMMEND PCB LAYOUT(TOLERANCE=±0.05)

GENERAL TOLERANCE		ANGLE TOLERANCE		PROJECTION	TITLE	
X.	±0.60	X.	±5°		1.0mm FPC	
.X	±0.38	.X	±3°	mm	NON ZIF R/A TYPE	
.XX	±0.25	.XX	±2°	A4	SHEET SIZE	
DRAWING TYPE				CUSTOMER	SERIES	DS1020-15 SERIES
SCALE		1:1	SHEET		1 OF 1	
DRAWING NO.		C-DS1020-15-XXX				



晨翔电子有限公司
CONNPLY CONNPLY ELECTRONIC CO. LTD

REV.	DESCRIPTION	DRAWN	CHECKED	APPROVED
A	NEW RELEASE	YCH 03/25/09'	~	

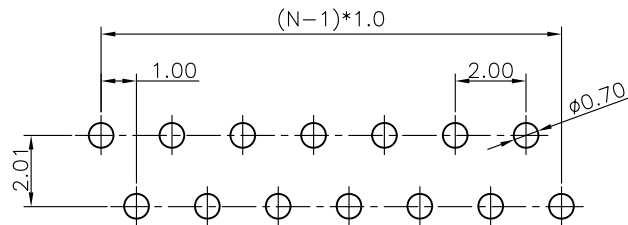


NOTES:

- MATERIAL
 - INSULATOR:THERMOPLASTIC(UL 94V-0).
 - CONTACT: COPPER ALLOY.
- SPECIFICATION
 - TEMPERATURE:-40°C~+105°C.
 - CONTACT RESISTANCE:30mΩ max.
 - INSULATION RESISTANCE:100MΩ min.
 - DIELECTRIC WITHSTANDING VOLTAGE:AC 100V PER MINUTE.
- PART NUMBER: DS1020-16
- PRODUCT NUMBER CODE:

DS1020-16- X X X X

- CONTACT PLATING
- T1: TIN
- 8: FULL GOLD FLASH
- COVER COLOR
- N: BROWN
- HOUSING COLOR
- B: BLACK
- No. OF CONTACTS
- 10~50



RECOMMEND PCB LAYOUT(TOLERANCE=±0.05)

GENERAL TOLERANCE		ANGLE TOLERANCE		PROJECTION	TITLE
X.	±0.60	X.	±5°		FPC CONNECTOR
.X	±0.38	.X	±3°	mm	PITCH 0.50mm ZIF S.M.T TYPE
.XX	±0.25	.XX	±2°	A4	SERIES DS1020-16 SERIES
DRAWING TYPE	CUSTOMER			晨翔电子有限公司 CONNFLY CONNFLY ELECTRONIC CO. LTD	
SCALE	1:1	SHEET	1 OF 1		
DRAWING NO.	C-DS1020-16-XXXX				

REV.	DESCRIPTION	DRAWN	CHECKED	APPROVED
A	NEW RELEASE	YCH 09/04/08'	~	

NOTES:

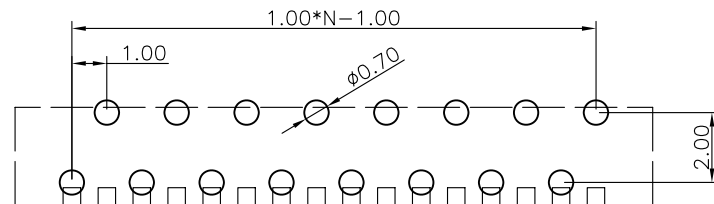
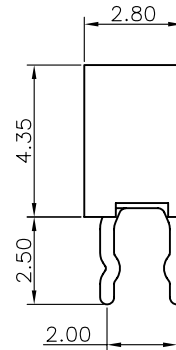
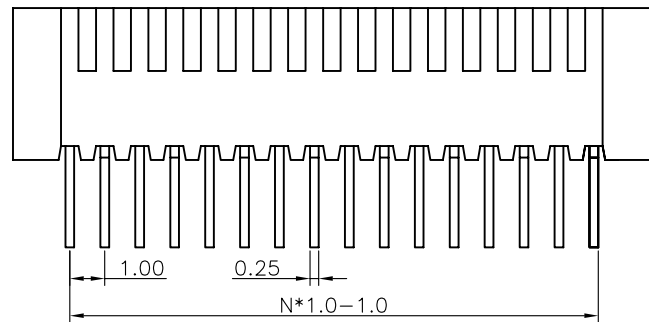
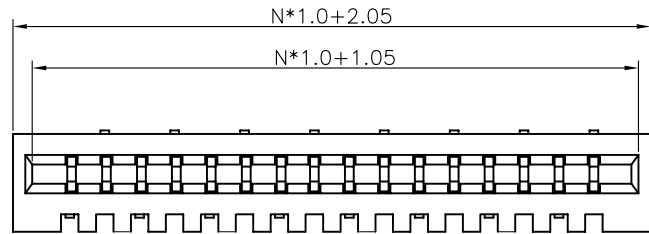
- MATERIAL
 - INSULATOR:THERMOPLASTIC(UL 94V-0).
 - CONTACT: COPPER ALLOY.
- SPECIFICATION
 - TEMPERATURE:-40°C~+105°C.
 - CONTACT RESISTANCE:20mΩ max.
 - INSULATION RESISTANCE:100MΩ min.
 - DIELECTRIC WITHSTANDING VOLTAGE:AC 100V PER MINUTE.

3. PART NUMBER: DS1020-04

4. PRODUCT NUMBER CODE:

DS1020-04- X X X X

- X CONTACT PLATING
- T1: TIN
- 8: FULL GOLD FLASH
- MOUNTING TYPE
- V: V/T TYPE
- HOUSING COLOR
- B:BLACK
- No. OF CONTACTS
- 02~27



RECOMMEND PCB LAYOUT
(TOLERANCE= ± 0.05)

GENERAL TOLERANCE		ANGLE TOLERANCE		PROJECTION	TITLE	1.00mm FPC CONNECTOR	
X.	± 0.60	X.	$\pm 5^\circ$			V/T TYPE	
.X	± 0.38	.X	$\pm 3^\circ$		UNITS	mm	
.XX	± 0.25	.XX	$\pm 2^\circ$		SHEET SIZE	A4	
DRAWING TYPE				CUSTOMER			
SCALE		1:1	SHEET		1 OF 1		
DRAWING NO.		C-DS1020-04-XXXX					

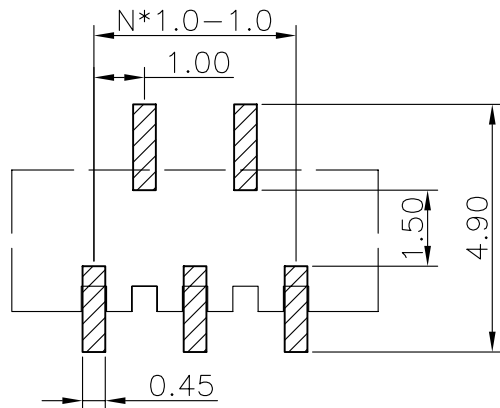
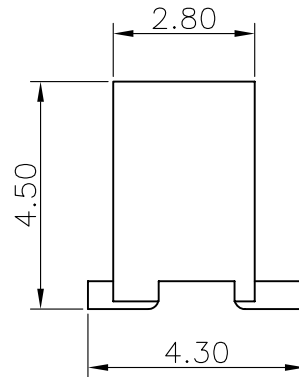
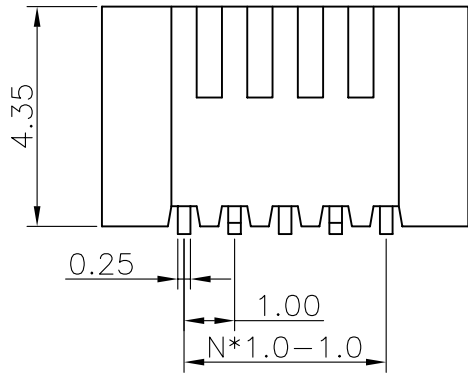
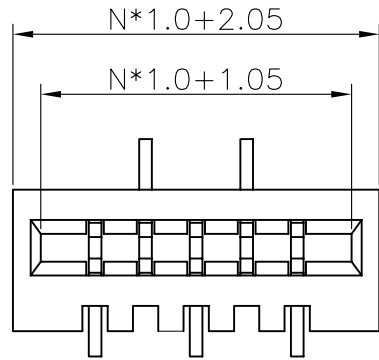


晨翔电子有限公司
CONNPLY CONNPLY ELECTRONIC CO. LTD

REV.	DESCRIPTION	DRAWN	CHECKED	APPROVED
A	NEW RELEASE	YCH 04/18/12'	~	

NOTES:

1. MATERIAL
 - 1.1 INSULATOR:THERMOPLASTIC(UL 94V-0).
 - 1.2 CONTACT: COPPER ALLOY.
2. SPECIFICATION
 - 2.1 TEMPERATURE:-40~+105°C.
 - 2.2 CONTACT RESISTANCE:20mΩ max.
 - 2.3 INSULATION RESISTANCE:100MΩ min.
 - 2.4 DIELECTRIC WITHSTANDING VOLTAGE:AC 100V PER MINUTE.
3. PART NUMBER: DS1020-05
4. PRODUCT NUMBER CODE:
 DS1020-05- X X X
 - X CONTACT PLATING
 - T1: TIN
 - 8: FULL GOLD FLASH
 - X HOUSING COLOR
 - B:BLACK
 - No. OF CONTACTS
 - 02~36



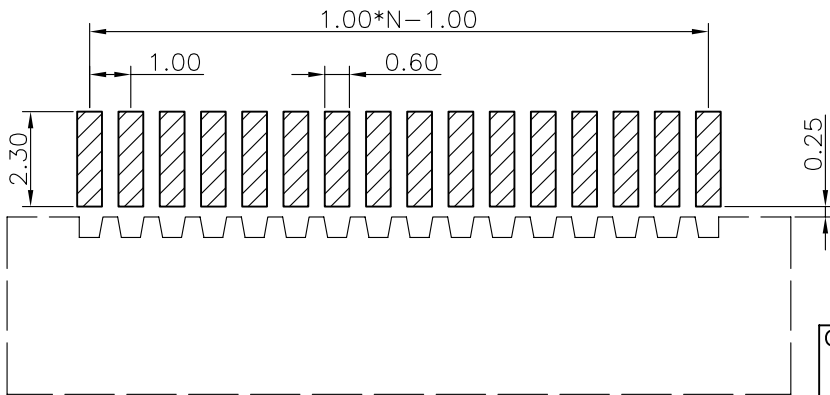
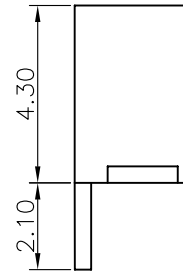
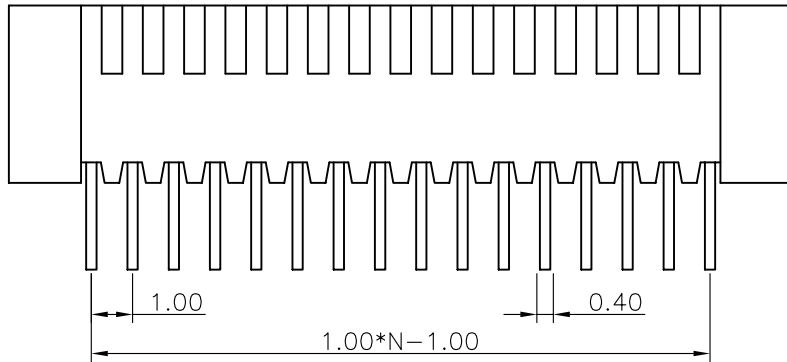
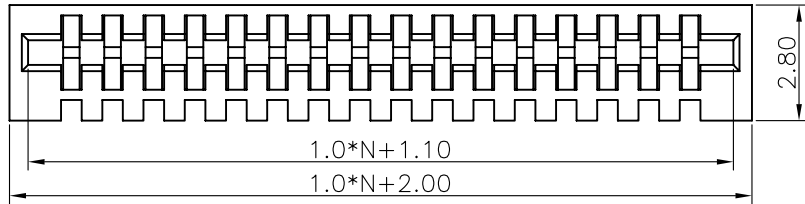
RECOMMEND PCB LAYOUT
(TOLERANCE= ± 0.05)


GENERAL TOLERANCE		ANGLE TOLERANCE		PROJECTION		TITLE	1.00mm FPC CONNECTOR	
X.	± 0.60	X.	$\pm 5^\circ$	UNITS	mm	V/T SMT TYPE		
.X	± 0.38	.X	$\pm 3^\circ$	SHEET SIZE	A4	SERIES	DS1020-05 SERIES	
.XX	± 0.25	.XX	$\pm 2^\circ$	晨翔电子有限公司 CONNPLY ELECTRONIC CO. LTD				
DRAWING TYPE		CUSTOMER						
SCALE	1:1	SHEET	1 OF 1					
DRAWING NO.		C-DS1020-05-XXX						

REV.	DESCRIPTION	DRAWN	CHECKED	APPROVED
A	NEW RELEASE	YCH 09/04/08'	~	

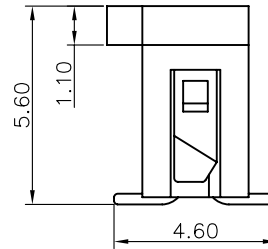
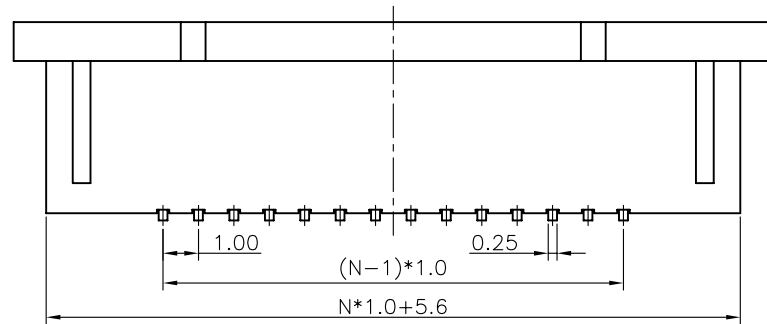
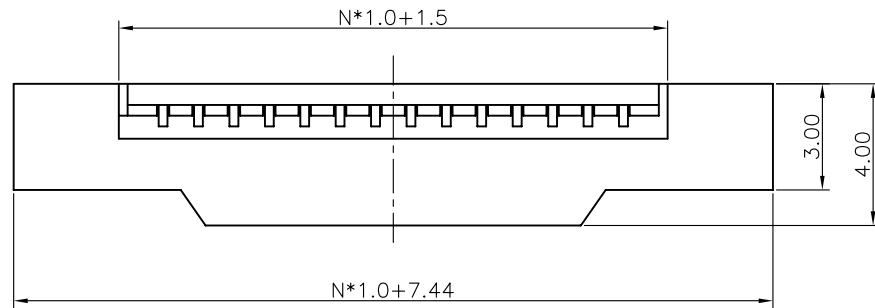
NOTES:

- MATERIAL
 - INSULATOR:THERMOPLASTIC(UL 94V-0).
 - CONTACT: COPPER ALLOY.
- SPECIFICATION
 - TEMPERATURE RANGE:-40°C~+105°C.
 - CONTACT RESISTANCE:20mΩ max.
 - INSULATION RESISTANCE:100MΩ min.
 - DIELECTRIC WITHSTANDING VOLTAGE:AC 100V PER MINUTE.
- PART NUMBER: DS1020-06
- PRODUCT NUMBER CODE:
 DS1020-06- X X X
 CONTACT PLATING
 T1: TIN
 8: FULL GOLD FLASH
 HOUSING COLOR
 B:BLACK
 No. OF CONTACTS
 02~36



GENERAL TOLERANCE		ANGLE TOLERANCE		PROJECTION	TITLE	1.00mm FPC CONNECTOR R/A SMT TYPE	
X.	±0.60	X.	±5°	mm			
.X	±0.38	.X	±3°	A4	SERIES	DS1020-06 SERIES	
.XX	±0.25	.XX	±2°				
DRAWING TYPE		CUSTOMER		 晨翔电子有限公司 CONNFLY CONNFLY ELECTRONIC CO. LTD			
SCALE		1:1 SHEET 1 OF 1					
DRAWING NO.		C-DS1020-06-XXX					

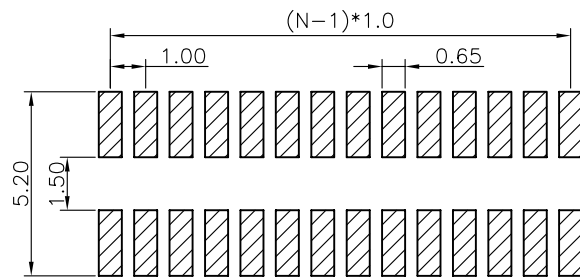
REV.	DESCRIPTION	DRAWN	CHECKED	APPROVED
A	NEW RELEASE	YCH 03/25/09'	~	



NOTES:

- MATERIAL
 - INSULATOR:THERMOPLASTIC(UL 94V-0).
 - CONTACT: COPPER ALLOY.
- SPECIFICATION
 - TEMPERATURE:-40°C ~ +105°C.
 - CONTACT RESISTANCE:30mΩ max.
 - INSULATION RESISTANCE:100MΩ min.
 - DIELECTRIC WITHSTANDING VOLTAGE:AC 100V PER MINUTE.
- PART NUMBER: DS1020-14
- PRODUCT NUMBER CODE:
DS1020-14- X X X X

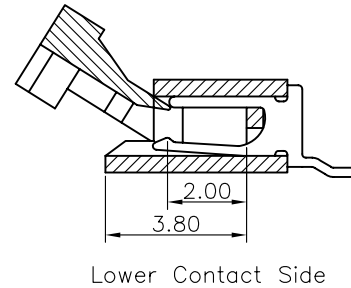
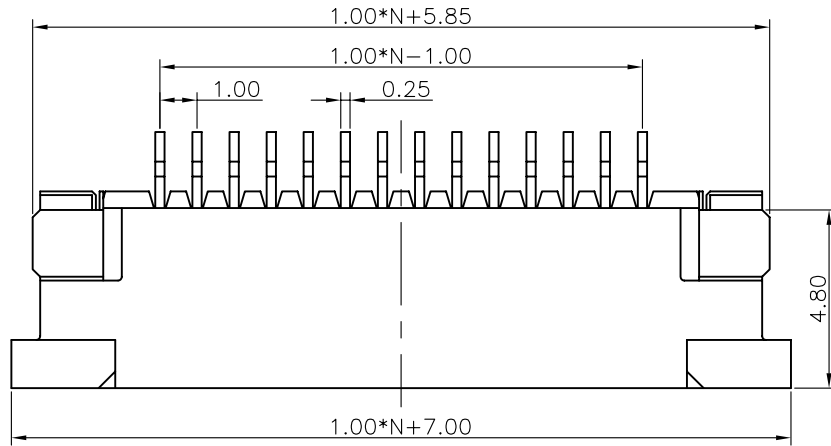
- CONTACT PLATING
T1: TIN
8: FULL GOLD FLASH
- COVER COLOR
N: BROWN
- HOUSING COLOR
B: BLACK
- No. OF CONTACTS
10~50



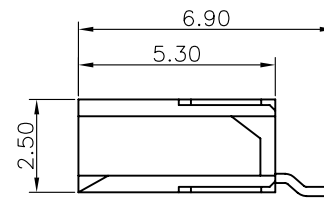
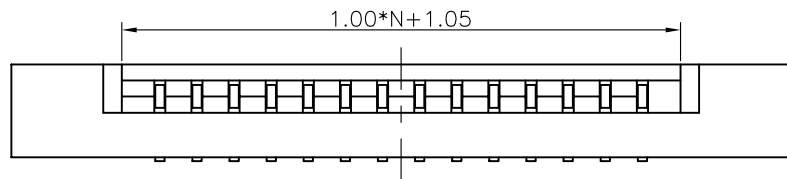
RECOMMEND PCB LAYOUT(TOLERANCE=±0.05)

GENERAL TOLERANCE		ANGLE TOLERANCE		PROJECTION	TITLE	
X.	±0.60	X.	±5°		1.0mm FPC	
.X	±0.38	.X	±3°	mm	ZIF V/T SMT TYPE	
.XX	±0.25	.XX	±2°	A4	SERIES	DS1020-14 SERIES
DRAWING TYPE		CUSTOMER		晨翔电子有限公司 CONNPLY ELECTRONIC CO. LTD		
SCALE		1:1	SHEET 1 OF 1			
DRAWING NO.		C-DS1020-14-XXXX				

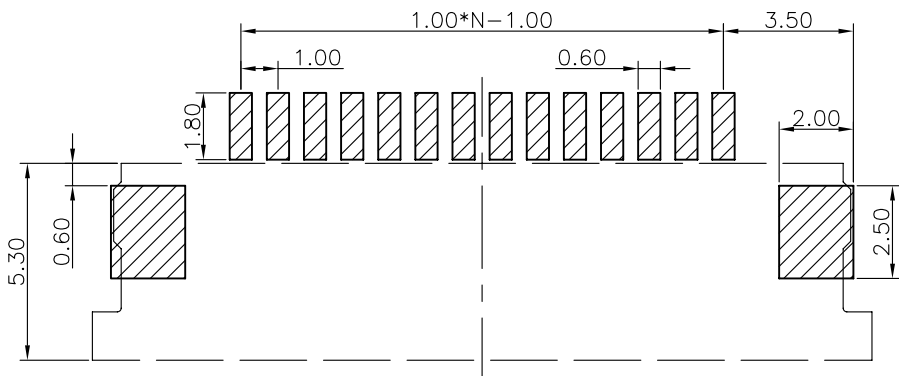
REV.	DESCRIPTION	DRAWN	CHECKED	APPROVED
A	NEW RELEASE	YCH 09/04/08'	~	



Lower Contact Side



Upper Contact Side



NOTES:


- MATERIAL
 - INSULATOR:THERMOPLASTIC(UL 94V-0).
 - CONTACT: COPPER ALLOY.
- SPECIFICATION
 - TEMPERATURE:-40°C~+105°C.
 - CONTACT RESISTANCE:30mΩ max.
 - INSULATION RESISTANCE:100MΩ min.
 - DIELECTRIC WITHSTANDING VOLTAGE:AC 100V PER MINUTE.
- PART NUMBER: DS1020-07
- PRODUCT NUMBER CODE:
DS1020-07- X X X X X
 - CONTACT TYPE
 - A: LOWER CONTACT
 - B: UPPER CONTACT
 - CONTACT PLATING
 - T1: TIN
 - 8: FULL GOLD FLASH
 - COVER COLOR
 - B:BLACK
 - HOUSING COLOR
 - V:IVORY
 - No. OF CONTACTS
 - 02~36

RECOMMEND PCB LAYOUT(TOLERANCE=±0.05)

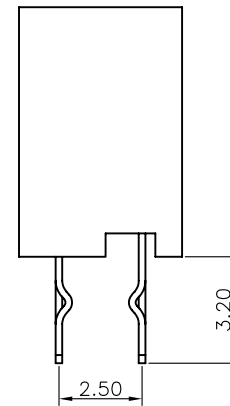
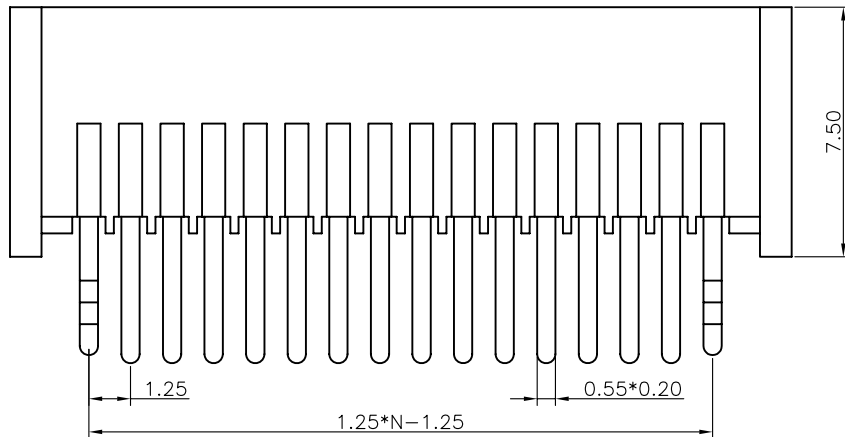
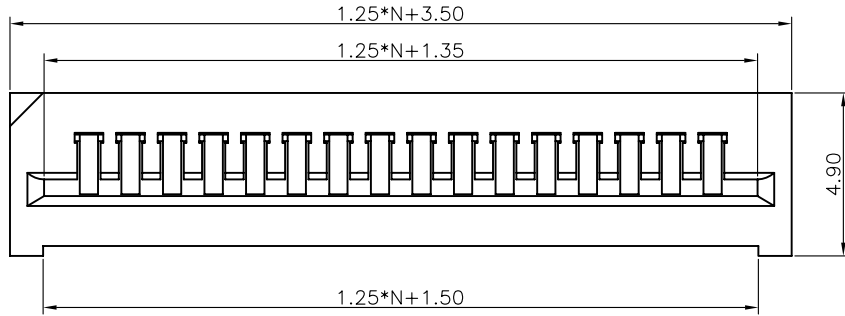
GENERAL TOLERANCE		ANGLE TOLERANCE	
X.	±0.60	X.	±5°
.X	±0.38	.X	±3°
.XX	±0.25	.XX	±2°

PROJECTION	TITLE	1.00mm FPC CONNECTOR	
UNITS	mm	ZIF R/A SMT TYPE	
SHEET SIZE	A4	SERIES	DS1020-07 SERIES

DRAWING TYPE	CUSTOMER		
SCALE	1:1	SHEET	1 OF 1
DRAWING NO.	C-DS1020-07-XXXXX		


晨翔电子有限公司
CONNPLY CONNPLY ELECTRONIC CO. LTD

REV.	DESCRIPTION	DRAWN	CHECKED	APPROVED
A	NEW RELEASE	YCH 09/04/08'	~	



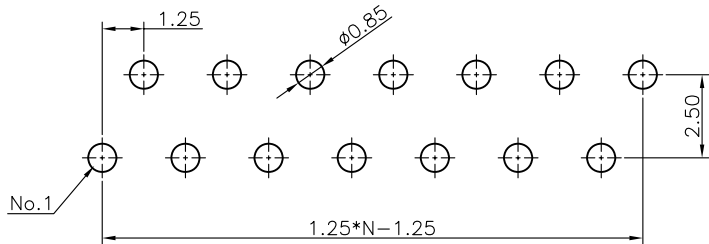
NOTES:

- MATERIAL
 - INSULATOR: THERMOPLASTIC (UL 94V-0).
 - CONTACT: COPPER ALLOY.
- SPECIFICATION
 - TEMPERATURE RANGE: -40~+105°C.
 - CONTACT RESISTANCE: 20mΩ max.
 - INSULATION RESISTANCE: 500MΩ min.
 - DIELECTRIC WITHSTANDING VOLTAGE: AC 250V PER MINUTE.

3. PART NUMBER: DS1020-01

4. PRODUCT NUMBER CODE:

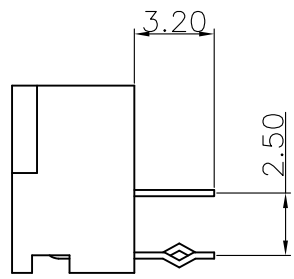
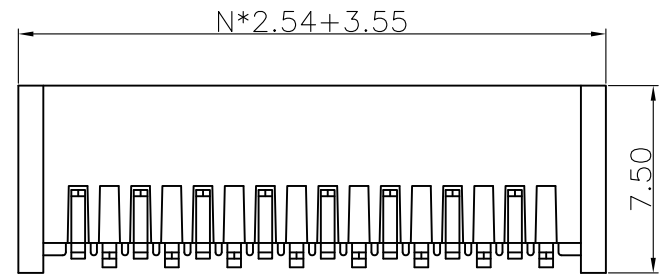
DS1020-01- X X X
 CONTACT PLATING
 T1: TIN
 HOUSING COLOR
 V: IVORY
 B: BLACK
 No. OF CONTACTS
 02~36



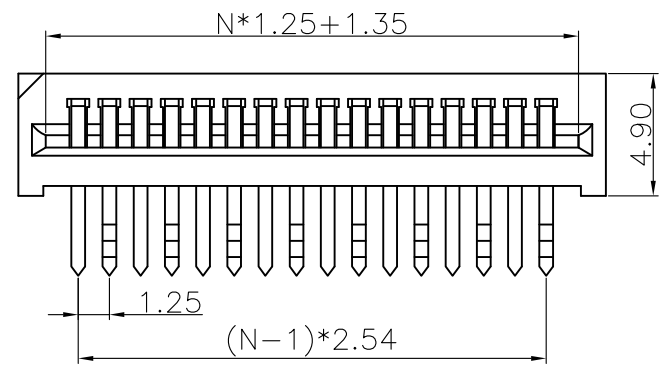
RECOMMEND PCB LAYOUT (TOLERANCE = ±0.05)

GENERAL TOLERANCE		ANGLE TOLERANCE		PROJECTION		TITLE	1.25mm FPC CONNECTOR
X.	±0.60	X.	±5°	UNITS	mm	V/T TYPE	
.X	±0.38	.X	±3°	SHEET SIZE	A4	SERIES	DS1020-01 SERIES
.XX	±0.25	.XX	±2°				
DRAWING TYPE		CUSTOMER		晨翔电子有限公司 CONNFLY CONNFLY ELECTRONIC CO. LTD			
SCALE	1:1	SHEET	1 OF 1				
DRAWING NO.	C-DS1020-01-XXX						

REV.	DESCRIPTION	DRAWN	CHECKED	APPROVED
A	NEW RELEASE	YCH 09/04/08'	~	



- NOTES:
- MATERIAL
 - INSULATOR:THERMOPLASTIC(UL 94V-0).
 - CONTACT: COPPER ALLOY.
 - SPECIFICATION
 - TEMPERATURE:-40°C~+105°C.
 - CONTACT RESISTANCE:20mΩ max.
 - INSULATION RESISTANCE:100MΩ min.
 - DIELECTRIC WITHSTANDING VOLTAGE:AC 100V PER MINUTE.
 - PART NUMBER: DS1020-17
 - PRODUCT NUMBER CODE:
DS1020-17- X X X X

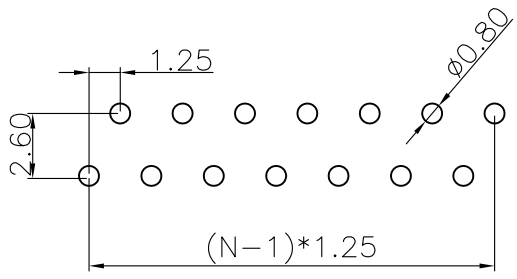


CONTACT PLATING
T1: TIN

MOUNTING TYPE
R: R/A TYPE

HOUSING COLOR
V:IVORY

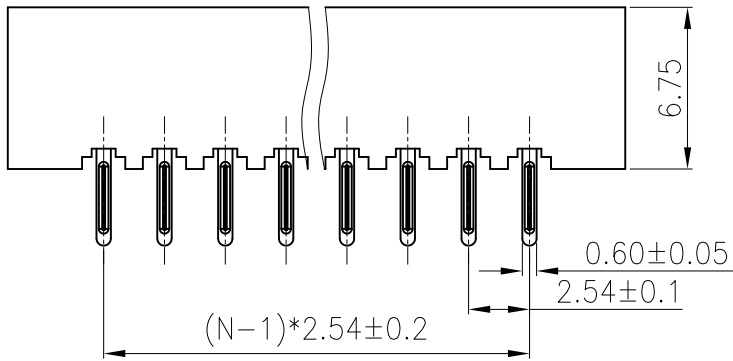
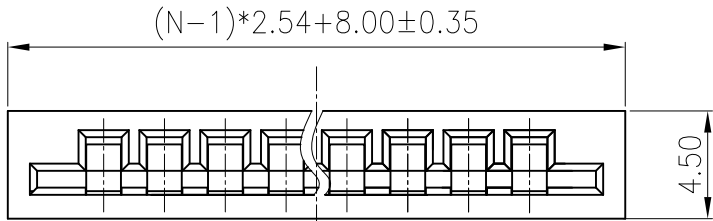
No. OF CONTACTS
03~40



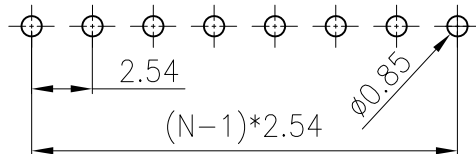
RECOMMEND PCB LAYOUT
(TOLERANCE=±0.05)

GENERAL TOLERANCE		ANGLE TOLERANCE		PROJECTION		TITLE	1.25mm FPC CONNECTOR	
X.	±0.60	X.	±5°	UNITS	mm		R/A TYPE	
.X	±0.38	.X	±3°	SHEET SIZE	A4	SERIES	DS1020-17 SERIES	
.XX	±0.25	.XX	±2°	晨翔电子有限公司 CONNPLY ELECTRONIC CO. LTD				
DRAWING TYPE		CUSTOMER						
SCALE	1:1	SHEET	1 OF 1					
DRAWING NO.		C-DS1020-17-XXXX						

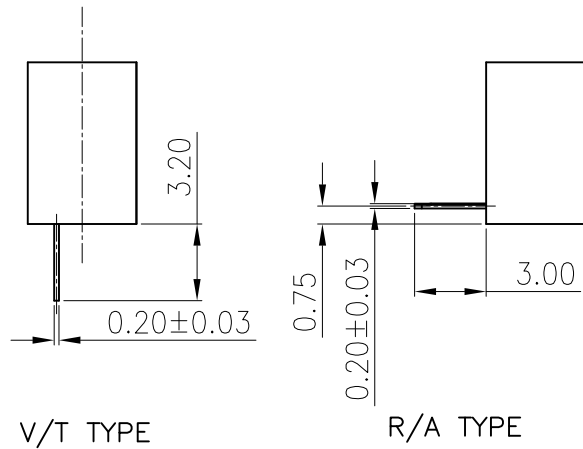
REV.	DESCRIPTION	DRAWN	CHECKED	APPROVED
A	NEW RELEASE	LJH 10/04/05'		



N:NUMBER OF CONTACTS



RECOMMEND PCB LAYOUT(TOLERANCE=±0.05)



V/T TYPE

R/A TYPE

NOTES:

- MATERIAL
 - INSULATOR:THERMOPLASTIC(UL 94V-0).
 - CONTACT: COPPER ALLOY.
- SPECIFICATION
 - TEMPERATURE:-20°C~+105°C.
 - CONTACT RESISTANCE:20mΩ max.
 - INSULATION RESISTANCE:1000MΩ min.
 - DIELECTRIC WITHSTANDING VOLTAGE:AC 500V PER MINUTE.

3. PART NUMBER: DS1020

4. PRODUCT NUMBER CODE:

DS1020- X X X X

CONTACT TYPE
D: Double side

CONTACT PLATING
T1: TIN

MOUNTING TYPE
S: V/T TYPE
R: R/A TYPE

No. OF CONTACTS
02~27

SERIES No.
DS1020

GENERAL TOLERANCE		ANGLE TOLERANCE		PROJECTION		TITLE	FFC/FPC CONNECTOR
X.	±0.60	X.	±5°	UNITS	mm		PITCH 2.54mm LIF.T/H
.X	±0.38	.X	±3°	SHEET SIZE	A4	SERIES	DS1020 SERIES
.XX	±0.25	.XX	±2°				
DRAWING TYPE		CUSTOMER					
SCALE		1:1 SHEET 1 OF 1					
DRAWING NO.		C-DS1020-XXXX					

晨翔电子有限公司

CONNPLY CONNPLY ELECTRONIC CO. LTD