

REV.	DESCRIPTION	DRAWN	CHECKED	APPROVED
A	NEW RELEASE	HP 21/06/05		

NOTES:

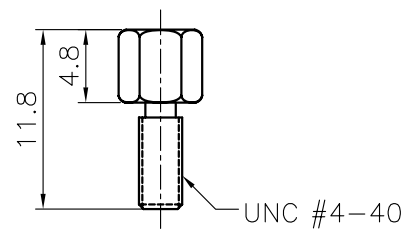
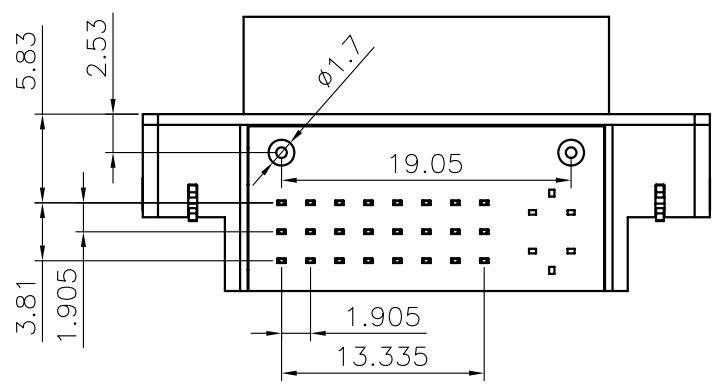
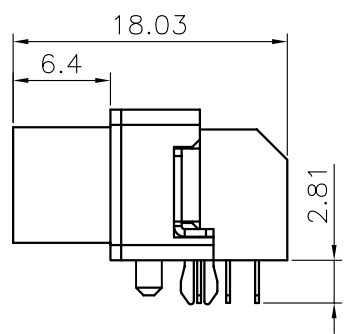
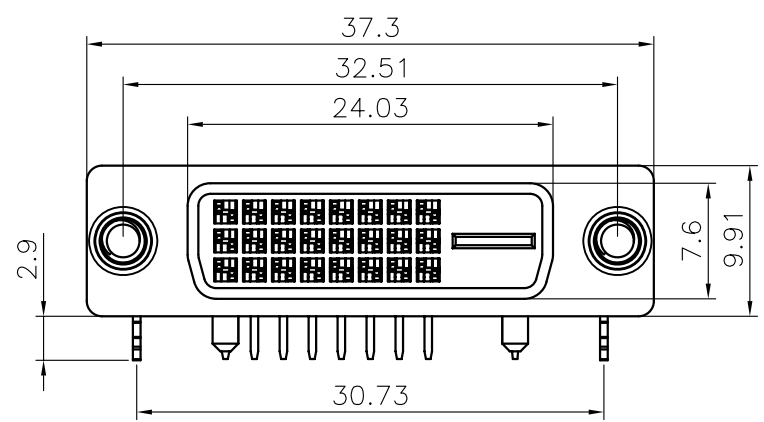
1. SPECIFICATIONS

- . Contact Resistance: 30mΩ max
- . Insulation Resistance: 1000MΩ min.
- . Current Rating: 1A
- . Dielectric withstanding voltage: AC 500V For 1 minute
- . Contact: Copper alloy.
- . Housing: Thermoplastic(UL 94V-0)

2. PRODUCT NUMBER CODE:

DS1090 - X X X X

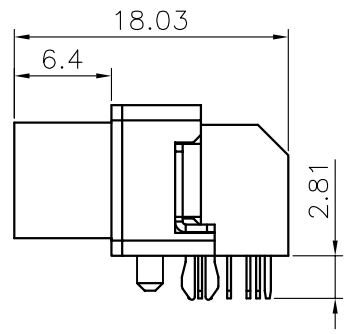
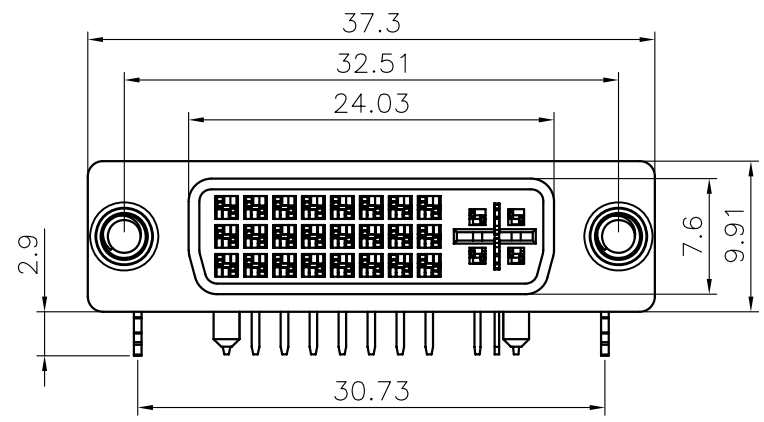
- Screw type
X: W/O screw
S: W/ #4-40(UNC) screw
D: Rivet Type With Screw
In Bulk Package
- Contact plating
0: Selective gold flash
- Shell plating
N: Nickel
6: Tin
- Color of housing
W: WHITE
B: BLACK
V: Ivory



Screw

GENERAL TOLERANCE		ANGLE TOLERANCE		PROJECTION		TITLE	DVI PLUG WITH RIGHT ANGLE 24+1(JDR-241)	
X.	±0.60	X.	±5°	UNITS	mm			
.X	±0.38	.X	±3°	SHEET SIZE	A4	SERIES	DS1090	
.XX	±0.25	.XX	±2°					
DRAWING TYPE		CUSTOMER		晨翔电子有限公司 CONNPLY ELECTRONIC CO. LTD				
SCALE		1:1	SHEET 1 OF 1					
DRAWING NO.		C-DS1090-XXXX						

REV.	DESCRIPTION	DRAWN	CHECKED	APPROVED
A	NEW RELEASE	HP 21/06/05	~	LJC 21/06/05
B	整理图面	YCH 09/17/07	~	



NOTES:

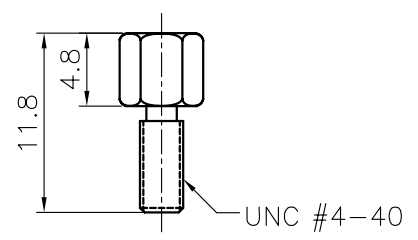
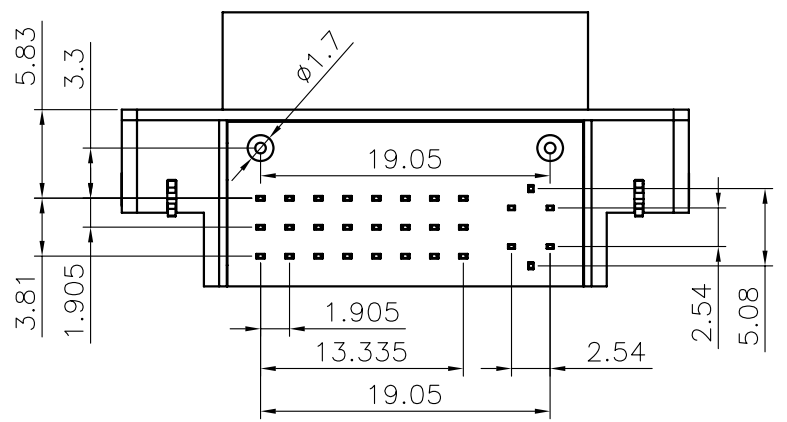
1. SPECIFICATIONS

- . Contact Resistance: 30mΩ max
- . Insulation Resistance: 1000MΩ min.
- . Current Rating: 1A
- . Dielectric withstanding voltage: AC 500V For 1 minute
- . Contact: Copper alloy.
- . Housing: Thermoplastic(UL 94V-0)

2. PRODUCT NUMBER CODE:

DS1091 - X X X X

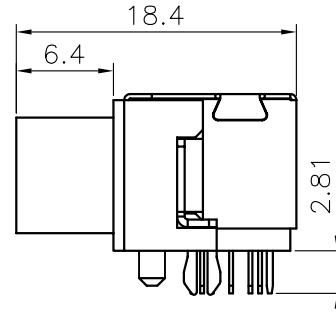
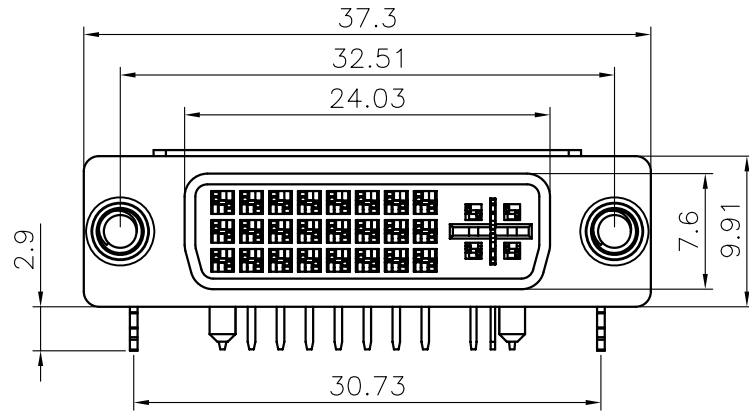
- Screw type
- X: W/O screw
- S: W/ #4-40(UNC) screw
- D: Rivet Type With Screw In Bulk Package
- Contact plating
- 0: Selective gold flash
- Shell plating
- N: Nickel
- 6: Tin
- Color of housing
- W: WHITE
- B: BLACK
- V: Ivory



Screw

GENERAL TOLERANCE		ANGLE TOLERANCE		PROJECTION		TITLE	DVI PLUG WITH RIGHT ANGLE 24+5(JDR-245)	
X.	±0.60	X.	±5°	UNITS	mm			
.X	±0.38	.X	±3°	SHEET SIZE	A4	SERIES	DS1091	
.XX	±0.25	.XX	±2°	晨翔电子有限公司 CONNFLY CONNFLY ELECTRONIC CO. LTD				
DRAWING TYPE		CUSTOMER						
SCALE	1:1	SHEET	1 OF 1					
DRAWING NO.		C-DS1091-XXXX						

REV.	DESCRIPTION	DRAWN	CHECKED	APPROVED
A	NEW RELEASE	YCH 12/16/09'	~	



NOTES:

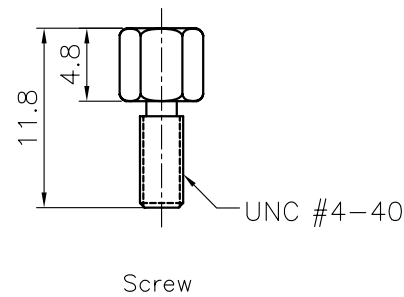
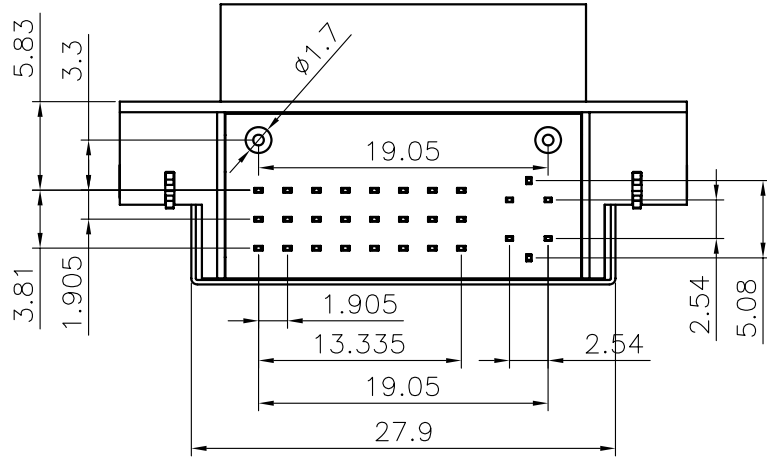
1. SPECIFICATIONS

- . Contact Resistance: 30mΩ max
- . Insulation Resistance: 1000MΩ min.
- . Current Rating: 1A
- . Dielectric withstanding voltage: AC 500V For 1 minute
- . Contact: Copper alloy.
- . Housing: Thermoplastic(UL 94V-0)

2. PRODUCT NUMBER CODE:

DS1091-01 - X X X X

- Screw type
- X: W/O screw
- S: W/ #4-40(UNC) screw
- D: Rivet Type With Screw In Bulk Package
- Contact plating
- 0: Selective gold flash
- Shell plating
- N: Nickel
- 6: Tin
- Color of housing
- W: WHITE
- B: BLACK
- V: Ivory



GENERAL TOLERANCE		ANGLE TOLERANCE		PROJECTION		TITLE	DVI RECEPTACLE 24+5 SHIELDING TYPE	
X.	±0.60	X.	±5°	UNITS	mm			
.X	±0.38	.X	±3°	SHEET SIZE	A4	SERIES	DS1091-01	
.XX	±0.25	.XX	±2°	晨翔电子有限公司 CONNFLY CONNFLY ELECTRONIC CO. LTD				
DRAWING TYPE		CUSTOMER						
SCALE	1:1	SHEET	1 OF 1					
DRAWING NO.		C-DS1091-01-XXXX						

REV.	DESCRIPTION	DRAWN	CHECKED	APPROVED
A	NEW RELEASE	YCH 12/16/09'	~	

NOTES:

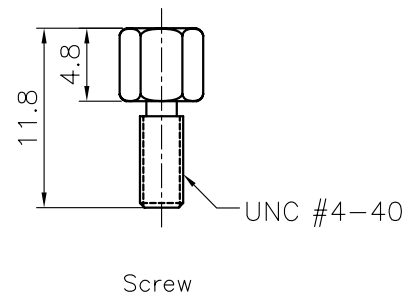
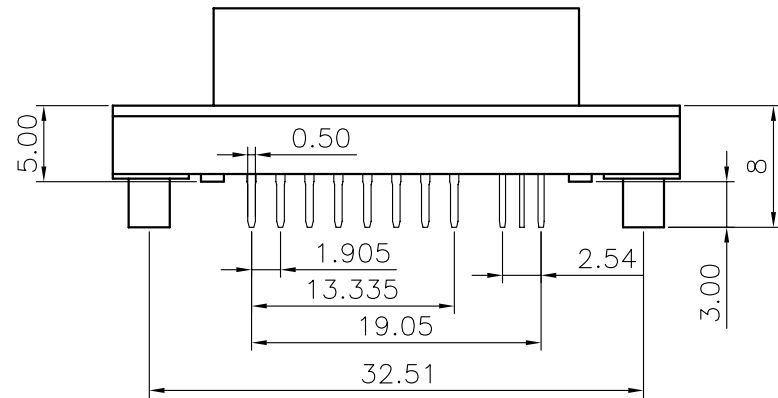
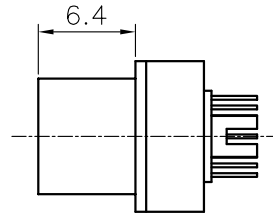
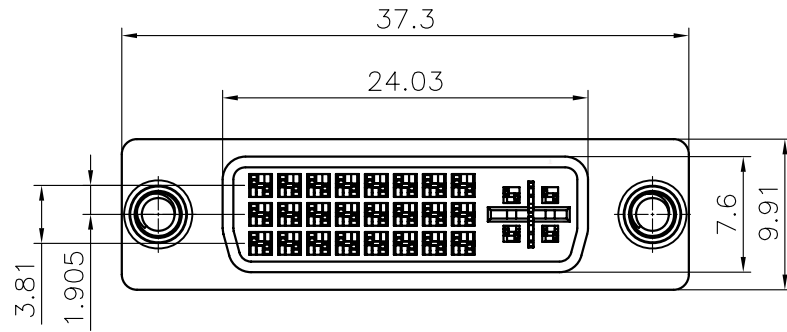
1. SPECIFICATIONS

- . Contact Resistance: 30mΩ max
- . Insulation Resistance: 1000MΩ min.
- . Current Rating: 1A
- . Dielectric withstanding voltage: AC 500V For 1 minute
- . Contact: Copper alloy.
- . Housing: Thermoplastic(UL 94V-0)

2. PRODUCT NUMBER CODE:

DS1091-02 - X X X X

- Screw type
- X: W/O screw
- S: W/ #4-40(UNC) screw
- D: Rivet type with screw in bulk package
- Contact plating
- 0: Selective gold flash
- Shell plating
- N: Nickel
- 6: Tin
- Color of housing
- W:WHITE
- B:BLACK
- V:Ivory



GENERAL TOLERANCE		ANGLE TOLERANCE		PROJECTION		TITLE	DVI RECEPTACLE 24+5 VERTICAL THROUGH TYPE	
X.	±0.60	X.	±5°	UNITS	mm			
.X	±0.38	.X	±3°	SHEET SIZE	A4	SERIES	DS1091-02	
.XX	±0.25	.XX	±2°	晨翔电子有限公司 CONNFLY CONNFLY ELECTRONIC CO. LTD				
DRAWING TYPE		CUSTOMER						
SCALE		1:1	SHEET 1 OF 1					
DRAWING NO.		C-DS1091-02-XXXX						

REV.	DESCRIPTION	DRAWN	CHECKED	APPROVED
A	NEW RELEASE	YCH 12/16/09'	~	

NOTES:

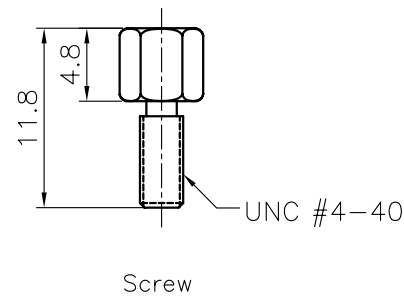
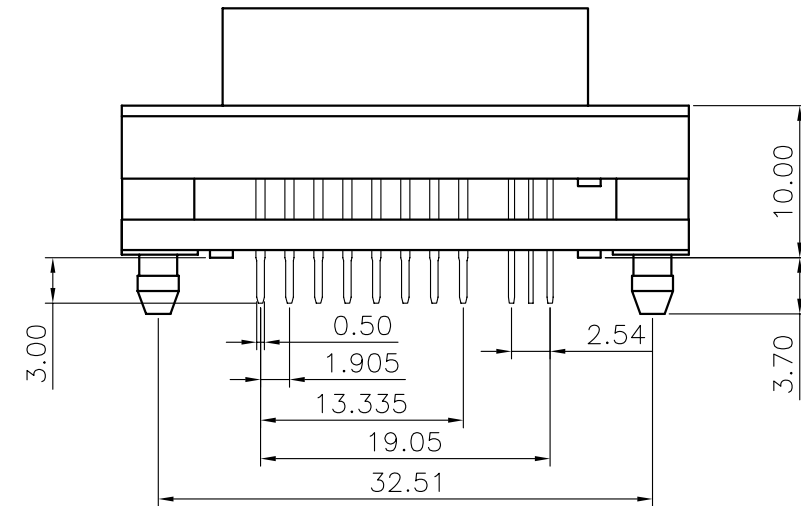
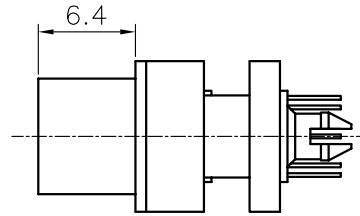
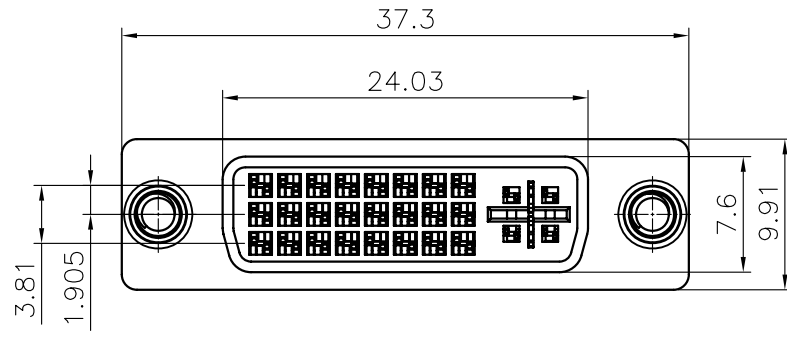
1. SPECIFICATIONS

- . Contact Resistance: 30mΩ max
- . Insulation Resistance: 1000MΩ min.
- . Current Rating: 1A
- . Dielectric withstanding voltage: AC 500V For 1 minute
- . Contact: Copper alloy.
- . Housing: Thermoplastic(UL 94V-0)

2. PRODUCT NUMBER CODE:

DS1091-03 - X X X X

- Screw type
 - X: W/O screw
 - S: W/ #4-40(UNC) screw
 - D: Rivet type with screw in bulk package
- Contact plating
 - 0: Selective gold flash
- Shell plating
 - N: Nickel
 - 6: Tin
- Color of housing
 - W: WHITE
 - B: BLACK
 - V: Ivory



GENERAL TOLERANCE		ANGLE TOLERANCE		PROJECTION		TITLE	DVI RECEPTACLE 24+5 VERTICAL THROUGH STACK TYPE		
X.	±0.60	X.	±5°	UNITS	mm				
.X	±0.38	.X	±3°	SHEET SIZE	A4	SERIES	DS1091-03		
.XX	±0.25	.XX	±2°	晨翔电子有限公司 CONNFLY CONNFLY ELECTRONIC CO. LTD					
DRAWING TYPE		CUSTOMER							
SCALE		1:1	SHEET 1 OF 1						
DRAWING NO.		C-DS1091-03-XXXX							