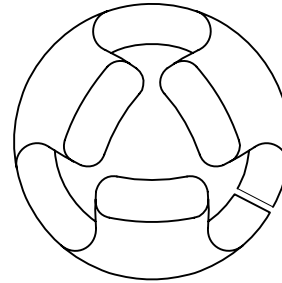
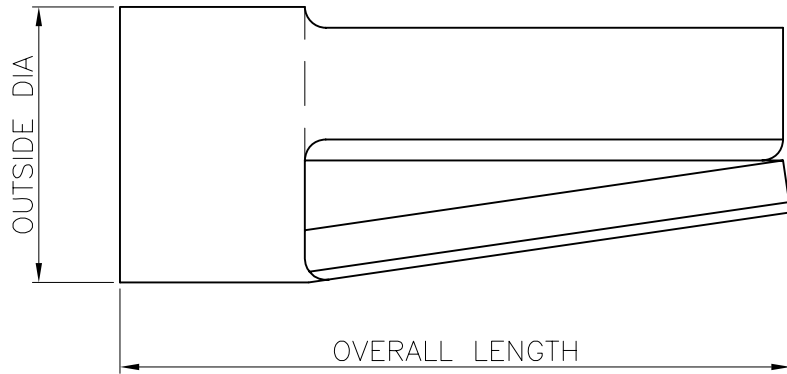


REV.	DESCRIPTION	DRAWN	CHECKED	APPROVED
A	NEW RELEASE	YCH 01/09/09		



THREE CONTACT POINTS

TECHNICAL SPECIFICATIONS:

- 1.MATERIAL: BERYLLIUM COPPER
- 2.RATDE CURRENT: 1A
- 3.CONTACT RESISTANCE: 10mΩ MAXIMUM.
- 4.PRODUCT NUMBER CODE:

DS1008-01 - CF X

└ PART NUMBER CODE
T-1*
T-1L*
T-2
SEE TABEL A:

TABEL A:

PART NUMBER	OUTSIDE DIAMETER	OVERALL LENGTH	OPERATING RANGE PIN DIA.	TEST PIN DIAMETER	MAXIMUM INSERTION FORCE	MINIMUM WITHDRAWAL FORCE
CFT-1*	0.787	1.905	0.381-0.508	0.432	80 GM	15 GM
CFT-1L*	0.787	1.905	0.381-0.533	0.457	90 GM	14 GM
CFT-2	0.813	1.270	0.381-0.457	0.432	400 GM	100 GM
CFT-3	0.787	1.905	0.381-0.508	0.432	42 GM	14 GM
CFT-3X	0.787	1.905	0.381-0.533	0.457	35 GM	14 GM
CFT-4	0.597	1.651	0.178-0.330	0.279	30 GM	9 GM
CFT-5	0.498	1.346	0.152-0.279	0.203	30 GM	10 GM

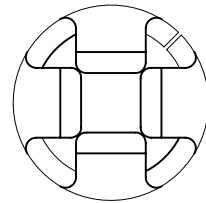
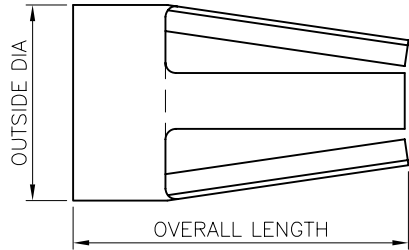
GENERAL TOLERANCE		ANGLE TOLERANCE	
X.	±0.20	X.	±2°
.X	±0.15	.X	±1°
.XX	±0.10	.XX	±0.5°

DRAWING TYPE	CUSTOMER		
SCALE	1:1	SHEET	1 OF 1
DRAWING NO.	C-DS1008-01-X		

PROJECTION		TITLE	THREE FINGER CLIPS
UNITS	mm	SHEET SIZE	A4
SHEET SIZE	A4	SERIES	DS1008-01

晨翔电子有限公司
CONNFLY CONNFLY ELECTRONIC CO. LTD

REV.	DESCRIPTION	DRAWN	CHECKED	APPROVED
A	NEW RELEASE	YCH 01/09/09		



FOUR CONTACT POINTS

TABEL A:

PART NUMBER	OUTSIDE DIAMETER	OVERALL LENGTH	OPERATING RANGE PIN DIA.	TEST PIN DIAMETER	MAXIMUM INSERTION FORCE	MINIMUM WITHDRAWAL FORCE
CF-1S	1.118	1.651	0.381-0.559	0.457	135 GM	25 GM
CF-1SH	1.118	1.651	0.381-0.559	0.457	260 GM	55 GM
CF-3S*	1.118	1.651	0.381-0.559	0.457	520 GM	120 GM
CF-1L	1.118	2.108	0.381-0.559	0.457	45 GM	15 GM
CF-3*	1.118	2.108	0.381-0.635	0.432	270 GM	90 GM
CF-3H	1.118	2.108	0.381-0.635	0.457	675 GM	200 GM
CF-4	1.346	2.972	0.559-0.813	I - 0.660 W - 0.610	385 GM	50 GM
CF-5	1.753	3.810	0.914-1.270	I - 1.016 W - 0.762	325 GM 55 GM	60 GM 15 GM
CF-6	2.032	3.810	1.016-1.499	I - 1.270 W - 1.016	375 GM	35 GM
CF-7S	1.626	2.413	0.813-1.143	1.016	2.27 KG	200 GM
CF-7	1.613	3.048	0.813-1.168	I - 1.041 W - 0.991	350 GM	55 GM
CF-7L	1.626	3.048	0.813-1.143	I - 1.016 W - 0.889	1.02 KG	110 GM
CF-8	2.235	3.150	1.219-1.626	I - 1.524 W - 1.270	440 GM	60 GM
CF-9	2.743	3.759	1.651-2.083	I - 1.880 W - 1.829	1.36 KG	230 GM

TECHNICAL SPECIFICATIONS:

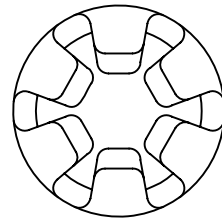
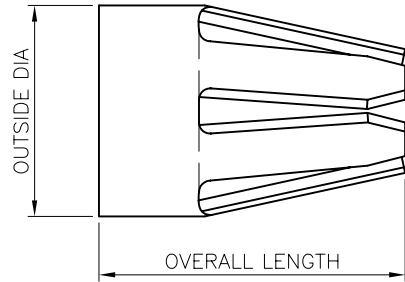
- 1.MATERIAL: BERYLLIUM COPPER
- 2.RATDE CURRENT: 1A
- 3.CONTACT RESISTANCE: 10mΩ MAXIMUM.
- 4.PRODUCT NUMBER CODE:

DS1008-02 - CF X

└ PART NUMBER CODE
1S
1SH
3S*
SEE TABEL A:

GENERAL TOLERANCE		ANGLE TOLERANCE		PROJECTION		TITLE	FOUR FINGER CLIPS	
X.	±0.20	X.	±2°	UNITS	mm			
.X	±0.15	.X	±1°	SHEET SIZE	A4	SERIES	DS1008-02	
.XX	±0.10	.XX	±0.5°	晨翔电子有限公司 CONNFLY CONNFLY ELECTRONIC CO. LTD				
DRAWING TYPE		CUSTOMER						
SCALE	1:1	SHEET	1 OF 1					
DRAWING NO.		C-DS1008-02-X						

REV.	DESCRIPTION	DRAWN	CHECKED	APPROVED
A	NEW RELEASE	YCH 09/01/05		



SIX CONTACT POINTS

TECHNICAL SPECIFICATIONS:

- 1.MATERIAL: BERYLLIUM COPPER
- 2.RATDE CURRENT: 1A
- 3.CONTACT RESISTANCE: 10mΩ MAXIMUM.
- 4.PRODUCT NUMBER CODE:
DS1008-03 - CF X

└ PART NUMBER CODE
PA-2
PA-3
PA-1AS
SEE TABLE A:

TABEL A:

PART NUMBER	OUTSIDE DIAMETER	OVERALL LENGTH	OPERATING RANGE PIN DIA.	TEST PIN DIAMETER	MAXIMUM INSERTION FORCE	MINIMUM WITHDRAWAL FORCE
CFPA-2	0.711	1.524	0.305-0.432	0.381	250 GM	42 GM
CFPA-3	0.787	1.524	0.305-0.483	0.381	60 GM	15 GM
CFPA-1AS	1.118	1.575	0.381-0.584	0.432	150 GM	40 GM
CFPA-1ASM	1.118	1.575	0.381-0.584	0.432	120 GM	20 GM
CFPA-1A	1.118	2.108	0.381-0.660	0.432	90 GM	25 GM
CFPA-1AL	1.118	2.108	0.381-0.660	0.457	42 GM	15 GM
CFPA-1ALX	1.118	2.108	0.381-0.660	0.457	20 GM	10 GM
CFPA-051	1.270	2.108	0.635-0.889	0.660	140 GM	25 GM
CFPA-052	1.321	2.108	0.762-0.940	0.660	375 GM	100 GM
CFPA-052L	1.321	2.108	0.635-0.940	0.660	125 GM	40 GM
CFPA-4	1.397	1.651	0.940-1.092	1.016	160 GM	50 GM
CFPA-5	1.727	2.159	1.016-1.270	1.016	300 GM	75 GM
CFPA-8	3.137	3.048	2.134-2.591	2.362	600 GM	150 GM

GENERAL TOLERANCE		ANGLE TOLERANCE		PROJECTION		TITLE	SIX FINGER CLIPS	
X.	±0.20	X.	±2°	UNITS	mm			
.X	±0.15	.X	±1°	SHEET SIZE	A4	SERIES	DS1008-03	
.XX	±0.10	.XX	±0.5°	晨翔电子有限公司 CONNFLY CONNFLY ELECTRONIC CO. LTD				
DRAWING TYPE		CUSTOMER						
SCALE	1:1	SHEET	1 OF 1					
DRAWING NO.		C-DS1008-03-X						