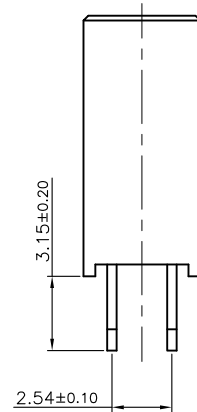
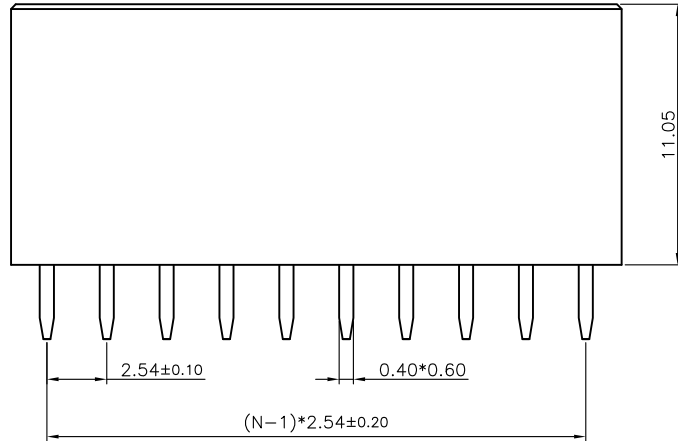
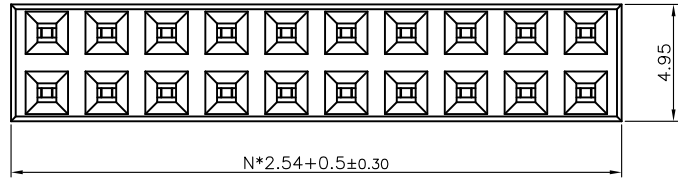


REV.	DESCRIPTION	DRAWN	CHECKED	APPROVED
A	NEW RELEASE	YCH 11/1/11'	~	



NOTES:

1. MATERIAL
  - 1.1 INSULATOR MATERIAL:THERMOPLASTIC(UL 94V-0).
  - 1.2 CONTACT MATERIAL:COPPER ALLOY.
2. SPECIFICATION
  - 2.1 TEMPERATURE:-40° to +105°C.
  - 2.2 DIELECTRIC WITHSTANDING VOLTAGE:AC 500V AC.
  - 2.3 INSULATION RESISTANCE:1000MΩ min.
  - 2.4 CURRENT RATING:3A.

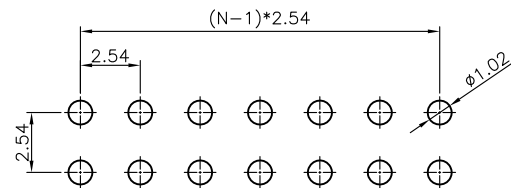
3. PRODUCT NUMBER CODE:

DS1023-22 - X X X

CONTACT PLATING  
 2: NICKEL + GOLD FLASH  
 8: FULL GOLD FLASH

MOUNTING TYPE  
 V: V/T TYPE

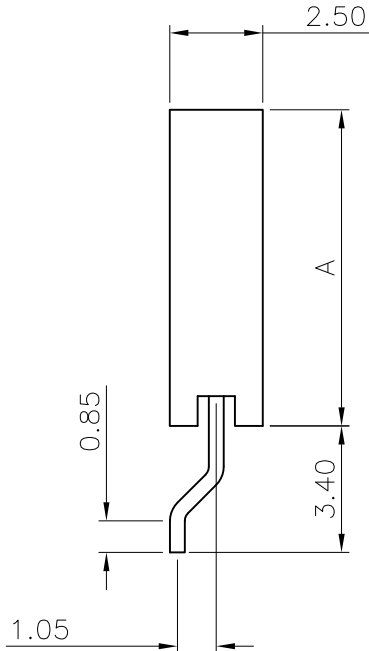
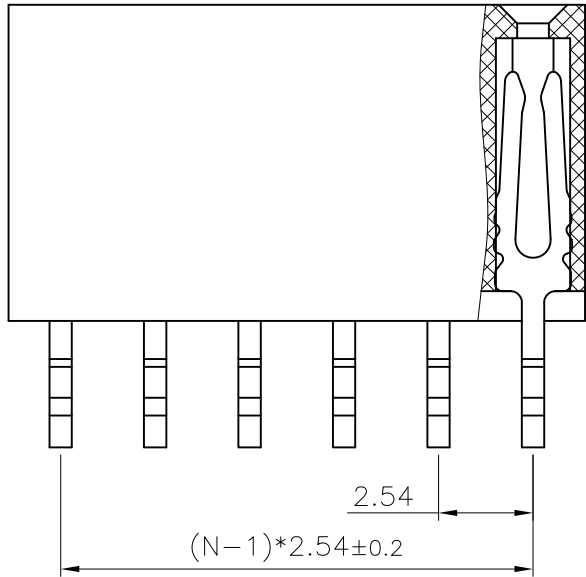
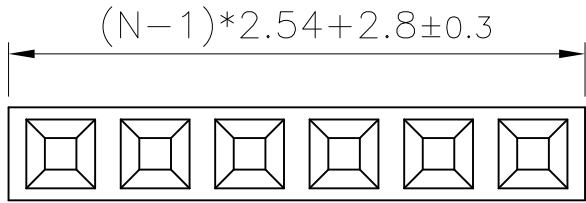
No.OF CONTACTS  
 2\*1-2\*50



RECOMMEND PCB LAYOUT  
 (TOLERANCE=±0.05)

GENERAL TOLERANCE		ANGLE TOLERANCE		PROJECTION		TITLE	FEMALE HEADER PITCH 2.54mm	
X.	±0.60	X.	±5°	UNITS	mm			
.X	±0.38	.X	±3°	SHEET SIZE	A4	SERIES	DS1023-22 SERIES	
.XX	±0.25	.XX	±2°	<b>晨翔电子有限公司</b> <b>CONNFLY CONNFLY ELECTRONIC CO. LTD</b>				
DRAWING TYPE		CUSTOMER						
SCALE	1:1	SHEET	1 OF 1					
DRAWING NO.		C-DS1023-22-XXX-A						

REV.	DESCRIPTION	DRAWN	CHECKED	APPROVED
A	NEW RELEASE	YCH 10/18/11'	~	



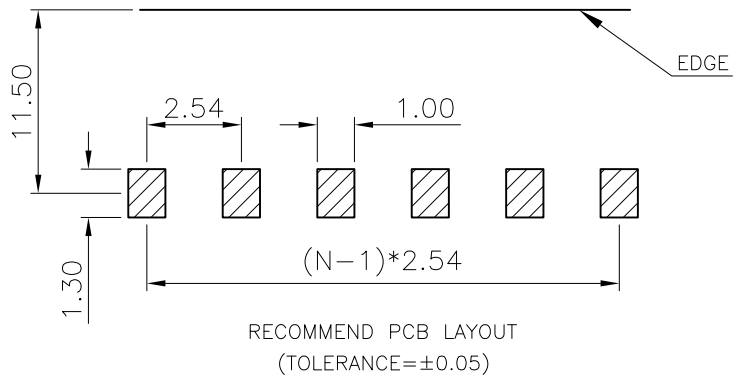
NOTES:

- MATERIAL
  - INSULATOR MATERIAL: THERMOPLASTIC (UL 94V-0).
  - CONTACT MATERIAL: COPPER ALLOY.
- SPECIFICATION
  - CONTACT RESISTANCE: 20mΩ Max. INITIAL.
  - DIELECTRIC WITHSTANDING VOLTAGE: 1000V AC(rms) FOR 1 MINUTE.
  - INSULATION RESISTANCE: 1000MΩ Min.
  - TEMPERATURE: -40° to +105°C.
  - CURRENT RATING: 3A.

3. PRODUCT NUMBER CODE:

DS1023-21 - X X X X


- PACKING TYPE  
T: TRAY  
R: TAPE ON REEL
- PROFILE HEIGHT (DIM A)  
1: 8.5mm  
2: 5.0mm
- CONTACT PLATING  
0: SELECTIVE GOLD FLASH  
8: FULL GOLD FLASH
- No. OF CONTACTS  
1\*2~1\*40



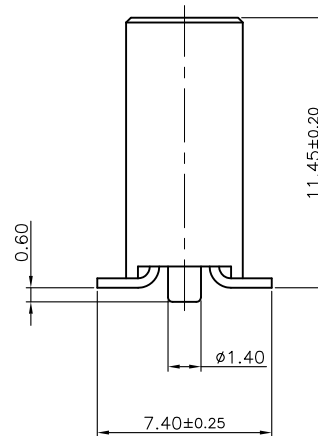
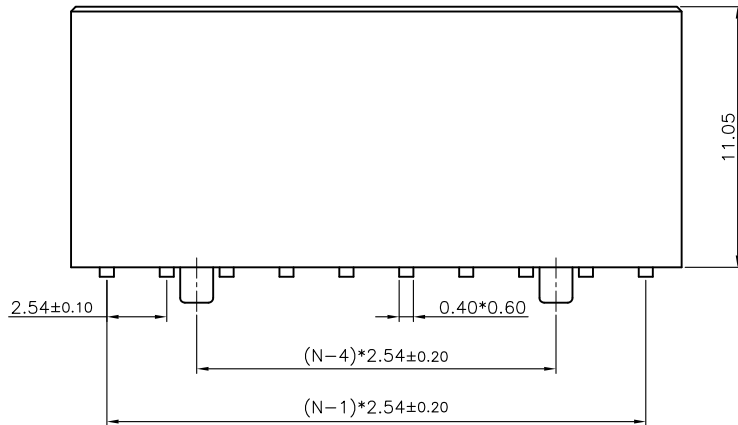
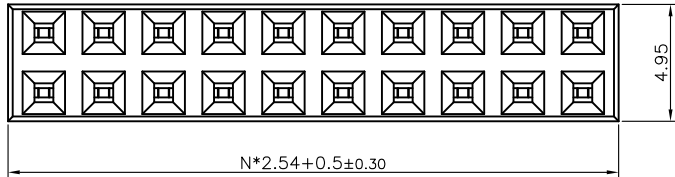
GENERAL TOLERANCE		ANGLE TOLERANCE	
X.	±0.60	X.	±5°
.X	±0.38	.X	±3°
.XX	±0.25	.XX	±2°

PROJECTION	TITLE	FEMALE HEADER PITCH	
mm		2.54mm SMT SINGLE ROWS TYPE	
SHEET SIZE	SERIES	DS1023-21 SERIES	

DRAWING TYPE	CUSTOMER		
SCALE	1:1	SHEET	1 OF 1
DRAWING NO.	C-DS1023-21-XXXX-A		


**晨翔电子有限公司**  
**CONNFLY CONNFLY ELECTRONIC CO. LTD**

REV.	DESCRIPTION	DRAWN	CHECKED	APPROVED
A	NEW RELEASE	DGQ 11/16/11'	~	



NOTES:

1. MATERIAL
  - 1.1 INSULATOR MATERIAL:THERMOPLASTIC(UL 94V-0).
  - 1.2 CONTACT MATERIAL:COPPER ALLOY.
2. SPECIFICATION
  - 2.1 TEMPERATURE:-40° to +105°C.
  - 2.2 DIELECTRIC WITHSTANDING VOLTAGE:AC 500V AC.
  - 2.3 INSULATION RESISTANCE:1000MΩ min.
  - 2.4 CURRENT RATING:3A.

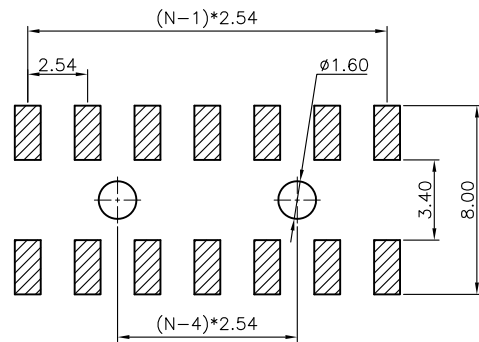
3. PRODUCT NUMBER CODE:

DS1023-23 - X X X

CONTACT PLATING  
 2: NICKEL + GOLD FLASH  
 8: FULL GOLD FLASH

MOUNTING TYPE  
 S: SMT TYPE

No.OF CONTACTS  
 2\*2-2\*40



RECOMMEND PCB LAYOUT  
 (TOLERANCE=±0.05)

GENERAL TOLERANCE		ANGLE TOLERANCE		PROJECTION		TITLE	FEMALE HEADER PITCH 2.54mm
X.	±0.60	X.	±5°	UNITS	mm		
.X	±0.38	.X	±3°	SHEET SIZE	A4	SERIES	DS1023-23 SERIES
.XX	±0.25	.XX	±2°	晨翔电子有限公司 <b>CONNPLY CONNPLY ELECTRONIC CO. LTD</b>			
DRAWING TYPE		CUSTOMER					
SCALE	1:1	SHEET	1 OF 1				
DRAWING NO.		C-DS1023-23-XXX-A					