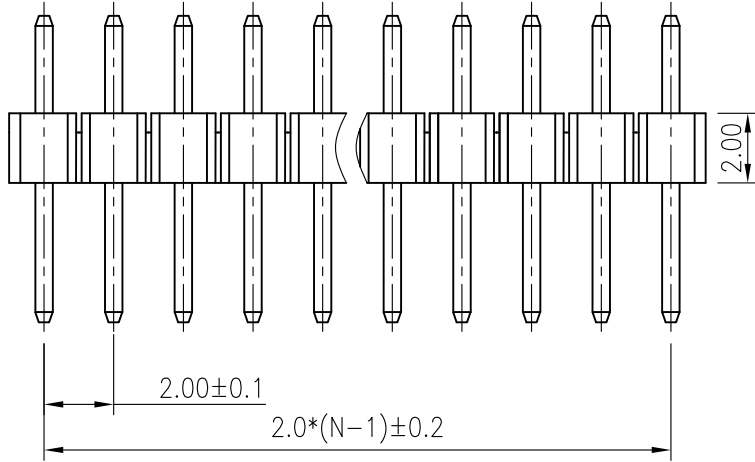
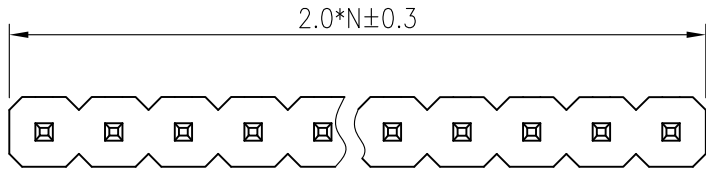
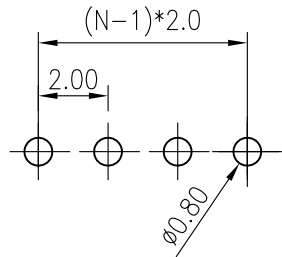


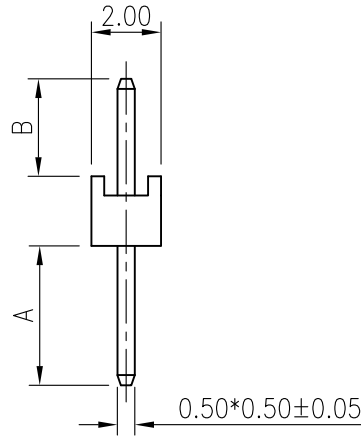
REV.	DESCRIPTION	DRAWN	CHECKED	APPROVED
A	NEW RELEASE	LJH 04/27/05'	~	LJC 04/27/05'
B	增加尺寸规格表格	YCH 07/04/07'	~	



N:NUMBER OF CONTACTS



RECOMMEND PCB LAYOUT
(TOLERANCE=±0.05)



TYPE	DIM A	DIM B
1	4.00	2.80
2	6.00	3.00
3	2.80	10.20
4	2.80	15.20
5	7.00	3.00
6	10.20	2.80
7	3.70	3.00
8		

NOTES:

1. MATERIAL&FINISHES

- 1.1 INSULATOR:THERMOPLASTIC(UL 94V-0).
- 1.2 CONTACT MATERIAL: COPPER ALLOY.

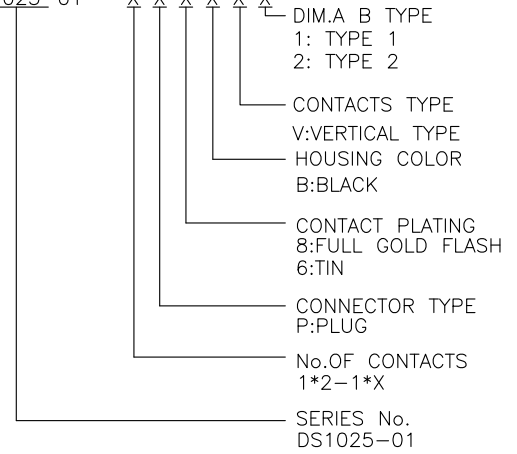
2. SPECIFICATION

- 2.1 CURRENT RATING:1.5 Amp.
- 2.2 INSULATION RESISTANCE:1000MΩ Min.
- 2.3 DIELECTRIC WITHSTANDING:600VAC.
- 2.4 CONTACT RESISTANCE:20mΩ Max.
- 2.5 OPERATING TEMPERATURE:-40°C TO +105°C.

3. PART NUMBER: DS1025-01

4. PRODUCT NUMBER CODE:

DS1025-01 - X X X X X



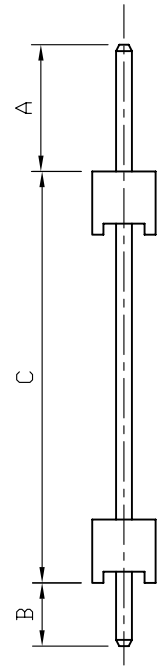
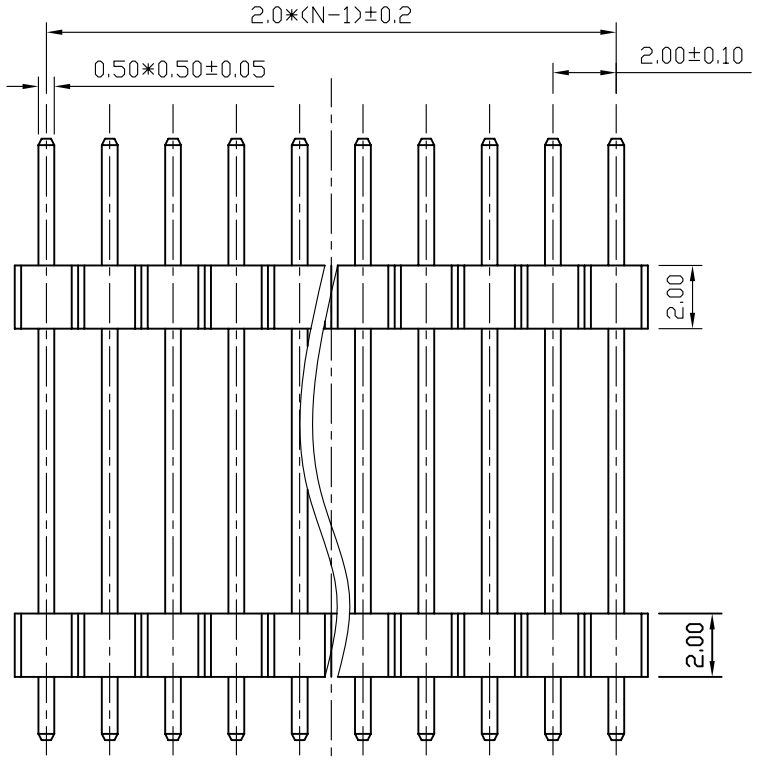
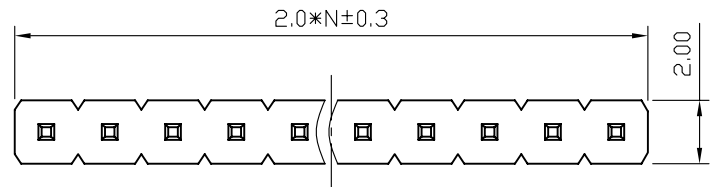
GENERAL TOLERANCE		ANGLE TOLERANCE	
X.	±0.60	X.	±5'
.X	±0.38	.X	±3'
.XX	±0.25	.XX	±2'

DRAWING TYPE	CUSTOMER		
SCALE	1:1	SHEET	1 OF 1
DRAWING NO.	C-DS1025-01-XXXXXX		

PROJECTION		TITLE	SINGLE ROW STRAIGHT
UNITS	mm	SHEET	DS1025-01 SERIES
SHEET SIZE	A4	SERIES	DS1025-01 SERIES

晨翔电子有限公司
CONNFLY CONNFLY ELECTRONIC CO. LTD

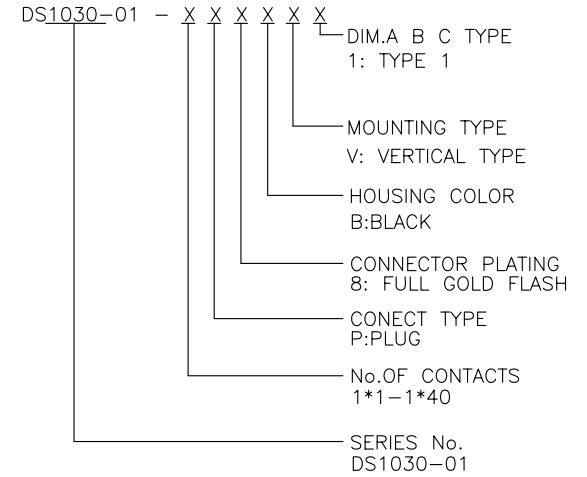
REV.	DESCRIPTION	DRAWN	CHECKED	APPROVED
A	NEW RELEASE	LJH 04/27/05'		



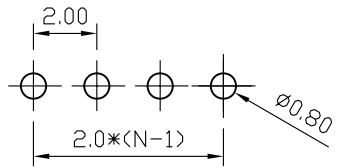
TYPE	DIM A	DIM B	DIM C
1	3.50	3.00	6.00
2	6.00	3.00	10.40
3	3.00	3.00	5.00
4	4.00	3.00	9.00
5			
6			
7			

NOTES:

- MATERIAL
 - INSULATOR:THERMOPLASTIC(UL94 V-0).
 - CONTACT MATERIAL:COPPER ALLOY.
- SPECIFICATION
 - CURRENT RATING:1.5 Amp.
 - INSULATION RESISTANCE:1000MΩ Min.
 - DIELECTRIC WITHSTANDING:300VAC.
 - CONTACT RESISTANCE:50mΩ Max.
 - OPERATING TEMPERATURE:-40°C TO +105°C.
- PART NUMBER: DS1030-01
- PRODUCT NUMBER CODE:



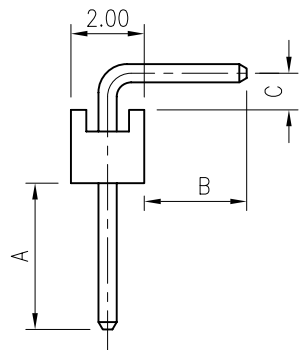
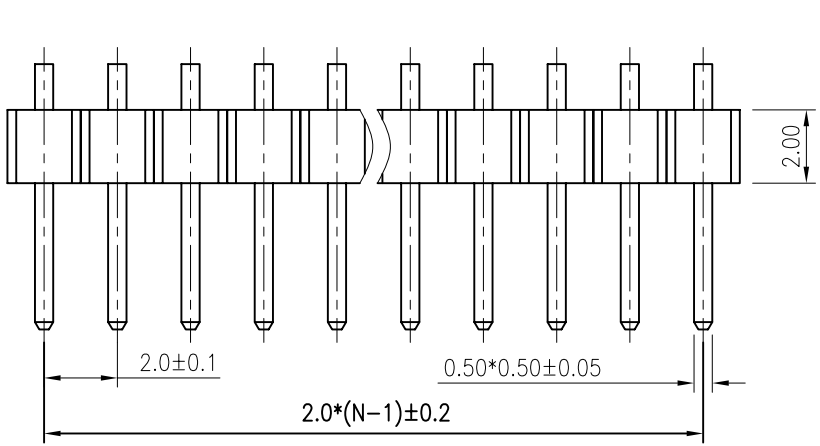
N:NUMBER OF CONTACTS



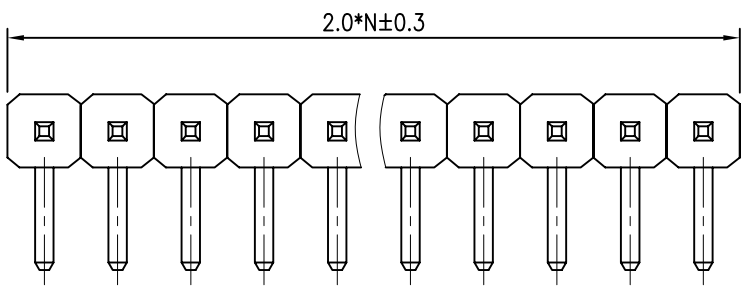
RECOMMEND PCB LAYOUT(TOLERANCE=±0.05)

GENERAL TOLERANCE		ANGLE TOLERANCE		PROJECTION		TITLE	2.0mm PITCH PIN HEADER SINGLE ROW STRAIGHT
X.	±0.60	X.	±5°	UNITS	mm	SHEET SIZE	A4
.X	±0.38	.X	±3'	SHEET SIZE	A4	SERIES	DS1030-01 SERIES
.XX	±0.25	.XX	±2'	晨翔电子有限公司 CONNFLY CONNFLY ELECTRONIC CO. LTD			
DRAWING TYPE		CUSTOMER					
SCALE		1:1 SHEET 1 OF 1					
DRAWING NO.		C-DS1030-01-XXXXXX					

REV.	DESCRIPTION	DRAWN	CHECKED	APPROVED
A	NEW RELEASE	LJH 05/17/05'		LJC 05/17/05'
B	统一尺寸规格	LL 11/16/06'		LJC 11/16/06'
C	增加尺寸选项	YCH 07/27/10'		



- NOTES:
- MATERIAL&FINISHES
 - INSULATOR:THERMOPLASTIC(UL 94V-0).
 - CONTACT MATERIAL: COPPER ALLOY.
 - SPECIFICATION
 - CURRENT RATING:1.5 Amp.
 - INSULATION RESISTANCE:1000MΩ Min.
 - DIELECTRIC WITHSTANDING:600VAC.
 - CONTACT RESISTANCE:20mΩMax.
 - OPERATING TEMPERATURE:-40°C TO +105°C.



3. PRODUCT NUMBER CODE:
 DS1025-02 - X X X X X - X

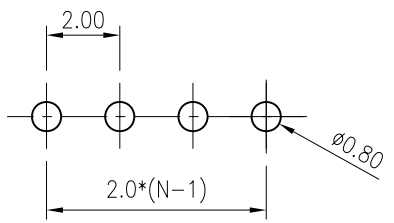
Dim. A B C type
 1: Type 1
 5: Type 5

 CONTACTS TYPE
 R:RIGHT ANGLE TYPE
 HOUSING COLOR
 B:BLACK
 CONTACT PLATING
 8:FULL GOLD FLASH
 CONNECTOR TYPE
 P:PLUG
 No.OF CONTACTS
 1*2-1*X

TABLE A:

TYPE	Dimension			Pin Length
	A	B	C	
1	4.00	2.80	1.00	10.50
2	5.00	2.50	1.00	11.00
3	5.00	4.75	0.75	13.10
4	3.80	3.80	0.75	11.00
5	2.50	2.80	1.30	9.20
6	3.70	3.00	1.75	11.00
7				

N: NUMBER OF CONTACTS
 A&B&C: CUSTOMER LENGTH AVAILABLE



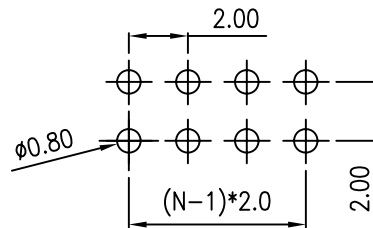
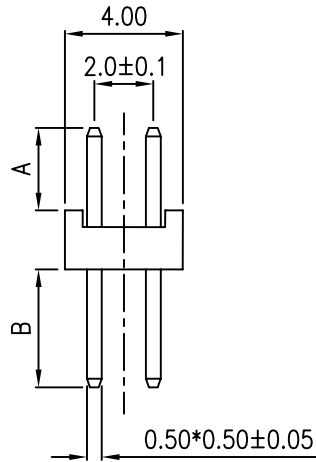
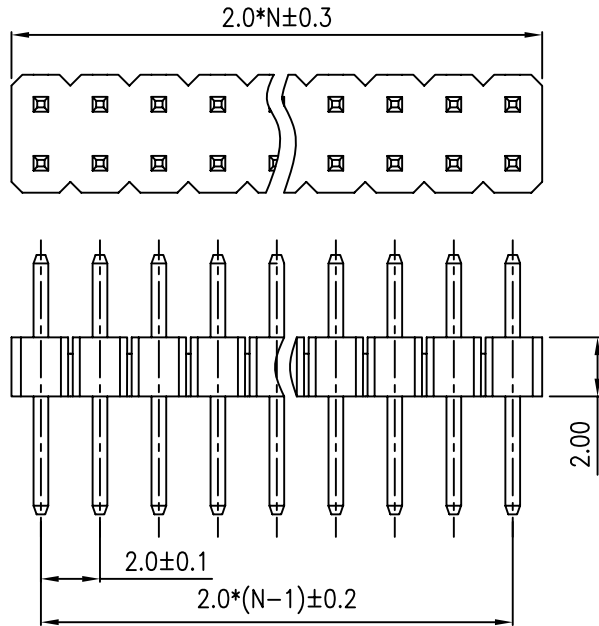
RECOMMEND PCB LAYOUT(TOLERANCE=±0.05)

GENERAL TOLERANCE		ANGLE TOLERANCE	
X.	±0.60	X.	±5'
.X	±0.38	.X	±3'
.XX	±0.25	.XX	±2'
DRAWING TYPE		CUSTOMER	
SCALE		1:1	SHEET 1 OF 1
DRAWING NO.		C-DS1025-02-XXXXX-X-C	

PROJECTION		TITLE	SINGLE ROW RIGHT ANGLE
UNITS	mm	SERIES	DS1025-02 SERIES
SHEET SIZE	A4		

晨翔电子有限公司
CONNFLY CONNFLY ELECTRONIC CO. LTD

A&B: CUSTOMER LENGTH AVAILABLE
N: HALF OF CONTACTS



RECOMMEND PCB LAYOUT
(TOLERANCE=±0.05)

TABLE A:

TYPE	Dimension		TYPE	Dimension	
	A	B		A	B
1	2.80	4.00	10	2.80	5.50
2	3.50	5.08	11	3.00	3.70
3	10.00	2.00	12	2.20	4.60
4	2.80	10.20	13	3.00	6.00
5	4.00	8.00	14	2.40	5.00
6	2.50	4.30	15		
7	2.80	3.90	16		
8	3.00	3.50	17		
9	3.00	3.80	18		

REV.	DESCRIPTION	DRAWN	CHECKED	APPROVED
A	NEW RELEASE	LJH 06/21/05'	~	LJC 06/21/05'
B	ADD DIM	LL 10/30/06'	~	LJC 10/30/06'
C	增加尺寸选项	YCH 07/27/10'	~	

NOTES:

- MATERIAL&FINISHES
 - INSULATOR:THERMOPLASTIC(UL 94V-0).
 - CONTACT MATERIAL: COPPER ALLOY.
- SPECIFICATION
 - CURRENT RATING:1.5 Amp.
 - INSULATION RESISTANCE:1000MΩ Min.
 - DIELECTRIC WITHSTANDING:600VAC.
 - CONTACT RESISTANCE:20mΩ Max.
 - OPERATING TEMPERATURE:-40°C TO +105°C.
- PART NUMBER: DS1025-05
- PRODUCT NUMBER CODE:
DS1025-05 - X X X X X X

TABLE A & DIM.A B TYPE

1: TYPE 1
7: TYPE 7

CONTACTS TYPE
V:VERTICAL TYPE
HOUSING COLOR
B:BLACK

CONTACT PLATING
8: FULL GOLD FLASH
6: TIN
CONNECTOR TYPE
P:PLUG


No.OF CONTACTS
2*2-2*X

SERIES No.
DS1025-05

GENERAL TOLERANCE		ANGLE TOLERANCE	
X.	±0.60	X.	±5'
.X	±0.38	.X	±3'
.XX	±0.25	.XX	±2'

DRAWING TYPE	CUSTOMER		
SCALE	1:1	SHEET	1 OF 1
DRAWING NO.	C-DS1025-05-XXXXXX-C		

PROJECTION	TITLE	DUAL ROW STRAIGHT	
UNITS	mm		
SHEET SIZE	A4	SERIES	DS1025-05 SERIES

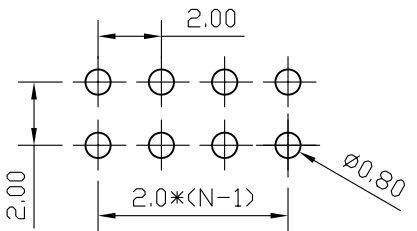
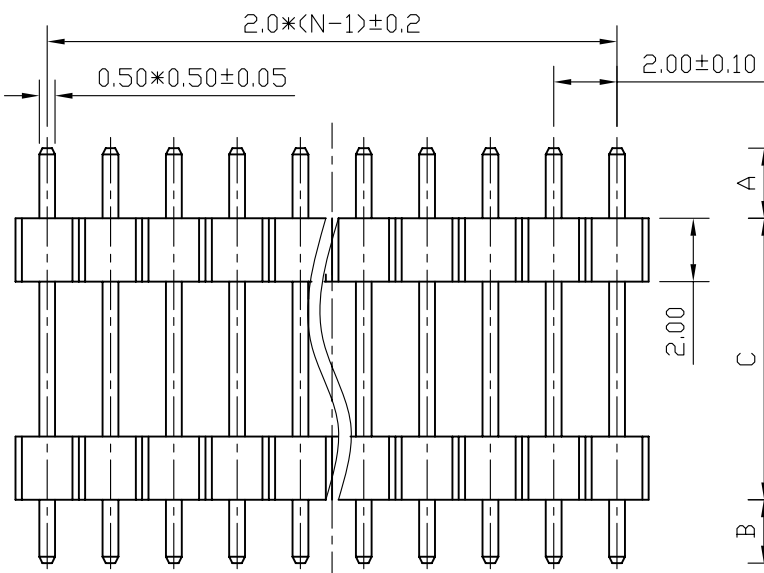
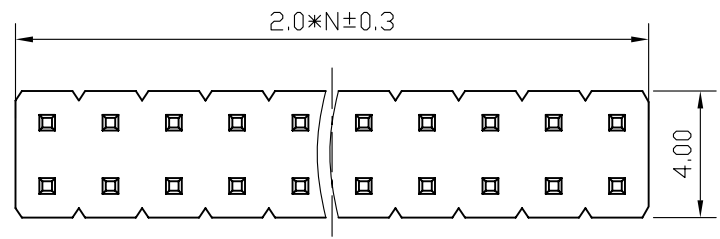
 晨翔电子有限公司
CONNFLY CONNFLY ELECTRONIC CO. LTD

REV.	DESCRIPTION	DRAWN	CHECKED	APPROVED
A	NEW RELEASE	LJH 04/13/06'	~~~~~	LJC 04/13/06'
B	ADD TABLE A	LJH 04/05/06'	~~~~~	LJC 04/05/06'
C	ADD DIM	LL 07/01/06'	~~~~~	LL 07/01/06'
D	ADD DIM	YCH 05/19/11'	~~~~~	

N: HALF OF CONTACTS

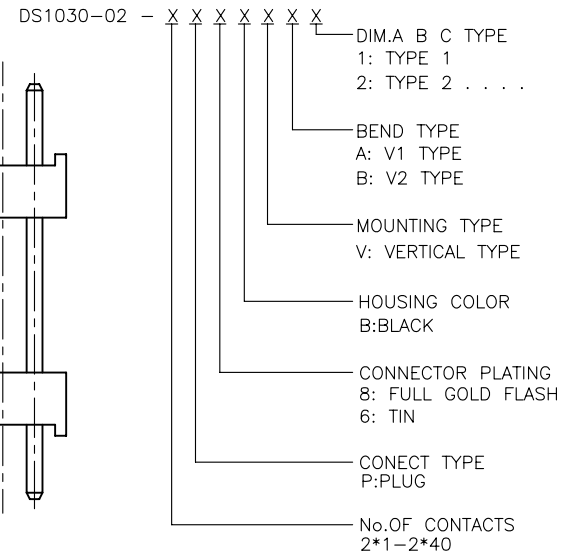
TABLE A:

TYPE	Dimension		
	A	C	B
1	3.20	9.60	2.20
2	4.00	5.70	2.80
3	3.00	22.00	3.00
4	6.00	10.40	3.00
5	3.20	9.60	2.20
6	3.20	15.75	2.20
7	4.00	9.00	3.00
8	3.60	7.50	2.50
9	4.60	8.20	3.60
10	3.50	13.50	3.00
11	3.50	21.40	2.80
12	3.70	21.70	3.70
13	6.00	12.00	3.00
14	3.50	6.00	2.50
15	6.50	8.50	3.00
16			
17			
18			
19			
20			
21			
22			
23			
24			
25			
26			
27			
28			
29			
30			
31			
32			
33			
34			
35			



NOTES:

- MATERIAL
 - INSULATOR:THERMOPLASTIC(UL94 V-0).
 - CONTACT MATERIAL:COPPER ALLOY.
- SPECIFICATION
 - CURRENT RATING:1.5 Amp.
 - INSULATION RESISTANCE:1000MΩ Min.
 - DIELECTRIC WITHSTANDING:600VAC.
 - CONTACT RESISTANCE:50mΩ Max.
 - OPERATING TEMPERATURE:-40°C TO+105°C.
- PART NUMBER: DS1030-02
- PRODUCT NUMBER CODE:



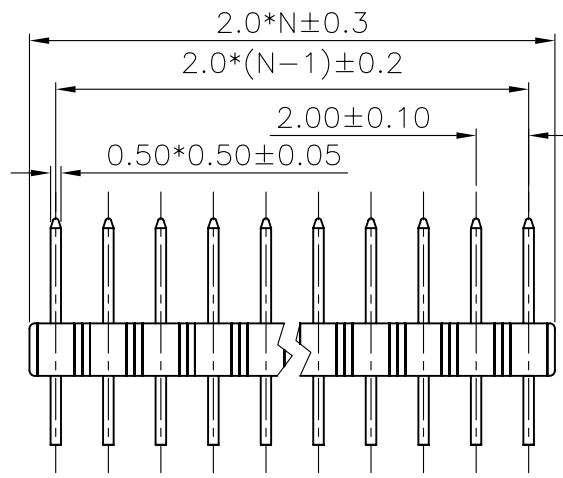
GENERAL TOLERANCE		ANGLE TOLERANCE	
X.	±0.60	X.	±5°
.X	±0.38	.X	±3°
.XX	±0.25	.XX	±2°

PROJECTION		TITLE	DUAL ROW STRAIGHT
UNITS	mm	SHEET SIZE	A4
SHEET SIZE	A4	SERIES	DS1030-02 SERIES

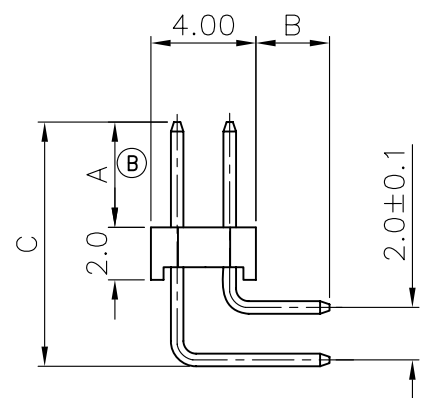
DRAWING TYPE	CUSTOMER		
SCALE	1:1	SHEET	1 OF 1
DRAWING NO.	C-DS1030-02-XXXXXX		

晨翔电子有限公司
CONNFLY CONNFLY ELECTRONIC CO. LTD

REV.	DESCRIPTION	DRAWN	CHECKED	APPROVED
A	NEW RELEASE	LJH 05/08/05'	~	LJC 05/08/05'
B	图画绘制错误	LL 08/11/06'	~	LJC 08/11/06'
C	增加规格尺寸	LL 01/15/07'		



A&B: CUSTOMER LENGTH AVAILABLE
N: NUMBER OF CONTACTS/2



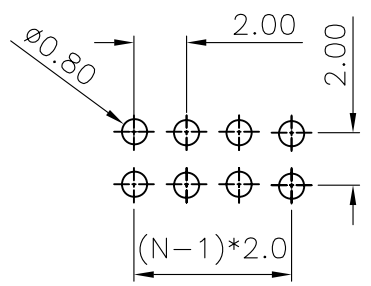
NOTES:

- MATERIAL&FINISHES
 - INSULATOR:THERMOPLASTIC(UL 94V-0).
 - CONTACT MATERIAL: COPPER ALLOY.
- SPECIFICATION
 - CURRENT RATING:1.5 Amp.
 - INSULATION RESISTANCE:1000MΩ Min.
 - DIELECTRIC WITHSTANDING:600VAC.
 - CONTACT RESISTANCE:20mΩ Max.
 - OPERATING TEMPERATURE:-40°C TO +105°C.
- PART NUMBER: DS1025-06
- PRODUCT NUMBER CODE:
DS1025-06 - X X X X X X

TABLE A

TYPE	Dimension			Pin Length
	A	B	C	
1	4.00	2.80	9.30	10.70 14.70
2	6.00	2.80	11.30	12.70 16.70
3	2.42	5.00	12.70	16.10 20.10
4	3.70	3.00	9.00	10.30 14.30
5	3.20	3.00	9.20	10.50 14.50
6	8.00	2.80	13.30	14.70 18.70
7				
8				
9				
10				

- Dim A/B/C type
1:Type 1
2:Type 2
.....
- CONTACTS TYPE
R:RIGHT ANGLE TYPE
- HOUSING COLOR
B:BLACK
- CONTACT PLATING
8: FULL GOLD FLASH
- CONNECTOR TYPE
P:PLUG
- No.OF CONTACTS
2*2-2*X



RECOMMEND PCB LAYOUT
(TOLERANCE=±0.05)

GENERAL TOLERANCE		ANGLE TOLERANCE		PROJECTION		TITLE	DUAL ROW RIGHT ANGLE	
X.	±0.60	X.	±5°	UNITS	mm			
.X	±0.38	.X	±3°	SHEET SIZE	A4	SERIES	DS1025-06 SERIES	
.XX	±0.25	.XX	±2°	晨翔电子有限公司 CONNFLY CONNFLY ELECTRONIC CO. LTD				
DRAWING TYPE		CUSTOMER						
SCALE	1:1	SHEET	1 OF 1					
DRAWING NO.		C-DS1025-06-XXXXX						

REV.	DESCRIPTION	DRAWN	CHECKED	APPROVED
A	NEW RELEASE	LJH 04/27/05'		

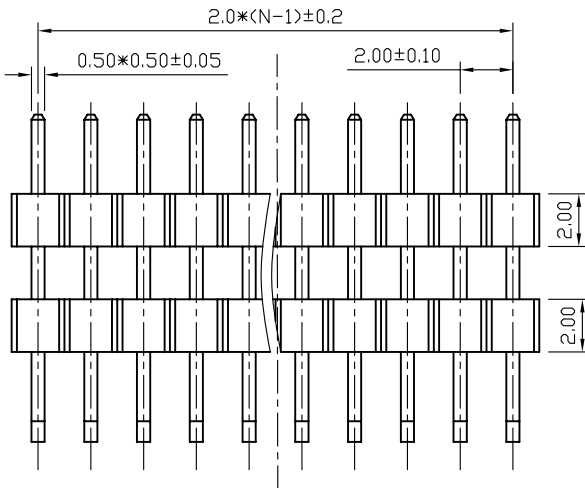
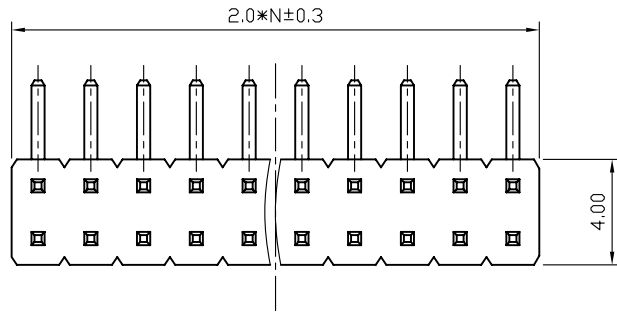
NOTES:

- MATERIAL
 - INSULATOR:THERMOPLASTIC(UL 94V-0).
 - CONTACT MATERIAL:COPPER ALLOY.
- SPECIFICATION
 - CURRENT RATING:1.5 Amp.
 - INSULATION RESISTANCE:1000MΩ Min.
 - DIELECTRIC WITHSTANDING:600VAC.
 - CONTACT RESISTANCE:50mΩ Max.
 - OPERATING TEMPERATURE:-40°C TO+105°C.

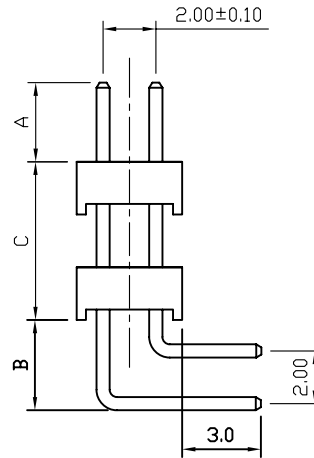
- PART NUMBER: DS1030-04
- PRODUCT NUMBER CODE:

DS1030-04 - X X X X X X X

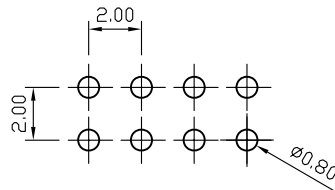
- DIM.A B C TYPE
1: TYPE 1
- MOUNTING TYPE
R: RIGHT ANGLE TYPE
- HOUSING COLOR
B:BLACK
- CONNECTOR PLATING
8: FULL GOLD FLASH
- CONECT TYPE
P:PLUG
- No.OF CONTACTS
2*1-2*40
- SERIES No.
DS1030-04



N:HALF OF CONTACTS

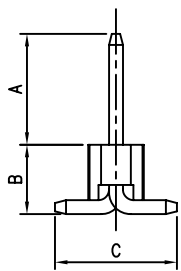
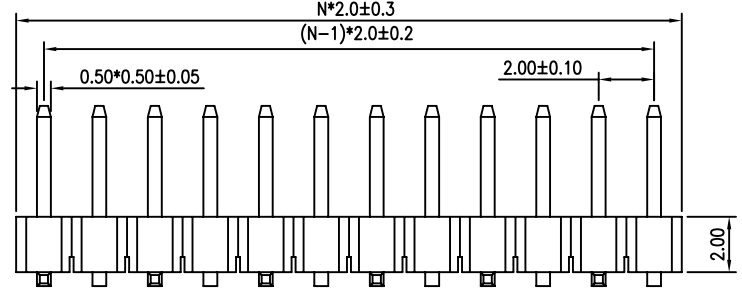
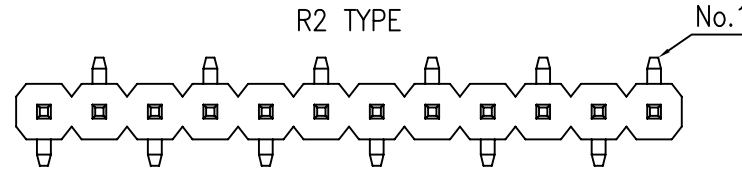
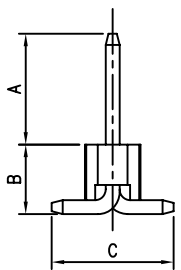
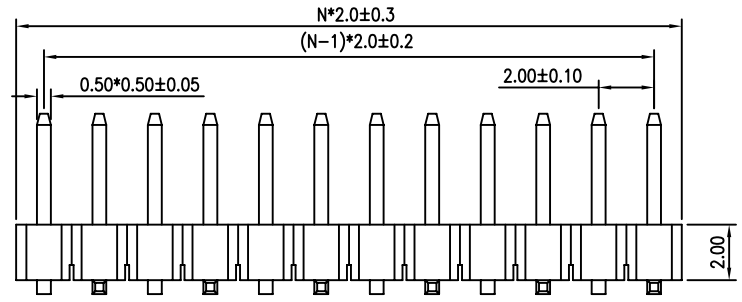
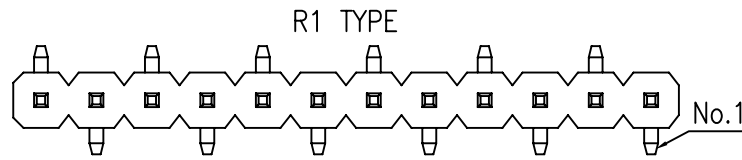


TYPE	DIM A	DIM B	DIM C
1	4.00	3.40	7.50

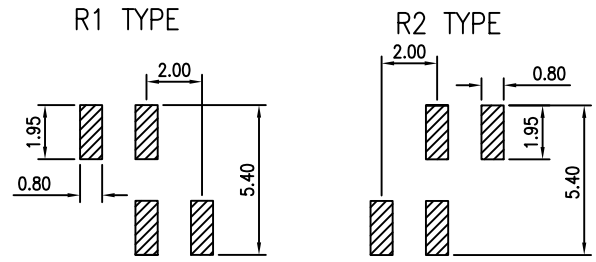


RECOMMEND PCB LAYOUT(TOLERANCE=±0.05)

GENERAL TOLERANCE		ANGLE TOLERANCE		PROJECTION	TITLE	2.0mm PITCH PIN HEADER DUAL ROW RIGHT ANGLE	
X.	±0.60	X.	±5°		mm		
.X	±0.38	.X	±3°		A4	SERIES	DS1030-04 SERIES
.XX	±0.25	.XX	±2°				
DRAWING TYPE		CUSTOMER		晨翔电子有限公司 CONNFLY CONNFLY ELECTRONIC CO. LTD			
SCALE		1:1 SHEET 1 OF 1					
DRAWING NO.		C-DS1030-04-XXXXXX					



N: NUMBER OF CONTACTS



RECOMMEND PCB LAYOUT(TOLERANCE=±0.05)

REV.	DESCRIPTION	DRAWN	CHECKED	APPROVED
A	NEW RELEASE	LJH 05/17/05'		

NOTES:

- MATERIAL&FINISHES
 - INSULATOR:THERMOPLASTIC(UL 94V-0).
 - CONTACT MATERIAL: COPPER ALLOY.
- SPECIFICATION
 - CURRENT RATING:1.5 Amp.
 - INSULATION RESISTANCE:1000MΩ Min.
 - DIELECTRIC WITHSTANDING:600VAC.
 - CONTACT RESISTANCE:30mΩ Max.
 - OPERATING TEMPERATURE:-40°C TO +105°C.
- PART NUMBER: DS1025-03
- PRODUCT NUMBER CODE:

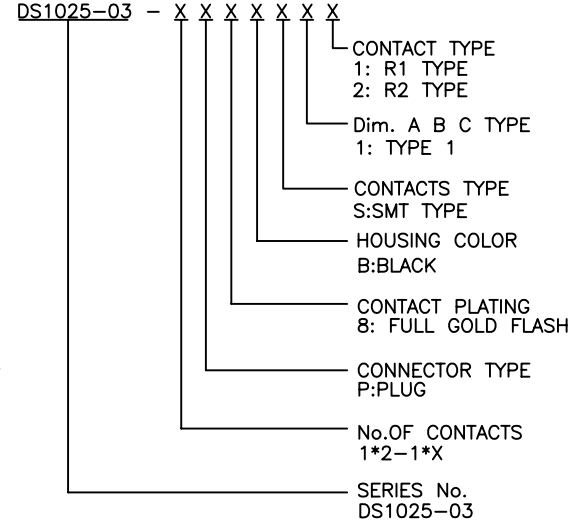


TABLE A:

TYPE	Dimension		
	A	B	C
1	4.00	2.50	4.40
2			
3			
4			
5			
6			
7			
8			
9			
10			

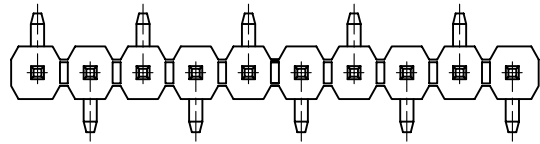
普通

GENERAL TOLERANCE		ANGLE TOLERANCE	
X.	±0.60	X.	±5°
.X	±0.38	.X	±3°
.XX	±0.25	.XX	±2°
DRAWING TYPE		CUSTOMER	
SCALE		1:1	SHEET 1 OF 1
DRAWING NO.		C-DS1025-03-XXXXXXX	

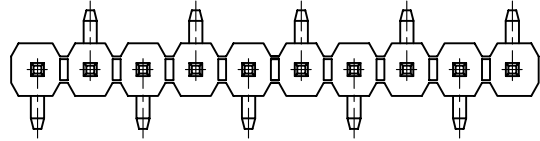
PROJECTION		TITLE	SINGLE ROW S.M.T
UNITS	mm	SHEET SIZE	A4
SHEET SIZE	A4	SERIES	DS1025-03 SERIES

晨翔电子有限公司
CONNFLY CONNFLY ELECTRONIC CO. LTD

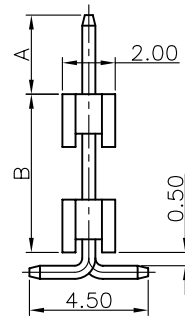
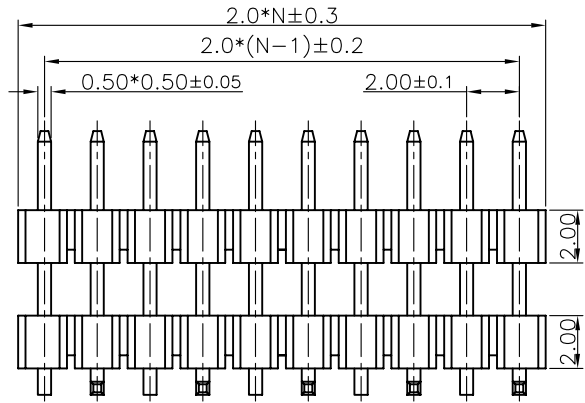
REV.	DESCRIPTION	DRAWN	CHECKED	APPROVED
A	NEW RELEASE	YCH 10/28/09'	~	



R1 TYPE



R2 TYPE

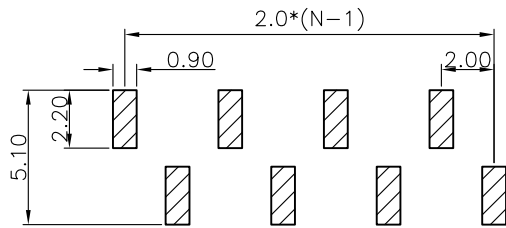


NOTES:

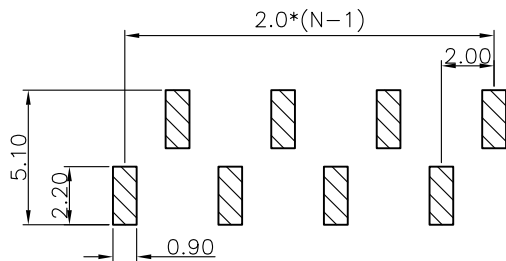
- MATERIAL
 - INSULATOR:THERMOPLASTIC(UL 94V-0).
 - CONTACT MATERIAL:COPPER ALLOY.
- SPECIFICATION
 - CURRENT RATING:1.5 Amp.
 - INSULATION RESISTANCE:1000MΩ Min.
 - DIELECTRIC WITHSTANDING:600VAC.
 - CONTACT RESISTANCE:50mΩ Max.
 - OPERATING TEMPERATURE:-40°C TO+105°C.
- PART NUMBER: DS1030-05
- PRODUCT NUMBER CODE:
DS1030-05 - X X X X X X

- BEND TYPE
 - 1: R1 TYPE
 - 2: R2 TYPE
- MOUNTING TYPE
 - S: SMT TYPE
- DIM.A B TYPE
 - 1: TYPE 1
- HOUSING COLOR
 - B:BLACK
- CONNECTOR PLATING
 - 8: FULL GOLD FLASH
- CONECT TYPE
 - P:PLUG
- No.OF CONTACTS
 - 1*2-1*40

TYPE	DIM A	DIM B
1	3.00	6.00
2		
3		
4		
5		
6		
7		
8		
9		
10		



R1 TYPE




R2 TYPE

RECOMMEND PCB LAYOUT
(TOLERANCE=±0.05)

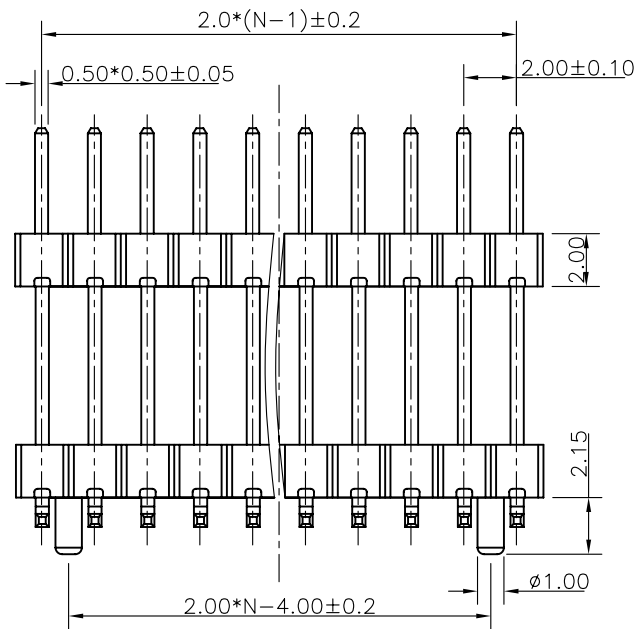
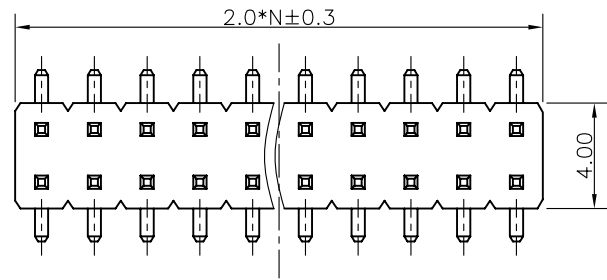
GENERAL TOLERANCE		ANGLE TOLERANCE	
X.	±0.60	X.	±5°
.X	±0.38	.X	±3°
.XX	±0.25	.XX	±2°

PROJECTION	TITLE	2.0mm PITCH PIN HEADER SINGLE ROW	
UNITS	mm	SHEET SIZE	A4
SHEET SIZE	A4	SERIES	DS1030-05 SERIES

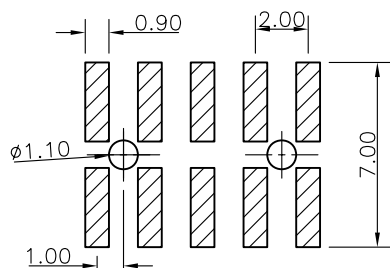
DRAWING TYPE	CUSTOMER		
SCALE	1:1	SHEET	1 OF 1
DRAWING NO.	C-DS1030-05-XXXXXXX		

 晨翔电子有限公司
CONNFLY CONNFLY ELECTRONIC CO. LTD

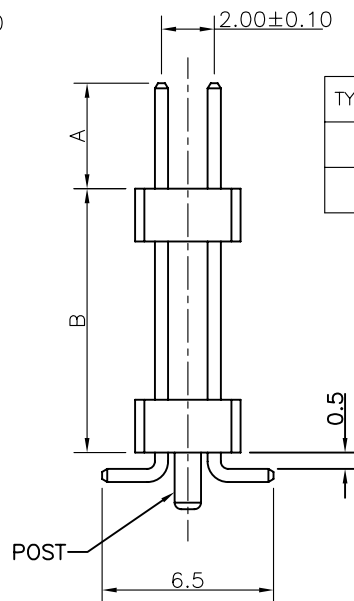
REV.	DESCRIPTION	DRAWN	CHECKED	APPROVED
A	NEW RELEASE	LJH 04/27/05'		



N:NUMBER OF CONTACTS/2



RECOMMEND PCB LAYOUT(TOLERANCE=±0.05)



TYPE	DIM A	DIM B
1	6.00	6.00
2	3.00	8.50


NOTES:

- MATERIAL
 - INSULATOR:THERMOPLASTIC(UL 94V-0).
 - CONTACT MATERIAL:COPPER ALLOY.
- SPECIFICATION
 - CURRENT RATING:1.5 Amp.
 - INSULATION RESISTANCE:1000MΩ Min.
 - DIELECTRIC WITHSTANDING:600VAC.
 - CONTACT RESISTANCE:50mΩ Max.
 - OPERATING TEMPERATURE:-40°C TO+105°C.

- PART NUMBER: DS1030-03
- PRODUCT NUMBER CODE:

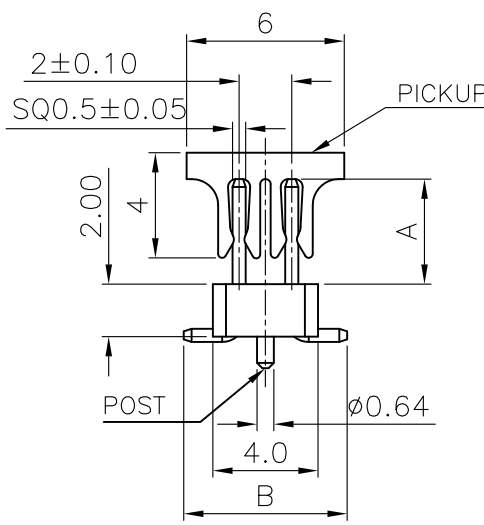
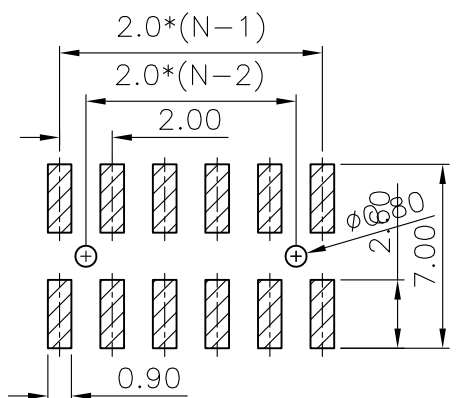
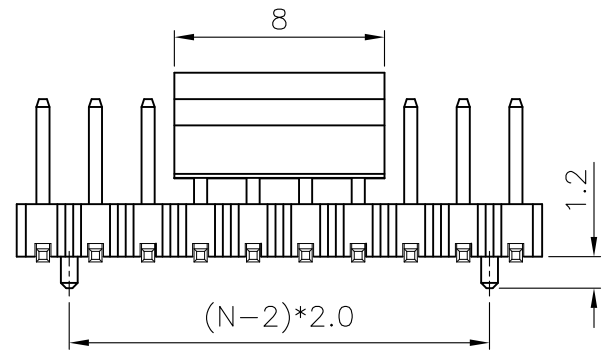
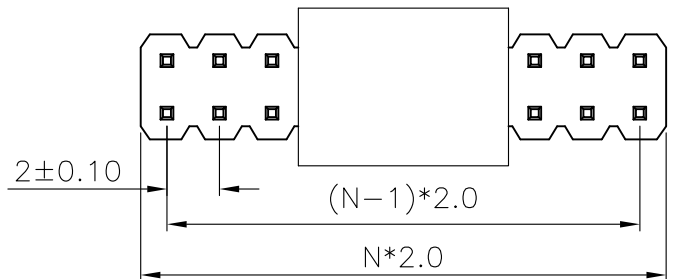
DS1030-03 - X X X X X X

- POST SUPPORT
S: W/ POST
X: W/O POST
- DIM.A B TYPE
1: TYPE 1
2: TYPE 2
- MOUNTING TYPE
S: SMT TYPE
- HOUSING COLOR
B:BLACK
- CONNECTOR PLATING
8: FULL GOLD FLASH
- CONNECT TYPE
P:PLUG
- No.OF CONTACTS
2*1-2*40
- SERIES No.
DS1030-03

GENERAL TOLERANCE		ANGLE TOLERANCE		PROJECTION	TITLE
X.	±0.60	X.	±5°	mm	2.0mm PITCH PIN HEADER
.X	±0.38	.X	±3°	A4	DUAL ROW W/N LOCATE PEG S.M.T
.XX	±0.25	.XX	±2°	SHEET SIZE	SERIES DS1030-03 SERIES
DRAWING TYPE		CUSTOMER		 晨翔电子有限公司 CONNPLY CONNPLY ELECTRONIC CO. LTD	
SCALE		1:1 SHEET 1 OF 1			
DRAWING NO.		C-DS1030-03-XXXXXXX			

REV.	DESCRIPTION	DRAWN	CHECKED	APPROVED
A	NEW RELEASE	LJC 05/08/05'	~	LJC 05/08/05'
B	整理图纸	YCH 07/19/08'	~	LJC 07/19/08'
C	ADD P/N CODE	YCH 12/03/13'	~	

N=NUMBER OF CONTACTS/2



TYPE	DIM A	DIM B
1	4.00	6.20
2	3.50	6.20

NOTES:

- MATERIAL
 - INSULATOR: THERMOPLASTIC(UL 94V-0).
 - CONTACT MATERIAL: COPPER ALLOY.
- SPECIFICATION
 - CURRENT RATING: 1.5 Amp.
 - INSULATION RESISTANCE: 1000MΩ Min.
 - DIELECTRIC WITHSTANDING: 600VAC.
 - CONTACT RESISTANCE: 20mΩ Max.
 - OPERATING TEMPERATURE: -40°C TO +105°C.
- PRODUCT NUMBER CODE:

DS1025-08 - X X X X X X X X-X-X

- PLATING LEVEL(FOR GOLD ONLY)
3A:LEVEL 3A B:LEVEL B
- DIM A,B Type
1: TYPE 1
2: TYPE 2
- POST SUPPORT TYPE
S: W/ POST
X: W/O POST
- PACKING TYPE
A: POLYBAG
B: TUBE
R: TAPE ON REEL
T: TRAY
- PICKUP SUPPORT
S: W/ PICKUP
X: W/O PICKUP
- HOUSING COLOR
B:BLACK
- CONTACT PLATING
8: FULL GOLD FLASH
- CONNECTOR TYPE
P:PLUG
- No.OF CONTACTS
2*2-2*X
- SERIES No.
DS1025-08

GENERAL TOLERANCE		ANGLE TOLERANCE		PROJECTION		TITLE	2.0 PITCH PIN HEADER SMT TYPE	
X.	±0.60	X.	±5°	UNITS	mm	DUAL ROW W/O LOCATE PEG		
.X	±0.38	.X	±3°	SHEET SIZE	A4	SERIES	DS1025-08 SERIES	
.XX	±0.25	.XX	±2°	晨翔电子有限公司 CONNFLY ELECTRONIC CO. LTD				
DRAWING TYPE		CUSTOMER						
SCALE	1:1	SHEET	1 OF 1					
DRAWING NO.		C-DS1025-08-XXXXXXX-X-C						

REV.	DESCRIPTION	DRAWN	CHECKED	APPROVED
A	NEW RELEASE	YCH 12/10/07'	~	

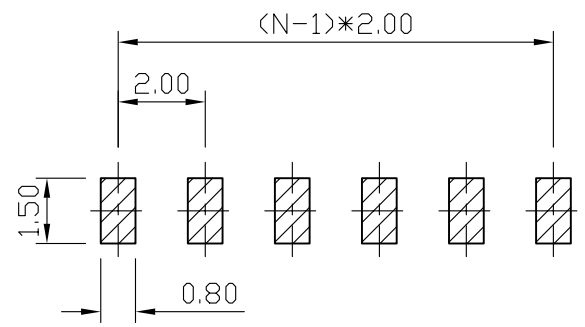
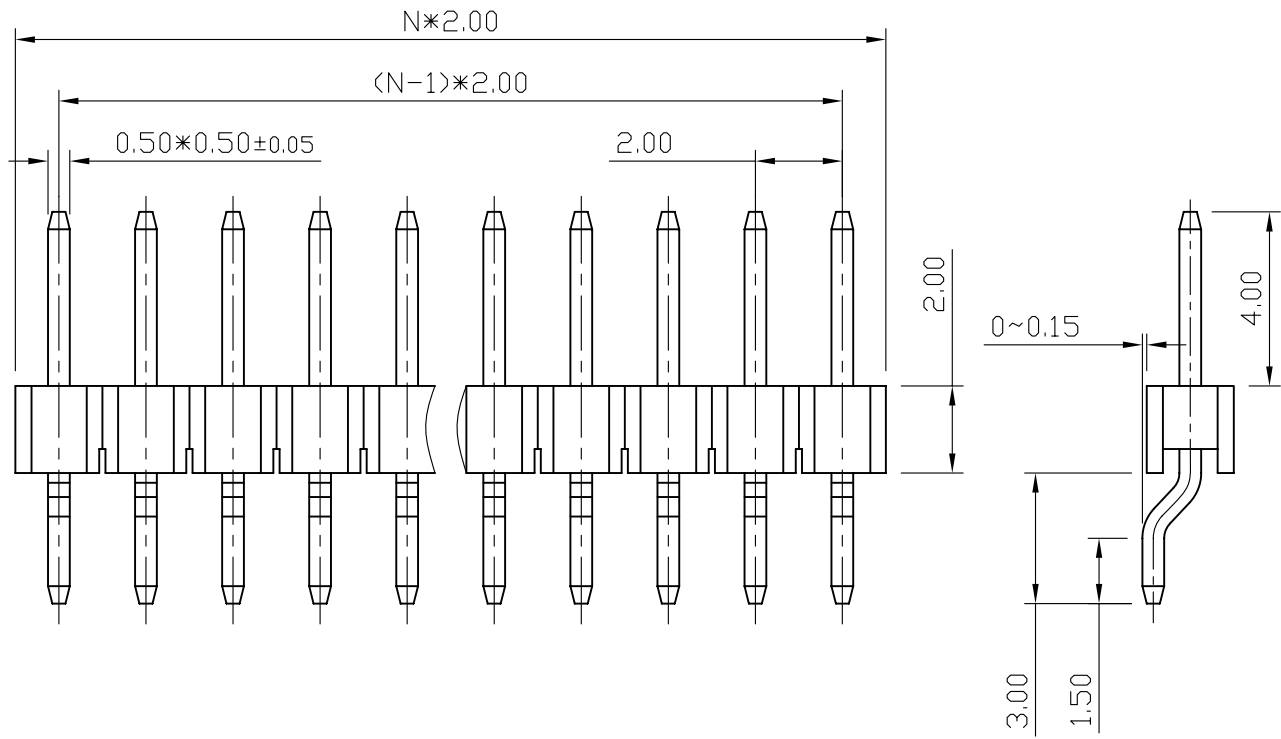
NOTES:

- MATERIAL
 - INSULATOR:THERMOPLASTIC(UL 94V-0).
 - CONTACT MATERIAL: COPPER ALLOY.
- SPECIFICATION
 - CURRENT RATING:1.5 A.
 - INSULATION RESISTANCE:1000MΩ Min.
 - DIELECTRIC WITHSTANDING:600VAC.
 - CONTACT RESISTANCE:20mΩ Max.
 - OPERATING TEMPERATURE:-40°C TO +105°C.

3. PRODUCT NUMBER CODE:

DS1025-04 - X X X X X

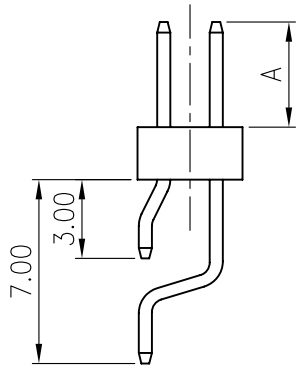
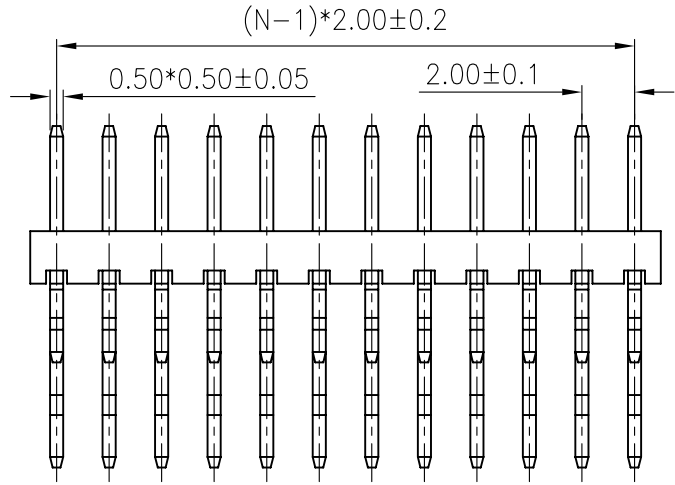
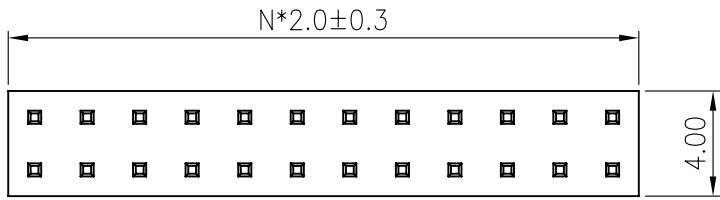
- CONTACTS TYPE
S:SMT TYPE
- HOUSING COLOR
B:BLACK
- CONTACT PLATING
8:FULL GOLD FLASH
- CONNECTOR TYPE
P:PLUG
- No.OF CONTACTS
1*2-1*40
- SERIES No.
DS1025-04



RECOMMEND PCB LAYOUT(TOLERANCE=±0.05)

GENERAL TOLERANCE		ANGLE TOLERANCE		PROJECTION		TITLE	PIN HEADER PITCH 2.0mm SMT TYPE	
X.	±0.60	X.	±5°	UNITS	mm			
.X	±0.38	.X	±3°	SHEET SIZE	A4	SERIES	DS1025-04 SERIES	
.XX	±0.25	.XX	±2°	晨翔电子有限公司 CONNFLY CONNFLY ELECTRONIC CO. LTD				
DRAWING TYPE		CUSTOMER						
SCALE	1:1	SHEET	1 OF 1					
DRAWING NO.		C-DS1025-04-XXXXXX						

REV.	DESCRIPTION	DRAWN	CHECKED	APPROVED
A	NEW RELEASE	LJH 05/08/05'		



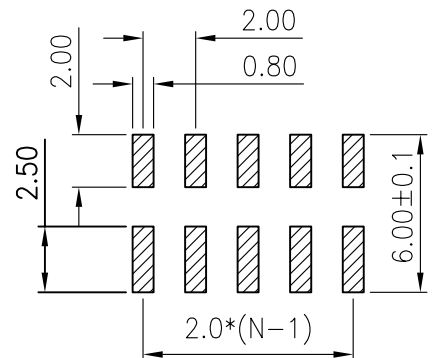
NOTES:

- MATERIAL&FINISHES
 - INSULATOR:THERMOPLASTIC(UL 94V-0).
 - CONTACT MATERIAL: COPPER ALLOY.
- SPECIFICATION
 - CURRENT RATING:1.5 Amp.
 - INSULATION RESISTANCE:1000MΩ Min.
 - DIELECTRIC WITHSTANDING:600VAC.
 - CONTACT RESISTANCE:30mΩ Max.
 - OPERATING TEMPERATURE:-40°C TO +105°C.
- PART NUMBER: DS1025-07
- PRODUCT NUMBER CODE:

DS1025-07 - X X X X X X

- DIM A TYPE
1: TYPE 1
- CONTACTS TYPE
S:SMT TYPE
- HOUSING COLOR
B:BLACK
- CONTACT PLATING
8: FULL GOLD FLASH
- CONNECTOR TYPE
P:PLUG
- No.OF CONTACTS
2*2-2*X
- SERIES No.
DS1025-07

N: NUMBER OF CONTACTS/2



RECOMMEND PCB LAYOUT(TOLERANCE=±0.05)

TYPE	A
1	4.00
2	
3	
4	
5	

GENERAL TOLERANCE		ANGLE TOLERANCE		PROJECTION		TITLE	DUAL ROW RIGHT ANGLE S.M.T	
X.	±0.60	X.	±5°	UNITS	mm			
.X	±0.38	.X	±3°	SHEET SIZE	A4	SERIES	DS1025-07 SERIES	
.XX	±0.25	.XX	±2°	晨翔电子有限公司 CONNFLY CONNFLY ELECTRONIC CO. LTD				
DRAWING TYPE		CUSTOMER						
SCALE	1:1	SHEET	1 OF 1					
DRAWING NO.		C-DS1025-07-XXXXXX						