

# CERAMIC DISC CAPACITOR

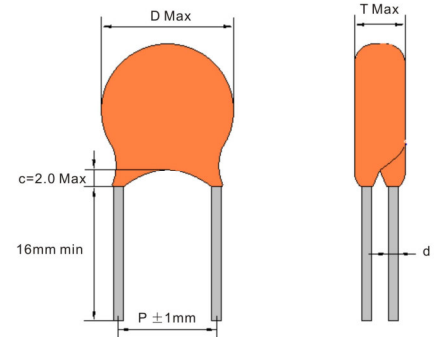
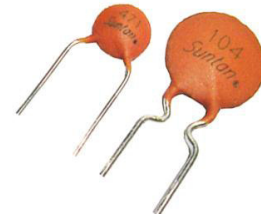
Suntan®

## CLASS I TEMPERATURE COMPENSATION

# TS15

### FEATURES

- Linear temperature coefficient of capacitance.
- High stability of capacitance.
- Low loss at wide range of frequency.



## SPECIFICATIONS

OPERATING TEMPERATURE RANGE	-25°C TO +85°C
RATED WORKING VOLTAGE	DC 50V, 100V, 500V
TEST VOLTAGE	3 times of the rated voltage
CAPACITANCE	Within the tolerance at 1 MHz, 1±0.2 Vrms, 25°C
Q FACTOR	At 1 MHz, 1±0.2 Vrms, 25°C C≥30pF .....Q≥1,000 C<30pF .....Q≥400+20°C (C: Rated capacitance)
INSULATION RESISTANCE	10,000 MΩmin.

Capacitance	Rated Volt. (VDC)	Tolerance	Material	D Φmax (mm)	T max (mm)	Pitch ±1mm	d ±0.05mm
1pF~9pF	50V	±0.25pF	NPO	6	3.5	2.54 / 5.08	0.4
10pF~22pF	50V	±5%	NPO	6	3.5	2.54 / 5.08	0.4
		±10%	NPO	6	3.5	2.54 / 5.08	0.4
		±10%	NPO	5	3.5	2.54 / 5.08	0.4
23pF~120pF	50V	±5%	SL	6	3.5	2.54 / 5.08	0.4
		±10%	SL	6	3.5	2.54 / 5.08	0.4
150pF~220pF	50V	±5%	SL	6	3.5	2.54 / 5.08	0.4
		±10%	SL	6	3.5	2.54 / 5.08	0.4
330pF~820pF	50V	±10%	Y5P	6	3.5	2.54 / 5.08	0.4
1000pF	50V	±10%	Y5P	6	3.5	2.54 / 5.08	0.4
1200pF~2200pF	50V	±10%	Y5P	6	3.5	2.54 / 5.08	0.4
2700pF~3300pF	50V	±10%	Y5P	7	3.5	2.54 / 5.08	0.4
4700pF	50V	±10%	Y5P	6	3.5	2.54 / 5.08	0.4
6800pF	50V	±10%	Y5P	6	3.5	2.54 / 5.08	0.4
2200pF~8800pF	50V	±20%	Y5U	6	3.5	2.54 / 5.08	0.4
0.01uF	50V	+80-20%	Z5V/Y5V	6	3.5	2.54 / 5.08	0.4
		±20%	Y5V	7	3.5	2.54 / 5.08	0.4
		±20%	Y5V	6	3.5	2.54 / 5.08	0.4
		±10%	Y5P	6	3.5	2.54 / 5.08	0.4
0.015uF~0.022uF	50V	±10%	Y5P	6.6	3.5	2.54 / 5.08	0.4
		+80-20%	Y5V	6	3.5	2.54 / 5.08	0.4
		±20%	Y5V	6	3.5	2.54 / 5.08	0.4
		±20%	Y5U	6	3.5	2.54 / 5.08	0.4
0.033uF~0.047uF	50V	+80-20%	Y5V	6	3.5	2.54 / 5.08	0.4
		±20%	Y5V	6	3.5	2.54 / 5.08	0.4
		±20%	Y5U	6	3.5	2.54 / 5.08	0.4
0.047uF	50V	±10%	Y5P	9.5	3.5	5.08	0.5
0.068uF~0.1uF	16V	+80-20%	Y5V	6.4	3.5	2.54 / 5.08	0.4
	25V	+80-20%	Y5V	6.6	3.5	2.54 / 5.08	0.4
	50V	+80-20%	Y5V	7	3.5	2.54 / 5.08	0.4
0.068uF~0.1uF	25V	±20%	Y5V	6.6	3.5	2.54 / 5.08	0.4
	50V	±20%	Y5V	7	3.5	2.54 / 5.08	0.4
	50V	±20%	Y5V	8	4.0	2.54 / 5.08	0.5
	50V	±20%	Y5U	9	4.0	5.08	0.5
0.1uF	50V	±10%	Y5P	10	4.0	5.08	0.5
0.15uF~0.22uF	50V	+80-20%	Y5V	9.5	4.0	5.08	0.5
		±20%	Y5U	9.5	4.0	5.08	0.5

Note: Specification are subject to change without notice. For more detail and update, please visit our website.

# CERAMIC DISC CAPACITOR

Suntan®

# TS15

## FEATURES

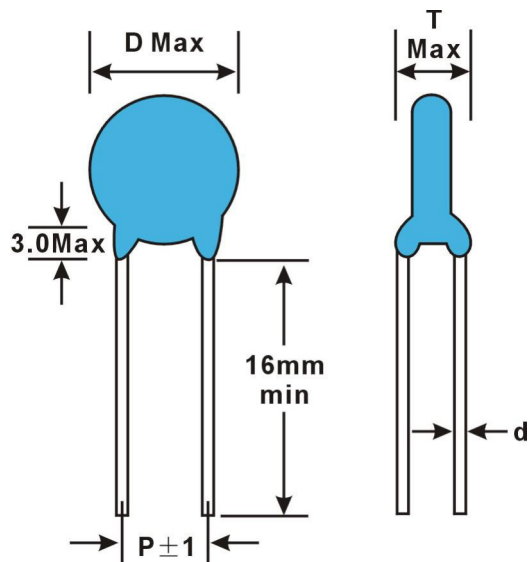
- Linear temperature coefficient of capacitance.
- High stability of capacitance.
- Low loss at wide range of frequency.

## SPECIFICATIONS

OPERATING TEMPERATURE RANGE	-40°C TO +85°C
RATED VOLTAGE	DC 500V
CAPACITANCE AND DISSIPATION FACTOR TESTING CONDITION	SL/NPO: 25°C, 1±0.1MHz, 1.0Vrms Y5P/Y5U/Y5V: 25°C, 1±0.1MHz, 1.0Vrms
DISSIPATION FACTOR (tanδ)	SL/NPO: ≤0.15% Y5P/Y5U/Y5V: ≤2.5%
WITHSTAND VOLTAGE	1.5U <sub>r</sub> +500V(DC)
INSULATION RESISTANCE (I.R.)	SL/NPO: IR≥10000MΩ Y5P/Y5U/Y5V: IR≥4000MΩ
TEMPERATURE CHARACTERISTIC	SL, NPO, Y5P, Y5U, Y5V



## Outline Drawing Dimensions (mm)



RATED W. V	Y5P (±10%)	Y5U (±20%)	Y5V (±20%, +80-20%)	SL (±10%)	NPO (±0.5pF, ±10%)	DIMENSION			
						D	P	T	d
500V	100~1500pF	1000~2200pF	2700~4700pF	12~100pF	0.5~22pF	6.5	5.0	3.0	0.5
	--	2700~4700pF	6800pF	--	--	7.5			
	2200~2700pF	5600~6800pF	6800pF~0.01uF	--	--	8.5			
	3300pF	0.01uF	0.015uF	--	--	10.5			
	4700pF	--	0.02uF~0.022uF	--	--	11.5			
	0.01uF	--	--	--	--	15.5	7.5	3.5	0.6
	--	--	0.047uF	--	--	18.0			

Note: Specifications are subject to change without notice. For more detail and update, please visit our website.