

KBPC25005W THRU KBPC2510W

Single Phase 25 AMPS. Silicon Bridge Rectifiers

Voltage Range 50 to 1000 Volts Current 25 Amperes

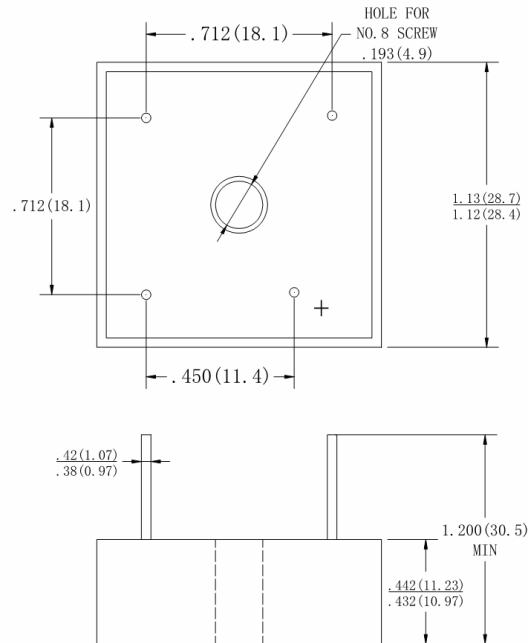
FEATURES

- ◆ Ideal for printed circuit board
- ◆ Reliable low cost construction technique results in inexpensive product
- ◆ High temperature soldering guaranteed:
260°C / 10 seconds / 0.375" (9.5mm)
lead length at 5 lbs., (2.3 kg) tension
- ◆ UL Recognized File number: E347215

Mechanical Data

- ◆ Case: Metal plastic with Wire Leads
- ◆ Lead: solder plated
- ◆ Polarity: As marked

KBPC-W



Dimensions in inches and (millimeters)

MAXIMUM RATINGS AND ELECTRICAL CHARACTERISTICS

Rating at 25°C ambient temperature unless otherwise specified.

Single phase, half wave, 60Hz, resistive or inductive load. For capacitive load, derate current by 20%

Type Number		KBPC 25005W	KBPC 2501W	KBPC 2502W	KBPC 2504W	KBPC 2506W	KBPC 2508W	KBPC 2510W	UNITS
Maximum Repetitive Peak Reverse Voltage	V_{RRM}	50	100	200	400	600	800	1000	V
Maximum RMS Voltage	V_{RMS}	35	70	140	280	420	560	700	V
Maximum DC blocking Voltage	V_{DC}	50	100	200	400	600	800	1000	V
Maximum Average Forward Rectified Current @ $T_C = 55^\circ C$	$I(AV)$	25							A
Peak Forward Surge Current, 8.3 ms Single Half Sine-wave Superimposed on Rated Load (JEDEC method)	I_{FSM}	300							A
Maximum Instantaneous Forward Voltage @12.5A	V_F	1.1							V
Maximum DC Reverse Current at Rated DC Blocking voltage per Element	I_R	10							μA
Typical Thermal Resistance (Note)	$R\theta_{JC}$	2.0							$^\circ C/W$
Operating Temperature Range	T_J	-55 to +150							$^\circ C$
Storage Temperature Range	T_{STG}	-55 to +150							$^\circ C$

Note: Thermal Resistance from Junction to Case.

KBPC25005W THRU KBPC2510W

Single Phase 25 AMPS. Silicon Bridge Rectifiers

Voltage Range 50 to 1000 Volts Current 25 Amperes

RATING AND CHARACTERISTIC CURVES KBPC25005W THRU KBPC2510W

FIG.1- MAXIMUM NON-REPETITIVE FORWARD SURGE CURRENT PER BRIDGE ELEMENT

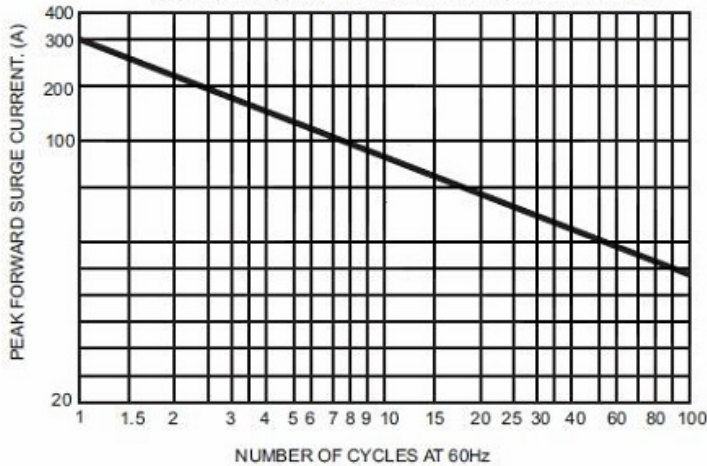


FIG.2- MAXIMUM FORWARD CURRENT DERATING CURVE

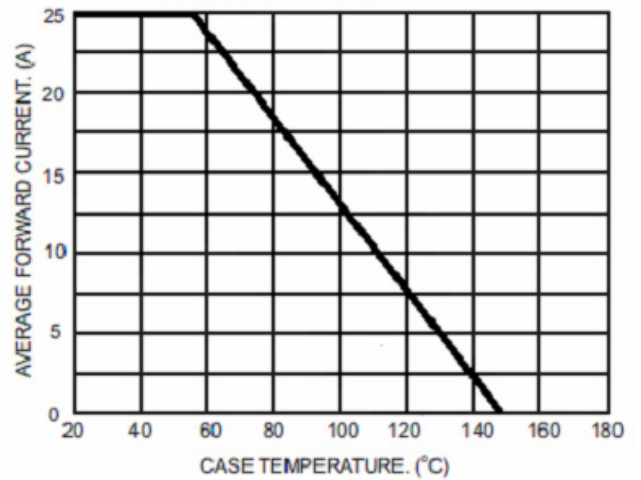


FIG.3- TYPICAL FORWARD CHARACTERISTICS PER BRIDGE ELEMENT

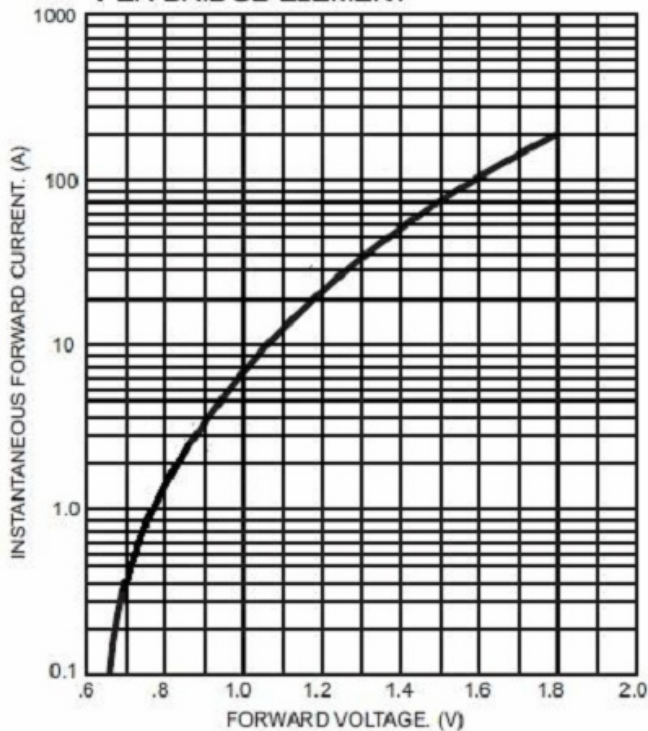
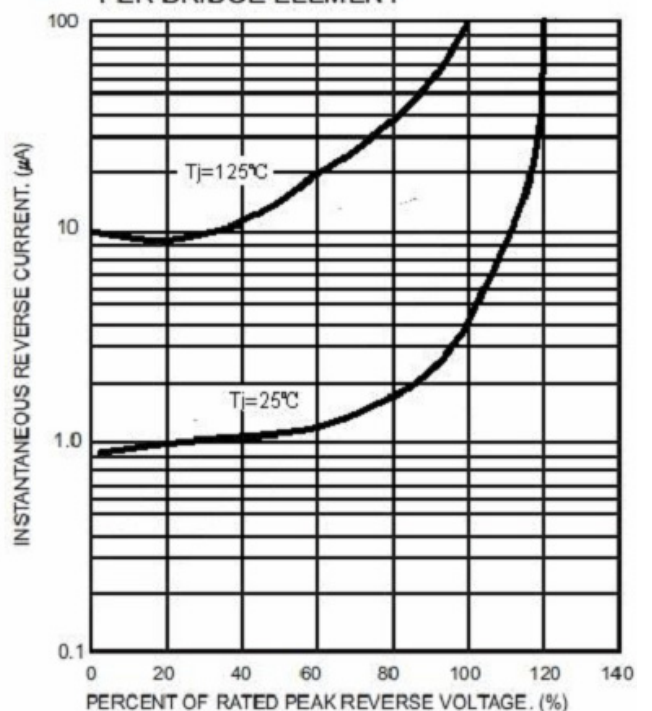


FIG.4- TYPICAL REVERSE CHARACTERISTICS PER BRIDGE ELEMENT



Note: Specification are subject to change without notice. For more detail and update, please visit our website.