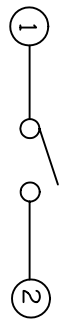
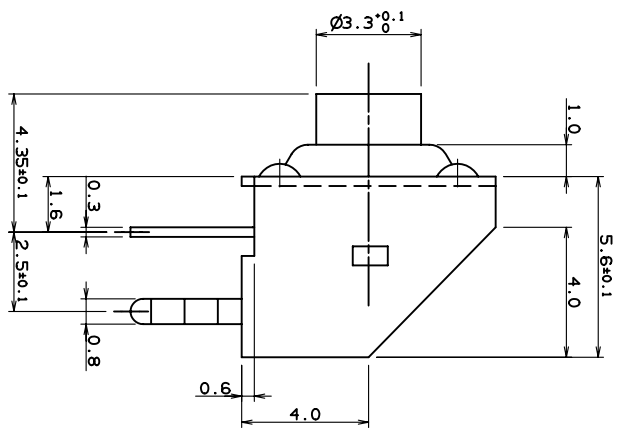
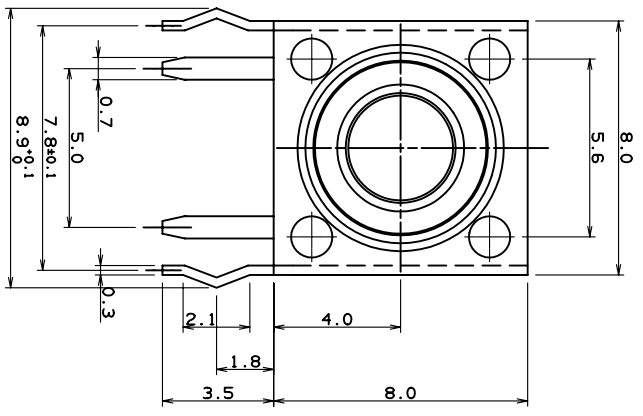


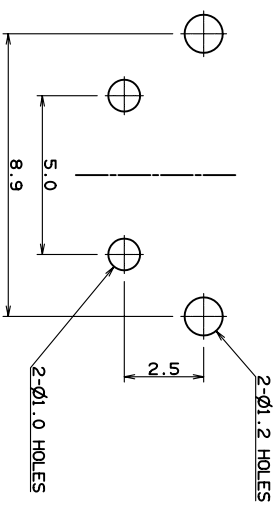
CIRCUIT DIAGRAM



MODEL	"L"
1170V	3.55mm
1170VA	4.25mm
1170VB	8.25mm
1170VF	6.25mm



P.C.B DIMENSION



NOTE

1. OPERATING FORCE : 200 ± 50gf
2. GENERAL TOLERANCE : ± 0.3
3. TRAVEL : 0.25 ± 0.1mm
4. CONTACT RESISTANCE : 100ma Max
5. MOISTURE PROOF TYPE

No.	PART NAME	Q'TY	MATERIAL	SIZE	TREAT.	REMARKS
5						
3						
2						
APPROVED		3RD ANGLE PROJECTION	UNIT m/m	SCALE 5/1	MODEL 1170V TYPE	
CHECKED		DESIGNED			DWG. NAME ASS'Y DIAGRAM	
NO.	DATE	NOTE	SIGN	01.02.10	DWG. NO.	