



# SAMXON

POWER FILM CAPACITORS

2016-2017



# QC 080000



# ISO 9001 ISO 14001



# ACCREDITED

# 目录

## Table of Contents

产品一览表 Series Table .....	P.2
产品编码 Part Number System.....	P.3
技术名词和定义 Technical Terms and Definitions .....	P.6



### 直流链支撑电容器 DC-Link

PDE Series 800 to 2400VDC .....	P.11
PDP Series 600 to 2500VDC.....	P.13
PDF Series 600 to 2200VDC .....	P.16
PDB Series 500 to 1100VDC .....	P.18



### 吸收电容器 Snubber

PSM Series 700 to 3000VDC .....	P.21
Lug Style for PSM Series .....	P.26
PSD/PS4 Series 700 to 3000VDC.....	P.28
PSC Series 700 to 3000VDC.....	P.38



### 交流滤波电容器 AC Filter

PAF Series 400 to 850VAC .....	P.47
--------------------------------	------

# 产品一览表

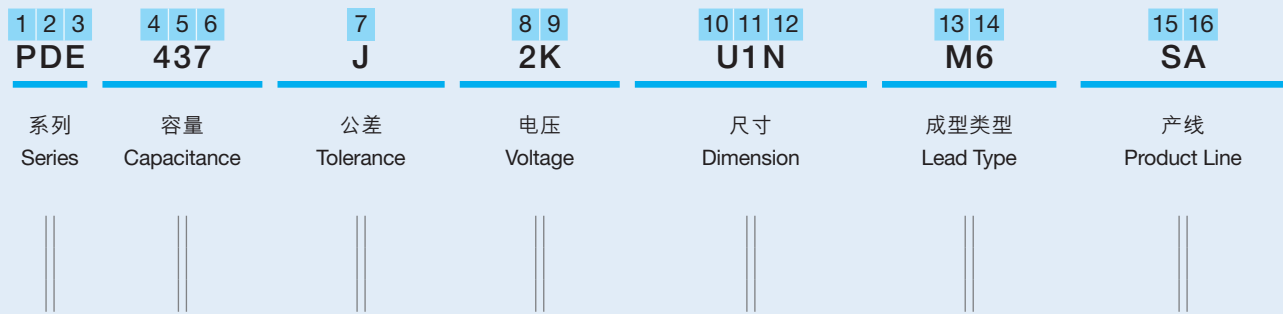
## Series Table

产品类别 Product Type	系列 Series	电压 Voltage	容量 Capacitance (uF)	页面 Page
直流链支撑电容器 DC-Link				
DC-Link	PDE	800 to 2400VDC	80 to 1000	11
DC-Link	PDP	600 to 2500VDC	75 to 2750	13
DC-Link	PDF	600 to 2200VDC	6.8 to 220	16
DC-Link	PDB	500 to 1100VDC	6 to 80	18
吸收电容器 Snubber				
Snubber	PSM	700 to 3000VDC	0.047 to 10	21
Snubber	PSD/PS4	700 to 3000VDC	0.0068 to 8.5	28
Snubber	PSC	700 to 3000VDC	0.01 to 5.6	38
交流滤波电容器 AC Filter				
AC Filter	PAF	400 to 850VAC	3 x 30 to 3 x 500	47



# 产品编码 Part Number System

## 直流链支撑电容器产品 DC-Link Product



系列 Series	容量 Capacitance	公差 Tolerance	电压 Voltage	尺寸 Dimension	成型类型 Lead Type	产线 Product Line
PDE	6	±5%	450	76 x 120	M5 x 8	仅内部使用 (产线有 H,A,B,C,D,E,M or 0,1,2,3,4,5,9)
PDP	6.8	±10%	500	76 x 225	M6 x 8	For internal use only (The product lines we have H,A,B,C,D,E,M or 0,1,2,3,4,5,9)
PDF	10		600	86 x 120	M8 x 20	
PDB	200		700	86 x 225	M6 x 10	
	1000		800	76 x 120	M8 x 20	
	1050		900	86 x 120	M6 x 8	
	1100		1000	86 x 225	M8 x 8	
	1200		1100	116 x 125	M8 x 10	
	1250		1200	116 x 130	M8 x 20	
	1350		1300	116 x 150	M10 x 20	
	1450		1400	136 x 125		
	1500		1500	136 x 180		
	1700		1600	136 x 230		
	1800		1800	136 x 260		
	1900		1900	136 x 335		
	2000		2000	87 x 41		
	2550		2200	87 x 51		
	2750		2300	87 x 65		
			2400	42.5 x 22 x 30		
			2500	42.5 x 28 x 37		
			3000	42.5 x 30 x 45		
			6000	42.5 x 33 x 45		
			8000	57.5 x 30 x 45		
				57.5 x 35 x 50		
				57.5 x 42.5 x 56		

特征 Feature	代码 Code	特征 Feature	代码 Code
2 leads	2	5 mm	E
4 leads	4	30 mm	3

# 产品编码 Part Number System

## 吸收电容器产品 Snubber Product

1 2 3 PSM			4 5 6 105			7 J		8 9 2S		10 11 12 D2G			13 14 SB		15 16 S1	
系列 Series			容量 Capacitance			公差 Tolerance		电压 Voltage		尺寸 Dimension			接线方式 Lug Style		产线 Product Line	
系列 Series	容量 Cap. ( $\mu$ F)	代码 Code	公差 Tol. (%)	代码 Code	电压 Vol. (V)	代码 Code	尺寸 Dimension (mm)	代码 Code	特征 Feature	代码 Code	产线 Product Line					
PSM	0.01	103	$\pm 5\%$	J	700	2S	42.5 x 15 x 26	A26	Style CF	CF	仅内部使用 (产线有 H,A,B,C,D,E,M or 0,1,2,3,4,5,9)  For internal use only (The product lines we have H,A,B,C,D,E,M or 0,1,2,3,4,5,9)					
PSD	0.015	153	$\pm 10\%$	K	850	2R	57.5 x 30 x 45	S45	Style SB	SB						
PS4	0.022	223			1000	3A	10.4 x 44	G44	Style SC	SC						
PSC	0.033	333			1200	3O	11.1 x 44	Y14	Style SD	SD						
	0.047	473			1500	3Z	12.7 x 37	H77	Style SE	SE						
	0.068	683			1700	37	13.1 x 32	J12	Style SG	SG						
	0.1	104			2000	3D	14.2 x 32	422	Style SK	SK						
	0.15	154			2500	3E	15.6 x 44	564	Style SL	SL						
	0.18	184			3000	3I	16.3 x 44	K34	Style SN	SN						
	0.22	224			6000	36	17.7 x 32	772	Style SR	SR						
	0.24	244			8000	3K	18.7 x 44	L74	Style ST	ST						
	0.27	274					19.1 x 32	912	Style SU	SU						
	0.33	334					20.8 x 44	M84	Style TF	TF						
	0.35	354					21.1 x 32	B12	Style UF	UF						
	0.39	394					43.9 x 57	V9G	Radial Bulk	RR						
	0.47	474					13 x 21 x 32	AX2								
	0.56	564					14 x 22 x 32	BF2								
	0.68	684					15 x 26.2 x 32	BW2								
	0.75	754					18.8 x 30 x 57	CHG								
	0.82	824					19.8 x 31 x 57	CLG								
	1	105					21 x 32.2 x 44	CT4								
	1.2	125					22.8 x 34 x 57	DBG								
	1.5	155					24.8 x 36 x 57	DRG								
	1.75	1G5					28.8 x 40 x 57	EQG								
	1.8	185					28.9 x 40.1 x 57	ESG								
	2	205					30.6 x 41.8 x 44	EU4								
	2.2	225					32.9 x 39.3 x 57	EWG								
	2.5	255					26.5 x 11 x 20	N20								
	3	305					31 x 11 x 20	M20								
	3.3	335					42.5 x 15 x 26	A26								
	3.5	355					57.5 x 30 x 45	S45								
	4	405					57.5 x 35 x 50	T50								
	4.5	455														
	4.7	475														
	5	505														
	5.6	565														
	6.8	685														
	8.5	855														
	10	106														

13 2		14 E	
接线条数 Lead Style		接线长度 Lead Length	
特征 Feature	代码 Code	特征 Feature	代码 Code
2 leads	2	5 mm	E
4 leads	4	30 mm	3
6 leads	6		

# 产品编码 Part Number System

## 交流滤波电容器产品 AC Filter Product

1 2 3 <b>PAF</b>	4 5 6 <b>607</b>	7 <b>J</b>	8 9 <b>2G</b>	10 11 12 <b>A 1 T</b>	13 14 <b>M8</b>	15 16 <b>SA</b>
系列 Series	容量 Capacitance	公差 Tolerance	电压 Voltage	尺寸 Dimension	接线长度 Lead Length	产线 Product Line

系列 Series	容量 Cap. ( $\mu$ F)	代码 Code	公差 Tol. (%)	代码 Code	电压 Vol. (V)	代码 Code	尺寸 Dimension (mm)	代码 Code	特征 Feature	代码 Code	产线 Product Line
PAF	3×30	906	±5%	J	400	2G	225 x 120 x 170	A1T	M8 x 10	M8	仅内部使用 (产线有 H,A,B,C,D,E,M or 0,1,2,3,4,5,9)  For internal use only (The product lines we have H,A,B,C,D,E,M or 0,1,2,3,4,5,9)
	3×45	1C7	±10%	K	500	2H	225 x 120 x 235	A2C	M10 x 10	MK	
	3×50	157			550	25	295 x 120 x 235	B2C			
	3×65	1J7			690	27	365 x 120 x 235	C2C			
	3×75	2B7			850	2R					
	3×80	247									
	3×90	277									
	3×100	307									
	3×120	367									
	3×125	3G7									
	3×135	4K7									
	3×180	547									
	3×185	5E7									
	3×200	607									
	3×225	6H7									
	3×240	727									
	3×300	907									
	3×400	128									
	3×500	158									

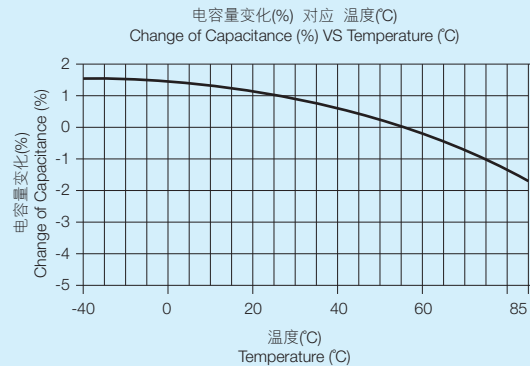


# 技术名词和定义 Technical Terms and Definitions

## 1 额定电容量 Rated Capacitance $C_n$

电容器在 $20 \pm 5^\circ\text{C}$ 和50Hz之下测定的电容量。

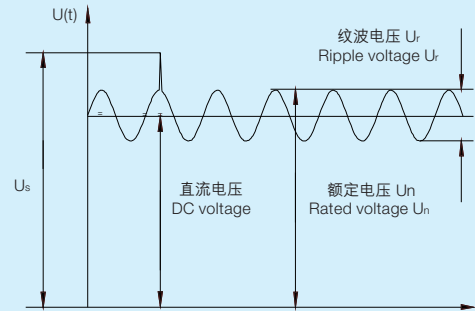
The rated capacitance measured at  $20 \pm 5^\circ\text{C}$ , 50Hz.



## 2 额定电压 Rated Voltage $U_n$

电容器在非反复波形或反复波形任一极性的最高运行峰值电压。

The maximum or peak voltage of either polarity of a reversing or non-reversing type wave form for which the capacitor has been designed and rated.



## 3 非重复浪涌电压 Non-repetitive Peak Voltage $U_s$

由切换或系统中任何扰动所导致的峰值电压，此电压只允许最多出现1,000次，每次脉冲持续不大于50毫秒。  
 Voltages beyond the rated voltage induced by switching or faults of the system or any part of it. Maximum count 1,000 times with the duration of not more than 50 ms each.

## 4 纹波电压 Ripple Voltage $U_r$

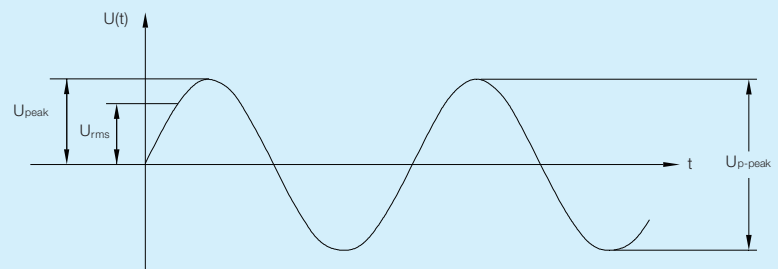
单向电压值的峰到峰的交流份量。

The peak-to-peak alternating component of the unidirectional voltage.

## 5 额定交流电压 Rated AC Voltage $U_{rms}$

电容器在连续工作过程中允许出现的最大正弦交流电压均方根值。

Root mean square of the max. permissible value of sinusoidal AC voltage in continuous operation.



## 6 额定AC峰值电压 Rated AC Peak Voltage $U_{peak}$

电容器在连续工作过程中允许出现的最大峰值电压。

Rated AC peak voltage permissible AC peak voltage in continuous operation.



## 7 电压上升速率 Voltage Rise Time $d_u/d_t$

最大电压上升或下降时间，以伏/毫秒表示。  
The maximum voltage rise or fall time expressed in volts per microsecond.

## 8 非周期性最大冲击电压上升速率 Maximum Non-repetitive Rate of Voltage Rise $(d_u/d_t)_s$

在失效时所发生非周期性的最大冲击上升电压速率。  
Peak rate of voltage rise that may occur non-repetitively and in the event of a fault.

## 9 极间耐电压（介质强度）测试 Voltage Test between Terminals (Dielectric Strength) $U_{t-t}$

电容器在室温下进行电极（两个端子）间电压的例行耐电压测试。  
Routine test of all capacitors between terminals conducted at room temperature.

## 10 极壳之间耐电压测试 Voltage Test between Terminals and Case $U_{t-c}$

电容器在室温下进行两电极已短路的端子与外壳间的例行耐电压测试。  
Routine test of all capacitors between short-circuited terminals and case, conducted at room temperature.

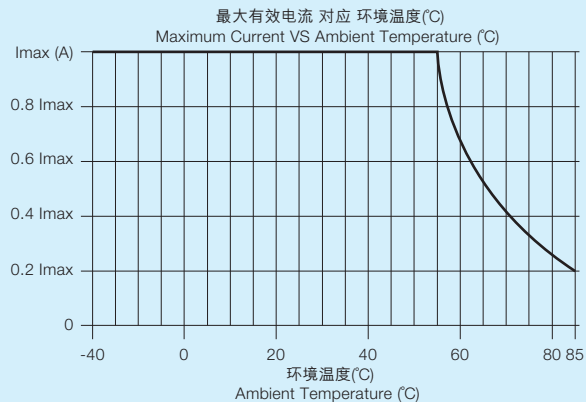
## 11 峰值电流 Peak Current $I_{peak}$

在连续工作过程中允许重复出现的最大峰值电流。  
Maximum permitted repetitive current amplitude in continuous operation.

$$I_{peak} = C_n \times (d_u/d_t)$$

## 12 最大电流 Maximum Current $I_{max}$

连续工作过程中允许出现的最大均方根（有效）值电流  $I_{rms}$ 。在下列的资料表中所显示的数值是跟指定的最大功率损耗或电流极限相关。  
Maximum rms value of permissible current in continuous operation. The values given in the data sheets are related to either the specified maximum power dissipation or the current limits of the connection terminals.



## 13 最大峰值电流 Non-repetitive Peak Current (surge) $I_s$

在失效时所发生非周期性的最大冲击电流，此电压只允许最多出现1,000次，每次脉冲持续不大于50毫秒。  
Maximum current that may occur non-repetitively and briefly in the event of a fault. Maximum count 1,000 times with a duration of not more than 50 ms each.

$$I_s = C_n \times (d_u/d_t)_s$$

## 14 等效串联电阻 Equivalent Series Resistance $R_{ESR}$

等效串联电阻就是代表电容器内一组串联电阻的等效电阻。  
Equivalent series resistance representing the sum of all Ohmic resistances occurring inside the capacitor.

## 15 自感 Self-inductance $L_s$

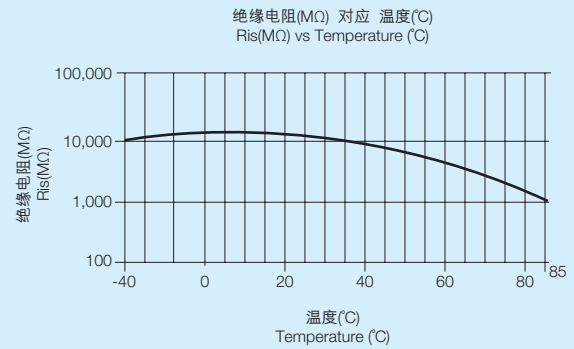
电容器由于自身结构或组成的原因所表现出来各种电感叠加的等效电感。  
Represents the sum of all inductive elements which are, for mechanical and construction reasons, contained in any capacitor.

## 16 绝缘电阻 Insulation Resistance $R_{is}$ / 时间常数 Time Constant $\tau$

绝缘电阻是电容器端子间在100VDC及 $25 \pm 5^\circ\text{C}$ 之下1分钟内的直流电压和流经电容器的漏电流的比值，单位为兆欧( $\text{M}\Omega$ )。时间常数为绝缘电阻和电容量的乘积：

The insulation resistance between terminals of a capacitor is expressed in terms of the discharge time constant  $\tau$  measured for 1 minute at 100VDC and at  $25 \pm 5^\circ\text{C}$ . The time constant(s) of a capacitor is the product of  $R_{is}$  and capacitance:

$$\tau(\text{s}) = R_{is}(\text{M}\Omega) \times C_n(\mu\text{F})$$



## 17 谐振频率 Resonant Frequency $F_r$

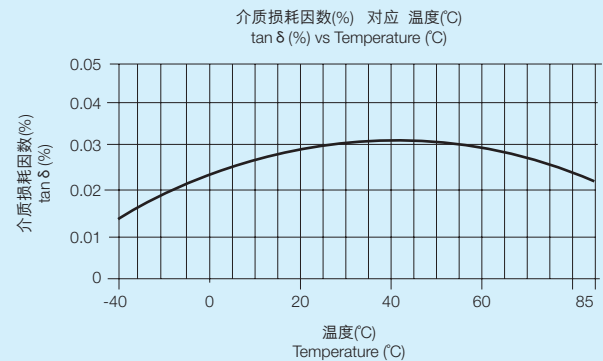
组成串联谐振电路中的电容器容量与自感，当角频率很大时，串联谐振电路呈电感性，电容器变成像一个电感器。

The capacitance and self-inductance of a capacitor form a series resonant circuit. When the angular frequency is large, the inductive part of this LC-circuit prevails. The capacitor would then behave as an inductor.

$$F_r = \frac{1}{2\pi\sqrt{C_n \times L_s}}$$

## 18 介质损耗因数 Dielectric Dissipation Factor $\tan\delta$

电容器的介质材料在其额定频率下的损耗常数。  
 Constant dissipation factor of the dielectric material for all capacitors in their rated frequency.



## 19 损耗因数 Dissipation Factor $\tan\delta$

损耗因数的计算公式为：  
 Dissipation factor calculated as:

$$\tan\delta = \tan\delta_0 + 2\pi f \times C_n \times R_{ESR}$$

## 20 热阻 Thermal Resistance $R_{th}$

电容器内最热点的温度与环境温度相差( $\Delta T_{cap}$ )和电容器产生的功率耗损P的比值：

The thermal resistance is expressed in terms of degree of the temperature change at hotspot temperature rises above the ambient per watt of the heat dissipation losses:

$$R_{th} = (\Delta T_{cap})/P$$

## 21 最大功率损耗 Maximum Power Dissipation $P_{max}$

电容器在最高工作中最大允许功率损耗。  
Maximum permitted power dissipation for the capacitor's operation.

$$P_{max} = \frac{T_{hs} - T_e}{R_{th}}$$

## 22 环境温度 Ambient Temperature $T_e$

在离电容器外壳10cm且距其基底2/3高度处所测得的周围环境大气温度。  
Temperature of the surrounding air, measured 10cm away and at 2/3 of the case height of the capacitor.

## 23 热点温度 Hotspot Temperature $T_{hs}$

电容器内部最热点处的温度。  
Temperature at hottest spot inside the capacitor.

## 24 最低运行温度 Lower Category Temperature $T_{min}$

电容器可以被激励运行的最低电介质温度。  
Lowest permissible ambient temperature at which a capacitor may be used.

## 25 最高运行温度 Upper Category Temperature $T_{max}$

电容器可以运行的最高外壳温度。  
Highest permissible capacitor temperature during operation, i.e. temperature at the hottest point of the case.

## 26 储能 Rated Energy Contents $W_n$

电容器的储能由额定电容和额定电压值计算。  
Energy stored in the capacitor when charged at rated voltage.

$$W_n = \frac{1}{2} \times C_n \times (U_n)^2$$

## 27 空隙 Clearance in Air $L$

电极端子之间或电极端子和电容器外壳之间的最短距离。  
The shortest distance between conducting parts of the terminals or between terminals and case.

## 28 爬电(漏电)距离 Creepage Distance $K$

电极端子之间或电极端子和电容器外壳之间放电的最短绝缘表面距离。  
The shortest distance along an insulated surface between conducting parts of the terminals or between terminals and case.

## 29 海拔高度 Altitude

电容器最大允许工作的海拔高度为2,000米。随大气压力降低,电极端子电弧放电机会会上升,当产生的热量不能在高海拔中释放出来,它会导致电容器高损耗及彻底失效。  
The maximum allowable altitude is 2,000 meters. As the barometric pressure decreases, the terminal arc-over susceptibility increases. Heat cannot be properly dissipated operating at high altitude and can result in high losses and eventual failure.

### 30 贮存温度 Storing Temperature

电容器在不外加电压的情况下贮存的温度范围为-40 to +85°C。

The range over which the capacitor can be stored without any applied voltage, with no degradation is -40 to +85°C.

### 31 预期寿命 Life Expectancy $L_e$

电容器的预期寿命取决于电容器的运行工作电压和内部的热点温度。

The expected lifetime of the capacitors depends on the internal temperature during operation, and the field strength in its dielectric.

相对不同电压的预期寿命

Life expectancy versus voltage

$$L_e = L_n \times (U_n/U_w)^8$$

$L_e$  = 在工作电压下的预期寿命(小时)

$L_e$  = Life expectancy at applied voltage (h)

$L_n$  = 在额定电压下的预期寿命(小时)

$L_n$  = Life expectancy at rated voltage (h)

$U_n$  = 额定电压(伏)

$U_n$  = Rated voltage (v)

$U_w$  = 工作电压(伏)

$U_w$  = Applied voltage (v)

相对不同温度下的预期寿命

Life expectancy versus temperature

$$L_e = L_{T_0} \times 2^{(T_0 - T_{hs})/7}$$

$L_e$  = 在工作温度下的预期寿命(小时)

$L_e$  = Life expectancy at operating temperature (h)

$L_{T_0}$  = 在70°C下的预期寿命(小时)

$L_{T_0}$  = Life expectancy at 70°C (h)

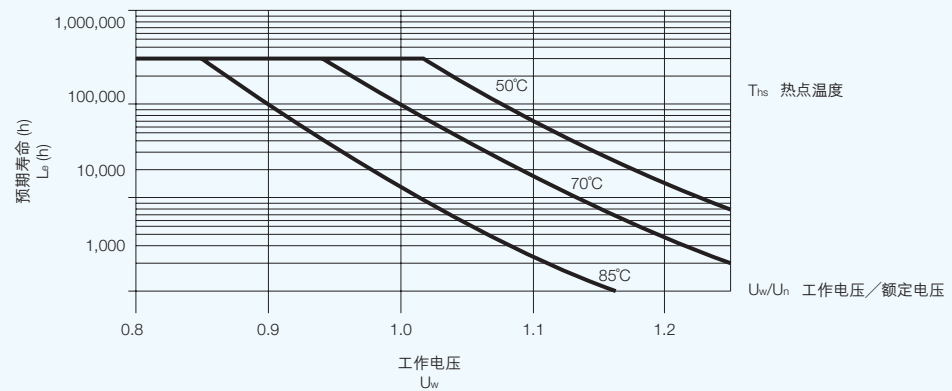
$T_0$  = 参考温度(70°C)

$T_0$  = Reference temperature (70°C)

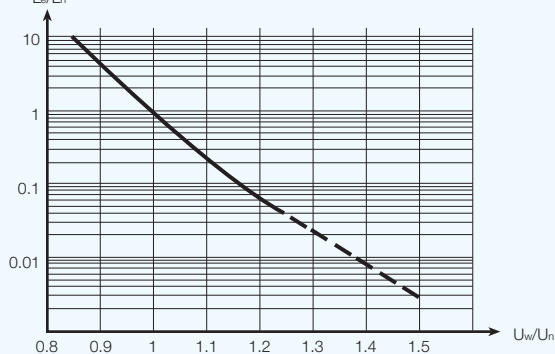
$T_{hs}$  = 热点温度( $\leq 70^\circ\text{C}$ )

$T_{hs}$  = Hotspot temperature ( $\leq 70^\circ\text{C}$ )

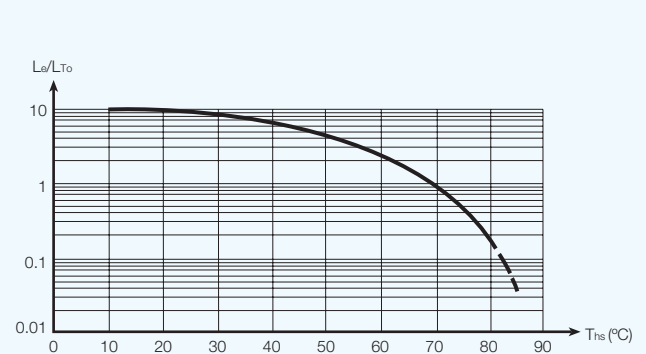
预期寿命 对应 工作电压 对应 热点温度  
 $L_e$  vs  $U_w$  vs  $T_{hs}$



相对不同电压的预期寿命  
 $L_e$  at different  $U_w$



相对不同温度下的预期寿命  
 $L_e$  at different  $T_{hs}$



# PDE 系列 Series

## 直流链支撑电容器 DC-Link

### 基本技术特点 GENERAL TECHNICAL CHARACTERISTICS

引用标准 Reference Standards	IEC 61071-60068
绝缘介质 Dielectric	聚丙烯薄膜 Polypropylene film
结构 Construction	乾式结构 Dry construction
封装 Coating	铝外壳 Aluminum case
端子 Leads	M6螺孔, 亦可选螺柱 Threaded insert M6, bolt available

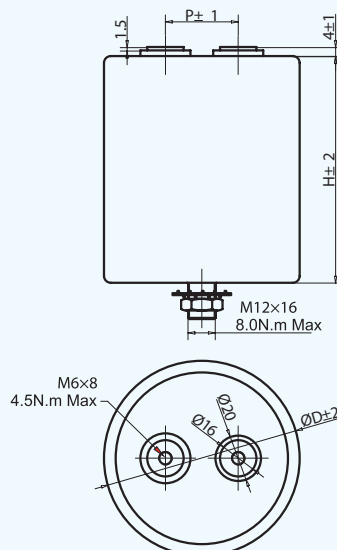


### 技术规格 ELECTRICAL CHARACTERISTICS

工作温度 Operating Temperature	-40 to +85°C (外壳 case)
电容量 Capacitance	80 to 1000μF
额定电压 Rated Voltage	800 to 2400VDC
容差 Tolerance	±5% or ±10%
损耗因数 Dissipation Factor	≤2 × 10 <sup>-3</sup> 在100Hz和25±5°C测定 ≤2 × 10 <sup>-3</sup> measured at 100Hz and 25±5°C
预期寿命 Life Expectancy	在额定电压和 70°C (热点温度) 的条件下可达100,000小时 100,000 hours at Un and 70°C (Hot-spot temperature)

### 测试 TEST METHODS AND PERFORMANCE

极间耐电压 Voltage withstand between terminals	在1.5倍额定电压Un下持续10秒 (25±5°C) 1.5Un (DC) applied for 10 sec at 25±5°C
极壳之间耐电压 Test Voltage Terminal to Case	(1.5 × Un+1000)VAC或最少3kVAC持续60秒 (1.5 × Un+1000)VAC, Min. 3kVAC for 60 sec
自放电时间常数 Self discharge time constant	≥10,000 秒, 电容器充电1分钟后增加100VDC (25±5°C) ≥10,000 sec after 1 minute of electrification at 100VDC (25±5°C)



规格若有任何变更将不予通知。如有产品安全或技术问题, 请即与我司业务部或代理商联系。  
Specifications are subject to change without notice. For any concern on safety or technical aspects on the product, please contact our sales offices or agents immediately.

产品编码和电性规格 PART NUMBER AND ELECTRICAL SPECIFICATIONS

产品编码 Part Number	容量 Cap ( $\mu$ F)	直径 D (mm)	高度 H (mm)	极距 P (mm)	纹波 电流 I <sub>rms</sub> @25°C @10kHz (A)	等效 串联 电阻 ESR@ 1.0kHz (m $\Omega$ )	热阻 R <sub>th</sub> (°C/W)	重量 Weight (kg)
<b>Un 800VDC, Us 1200V, Ur 200V</b>								
PDE437*2KU1NMFSA	430	76	120	32	40	4.3	3.9	0.65
PDE557*2KV1NMFSA	550	86	120	32	46	3.7	3.5	0.85
PDE807*2KU2BMFSA	800	76	225	32	67	2.9	2.0	1.25
PDE108*2KV2BMFSA	1000	86	225	32	76	2.6	1.8	1.50
<b>Un 1000VDC, Us 1500V, Ur 250V</b>								
PDE2G7*3AU1NMFSA	275	76	120	32	37	5.0	3.9	0.65
PDE357*3AV1NMFSA	350	86	120	32	53	5.2	3.5	0.85
PDE507*3AU2BMFSA	500	76	225	32	63	3.3	2.0	1.25
PDE687*3AV2BMFSA	680	86	225	32	73	2.8	1.8	1.50
<b>Un 1200VDC, Us 1800V, Ur 300V</b>								
PDE207*3OU1NMFSA	200	76	120	32	35	5.5	3.9	0.65
PDE257*3OV1NMFSA	250	86	120	32	41	4.7	3.5	0.85
PDE377*3OU2BMFSA	370	76	225	32	61	3.6	2.0	1.25
PDE477*3OV2BMFSA	470	86	225	32	69	3.1	1.8	1.50
<b>Un 1400VDC, Us 2100V, Ur 330V</b>								
PDE147*3FU1NMFSA	140	76	120	32	33	6.5	3.9	0.65
PDE187*3FV1NMFSA	180	86	120	32	38	5.3	3.5	0.85
PDE277*3FU2BMFSA	270	76	225	32	58	4.0	2.0	1.25
PDE357*3FV2BMFSA	350	86	225	32	66	3.4	1.8	1.50
<b>Un 1600VDC, Us 2400V, Ur 350V</b>								
PDE107*3CU1NMFSA	100	76	120	32	30	7.7	3.9	0.65
PDE147*3CV1NMFSA	140	86	120	32	36	5.9	3.5	0.85
PDE207*3CU2BMFSA	200	76	225	32	54	4.5	2.0	1.25
PDE277*3CV2BMFSA	270	86	225	32	64	3.7	1.8	1.50
<b>Un 1800VDC, Us 2700V, Ur 400V</b>								
PDE806*3PU1NMFSA	80	76	120	32	29	8.4	3.9	0.65
PDE117*3PV1NMFSA	110	86	120	32	35	6.4	3.5	0.85
PDE167*3PU2BMFSA	160	76	225	32	52	4.8	2.0	1.25
PDE207*3PV2BMFSA	200	86	225	32	60	4.1	1.8	1.50
<b>Un 2000VDC, Us 3000V, Ur 450V</b>								
PDE137*3DU2BMFSA	130	76	225	32	36	10.4	2.0	1.25
PDE177*3DV2BMFSA	170	86	225	32	42	8.6	1.8	1.50
<b>Un 2400VDC, Us 3600V, Ur 500V</b>								
PDE906*34U2BMFSA	90	76	225	32	33	12.0	2.0	1.25
PDE127*34V2BMFSA	120	86	225	32	39	9.7	1.8	1.50

备注：产品编码的第7位的“\*”是代表可选容差为J=  $\pm$ 5% 或 K=  $\pm$ 10%。

Remark: The “\*” in 7th digit is used for the capacitance tolerance, J=  $\pm$ 5% or K=  $\pm$ 10%.

规格若有任何变更将不予通知。如有产品安全或技术问题，请即与我司业务部或代理商联系。  
Specifications are subject to change without notice. For any concern on safety or technical aspects on the product, please contact our sales offices or agents immediately.

# PDP 系列 Series

## 直流链支撑电容器 DC-Link

### 基本技术特点 GENERAL TECHNICAL CHARACTERISTICS

引用标准 Reference Standards	IEC 61071-60068, UL810 已认证 IEC 61071-60068, UL810 Approved
绝缘介质 Dielectric	聚丙烯薄膜 Polypropylene film
结构 Construction	乾式结构 Dry construction
封装 Coating	铝外壳 Aluminum case
端子 Leads	M6螺孔, 亦可选螺柱 Threaded insert M6, bolt available

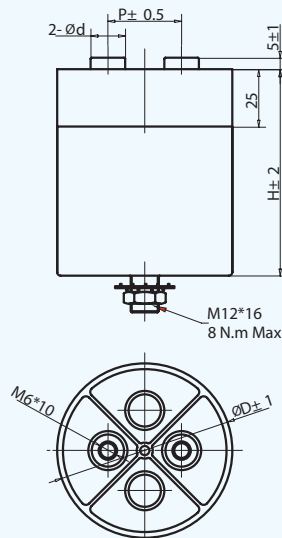


### 技术规格 ELECTRICAL CHARACTERISTICS

工作温度 Operating Temperature	-40 to +85°C (外壳 case)
电容量 Capacitance	75 to 2750µF
额定电压 Rated Voltage	600 to 2500VDC
容差 Tolerance	±5% or ±10%
损耗因数 Dissipation Factor	≤3 × 10 <sup>-3</sup> 在100Hz和25±5°C测定 ≤3 × 10 <sup>-3</sup> measured at 100Hz and 25±5°C
预期寿命 Life Expectancy	在额定电压和 70°C (热点温度)的条件下可达100,000小时 100,000 hours at Un and 70°C (Hot-spot temperature)

### 测试 TEST METHODS AND PERFORMANCE

极间耐电压 Voltage withstand between terminals	在1.5倍额定电压Un下持续10秒 (25±5°C) 1.5Un (DC) applied for 10 sec at 25±5°C
极壳之间耐电压 Test Voltage Terminal to Case	(1.5 × Un+1000)VAC或最少3kVAC持续60秒 (1.5 × Un+1000)VAC, Min. 3kVAC for 60 sec
自放电时间常数 Self discharge time constant	≥10,000秒, 电容器充电1分钟后增加100VDC (25±5°C) ≥10,000 sec after 1 minute of electrification at 100VDC (25±5°C)



D=76, 86mm	D=116mm	D=136mm
d=14mm	d=14mm	d=16mm
P=32mm	P=50mm	P=50mm

规格若有任何变更将不予通知。如有产品安全或技术问题, 请即与我司业务部或代理商联系。  
Specifications are subject to change without notice. For any concern on safety or technical aspects on the product, please contact our sales offices or agents immediately.



产品编码和电性规格 PART NUMBER AND ELECTRICAL SPECIFICATIONS

产品编码 Part Number	容量 Cap ( $\mu$ F)	直径 D (mm)	高度 H (mm)	极距 P (mm)	纹波 电流 I <sub>rms</sub> @25°C @10kHz (A)	等效 串联 电阻 ESR@ 1.0kHz (m $\Omega$ )	自感 L <sub>s</sub> (nH)	热阻 R <sub>th</sub> (°C/W)	储能 W <sub>n</sub> (Ws)	重量 Weight (kg)
<b>Un 600VDC, Us 900V, Ur 150V</b>										
PDP657*26V1BM6SA	650	86	125	32	73	1.0	40	2.9	117	1.00
<b>Un 900VDC, Us 1350V, Ur 200V</b>										
PDP377*29U1BM6SA	370	76	125	3.3	60	1.2	40	3.7	150	0.75
PDP397*29U1NM6SA	390	76	120	1.6	33	3.7	60	3.9	158	0.70
PDP457*29U1DM6SA	450	76	145	3.2	61	1.3	45	3.2	182	0.85
PDP497*29V1BM6SA	490	86	125	4.4	71	0.9	40	3.3	198	0.95
PDP527*29V1NM6SA	520	86	120	2.1	40	2.9	60	3.5	211	0.90
PDP577*29U1GM6SA	570	76	175	3.4	61	1.6	50	2.7	231	1.10
PDP607*29V1DM6SA	600	86	145	4.2	72	1.1	45	2.9	243	1.10
PDP757*29V1GM6SA	750	86	175	4.5	73	1.3	50	2.4	304	1.30
PDP787*29U2BM6SA	780	76	225	3.1	63	2.0	60	2.0	316	1.30
PDP108*29A1BM6SA	1000	116	125	4.0	53	1.6	60	2.9	405	1.70
PDP1K8*29V2BM6SA	1050	86	225	4.2	76	1.5	60	1.8	425	1.60
PDP118*29A1RM6SA	1100	116	150	7.7	88	0.7	45	2.5	446	2.10
PDP1D8*29A1UM6SA	1450	116	180	8.7	90	0.7	50	2.1	587	2.40
PDP208*29A2PM6SA	2000	116	230	8.0	92	0.9	60	1.7	810	3.00
PDP2G8*29C2PMFSA	2750	136	230	11.0	99	0.7	60	1.5	1114	4.10
<b>Un 1100VDC, Us 1650V, Ur 250V</b>										
PDP257*31U1NM6SA	250	76	120	1.5	30	4.6	60	3.9	151	0.70
PDP337*31V1NM6SA	330	86	120	2.0	36	3.6	60	3.5	200	0.90
PDP377*31V1PM6SA	370	86	130	1.9	36	3.8	60	3.2	224	0.95
PDP407*31V1DM6SA	400	86	145	4.0	67	1.2	45	2.9	242	1.10
PDP427*31V1PM6SA	420	86	136	2.5	45	2.0	60	3.2	254	0.80
PDP427*31V1EM6SA	420	86	155	4.2	69	1.2	45	2.7	254	1.20
PDP507*31V1GM6SA	500	86	175	4.0	67	1.5	50	2.4	303	1.30
PDP657*31A1BM6SA	650	116	125	3.9	49	1.9	60	2.9	393	1.70
PDP687*31V2BM6SA	680	86	225	4.1	69	1.8	60	1.8	411	1.60
PDP737*31A1RM6SA	730	116	150	7.3	82	0.8	45	2.5	442	2.10
PDP907*31C1BM6SA	900	136	125	5.4	54	1.4	60	2.5	545	2.30
PDP927*31A1UM6SA	920	116	180	7.4	82	0.9	50	2.1	557	2.40
PDP1B8*31A2PM6SA	1250	116	230	7.5	84	1.1	60	1.7	756	3.00
PDP178*31C2PM6SA	1700	136	230	10.2	90	0.9	60	1.5	1029	4.20
PDP198*31C2SM6SA	1900	136	260	15.2	120	0.5	50	1.3	1150	4.70
PDP2E8*31C3CM6SA	2550	136	335	15.3	120	0.6	60	1.0	1543	6.00
<b>Un 1300VDC, Us 1950V, Ur 300V</b>										
PDP177*3BU1NM6SA	170	76	120	1.4	27	5.6	60	3.9	144	0.70
PDP237*3BV1NM6SA	230	86	120	1.8	33	4.2	60	3.5	194	0.90
PDP337*3BV1GM6SA	330	86	175	3.3	61	1.8	50	2.4	279	1.30
PDP457*3BA1BM6SA	450	116	125	3.6	45	2.3	60	2.9	380	1.70
PDP477*3BV2BM6SA	470	86	225	3.8	64	2.2	60	1.8	397	1.60
PDP507*3BA1RM6SA	500	116	150	6.5	76	0.9	45	2.5	423	2.10
PDP637*3BC1BM6SA	630	136	125	5.0	50	1.7	60	2.5	532	2.30
PDP647*3BA1UM6SA	640	116	180	6.4	77	1.0	50	2.1	541	2.40
PDP857*3BA2PM6SA	850	116	230	6.8	77	1.3	60	1.7	718	3.00
PDP907*3BC1UM6SA	900	136	180	9.0	84	0.8	50	1.9	761	3.30
PDP128*3BC2PM6SA	1200	136	230	9.6	84	1.0	60	1.5	1014	4.10
PDP1C8*3BC2SM6SA	1350	136	260	13.5	114	0.6	50	1.3	1141	4.60
PDP188*3BC3CM6SA	1800	136	335	14.4	119	0.7	60	1.0	1521	6.00

规格若有任何变更将不予通知。如有产品安全或技术问题，请与我司业务部或代理商联系。  
Specifications are subject to change without notice. For any concern on safety or technical aspects on the product, please contact our sales offices or agents immediately.

产品编码和电性规格 PART NUMBER AND ELECTRICAL SPECIFICATIONS

产品编码 Part Number	容量 Cap ( $\mu$ F)	直径 D (mm)	高度 H (mm)	极距 P (mm)	纹波 电流 I <sub>rms</sub> @25°C @10kHz (A)	等效 串联 电阻 ESR@ 1.0kHz (m $\Omega$ )	自感 L <sub>s</sub> (nH)	热阻 R <sub>th</sub> (°C/W)	储能 W <sub>n</sub> (Ws)	重量 Weight (kg)
<b>Un 1900VDC, Us 2850V, Ur 500V</b>										
PDP756*39U1NM6SA	75	76	120	1.1	22	8.4	60	3.9	135	0.70
PDP107*39V1NM6SA	100	86	120	1.4	27	6.3	60	3.5	181	0.90
PDP157*39V1GM6SA	150	86	175	2.9	51	2.6	50	2.4	271	1.30
PDP197*39A1BM6SA	190	116	125	2.7	36	3.4	60	2.9	343	1.70
PDP207*39V2BM6SA	200	86	225	2.8	52	3.3	60	1.8	361	1.70
PDP227*39A1RM6SA	220	116	150	5.5	65	1.2	45	2.5	397	2.10
PDP2G7*39C1BM6SA	275	136	125	3.9	41	2.4	60	2.5	496	2.30
PDP287*39A1UM6SA	280	116	180	5.3	64	1.5	50	2.1	505	2.40
PDP387*39A2PM6SA	380	116	230	5.3	65	1.8	60	1.7	686	3.00
PDP407*39C1UM6SA	400	136	180	7.6	71	1.1	50	1.9	722	3.30
PDP547*39C2PM6SA	540	136	230	7.6	72	1.3	60	1.5	975	4.10
PDP607*39C2SM6SA	600	136	260	11.4	99	0.8	50	1.3	1083	4.60
PDP807*39C3CM6SA	800	136	335	11.2	102	1.0	60	1.0	1444	6.00
<b>Un 2500VDC, Us 3750V, Ur 600V</b>										
PDP956*3EA1PM6SA	95	116	130	1.5	43	2.5	40	2.8	297	1.80
PDP137*3EC1PM6SA	130	136	130	2.1	47	1.9	40	2.4	406	2.50
PDP207*3EA2PM6SA	200	116	230	1.6	42	4.4	60	1.7	625	3.00

备注：产品编码的第7位的“\*”是代表可选容差为J=  $\pm$ 5% 或 K=  $\pm$ 10%。

Remark: The “\*” in 7th digit is used for the capacitance tolerance, J=  $\pm$ 5% or K=  $\pm$ 10%.

规格若有任何变更将不予通知。如有产品安全或技术问题，请即与我司业务部或代理商联系。  
Specifications are subject to change without notice. For any concern on safety or technical aspects on the product, please contact our sales offices or agents immediately.

# PDF 系列 Series

## 大纹波电流的直流支撑电容器 High Current DC-Link

### 基本技术特点 GENERAL TECHNICAL CHARACTERISTICS

引用标准 Reference Standards	IEC 61071-60068
绝缘介质 Dielectric	聚丙烯薄膜 Polypropylene film
结构 Construction	乾式结构 Dry construction
封装 Coating	UL94V-0 阻燃防火聚酯塑胶外壳, 环氧树脂灌封 Polyester can, UL94V-0 resin end fill
端子 Leads	螺孔或螺柱 Threaded insert or bolt

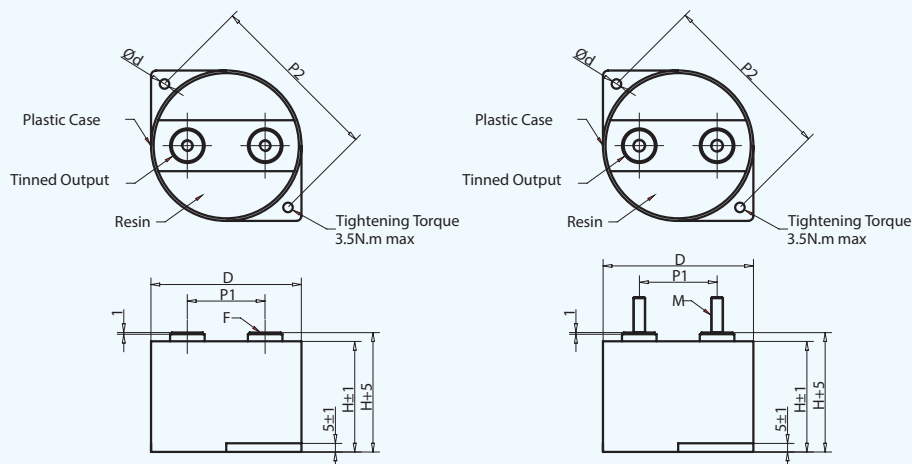


### 技术规格 ELECTRICAL CHARACTERISTICS

工作温度 Operating Temperature	-40 to +85°C (外壳 case)
电容量 Capacitance	6.8 to 220μF
额定电压 Rated Voltage	600 to 2200VDC
容差 Tolerance	±5% or ±10%
损耗因数 Dissipation Factor	≤2 × 10 <sup>-3</sup> 在100Hz和25±5°C测定 ≤2 × 10 <sup>-3</sup> measured at 100Hz and 25±5°C
预期寿命 Life Expectancy	在额定电压和 70°C (热点温度) 的条件下可达100,000小时 100,000 hours at Un and 70°C (Hot-spot temperature)

### 测试 TEST METHODS AND PERFORMANCE

极间耐电压 Voltage withstand between terminals	在1.5倍额定电压Un下持续10秒 (25±5°C) 1.5Un (DC) applied for 10 sec at 25±5°C
极壳之间耐电压 Test Voltage Terminal to Case	(1.5 × Un+1000)VAC或最少3kVAC持续60秒 (1.5 × Un+1000)VAC, Min. 3kVAC for 60 sec
自放电时间常数 Self discharge time constant	≥5,000 秒, 电容器充电1 分钟后增加100VDC (25±5°C) ≥5,000 sec after 1 minute of electrification at 100VDC (25±5°C)



D (mm)	端子 Leads				P1 (mm)	P2 (mm)	d (mm)
	M	力矩 Torque	F	力矩 Torque			
87	M8 x 20	8.5 N.m Max	M6 x 8	4.5 N.m Max	45±1	101	5.5

规格若有任何变更将不予通知。如有产品安全或技术问题, 请即与我司业务部或代理商联系。  
Specifications are subject to change without notice. For any concern on safety or technical aspects on the product, please contact our sales offices or agents immediately.

产品编码和电性规格 PART NUMBER AND ELECTRICAL SPECIFICATIONS

产品编码 Part Number	容量 Cap ( $\mu$ F)	直径 D (mm)	高度 H (mm)	最大 自感 Ls max. (nH)	电压 上升 速率 du/dt (v/ $\mu$ s)	纹波 电流 Irms @25°C @10kHz (A)	等效 串联 电阻 ESR@ 1.0kHz (m $\Omega$ )	热阻 Rth (°C/W)
<b>Un 600VDC, Us 960V, Ur 175V</b>								
PDF107*26W41M8SA	100	87	41	25	40	80	0.8	6.8
PDF157*26W51M8SA	150	87	51	32	27	80	0.9	5.9
PDF227*26W65M8SA	220	87	65	40	18	75	1.1	5.0
<b>Un 700VDC, Us 1050V, Ur 200V</b>								
PDF107*2SW41M8SA	100	87	41	25	48	90	0.6	6.8
PDF157*2SW51M8SA	150	87	51	32	32	90	0.7	5.9
PDF227*2SW65M8SA	220	87	65	40	21	85	0.9	5.0
<b>Un 800VDC, Us 1280V, Ur 225V</b>								
PDF686*2KW41M8SA	68	87	41	25	56	75	0.9	6.8
PDF107*2KW51M8SA	100	87	51	32	37	75	1.0	5.9
PDF147*2KW65M8SA	140	87	65	40	25	70	1.3	5.0
<b>Un 900VDC, Us 1350V, Ur 250V</b>								
PDF686*29W41M8SA	68	87	41	25	56	80	0.8	6.8
PDF107*29W51M8SA	100	87	51	32	37	80	0.9	5.9
PDF147*29W65M8SA	140	87	65	40	25	75	1.2	5.0
<b>Un 1000VDC, Us 1600V, Ur 275V</b>								
PDF476*3AW41M8SA	47	87	41	25	73	70	1.0	6.8
PDF686*3AW51M8SA	68	87	51	32	49	70	1.2	5.9
PDF107*3AW65M8SA	100	87	65	40	33	65	1.5	5.0
<b>Un 1100VDC, Us 1650V, Ur 300V</b>								
PDF476*31W41M8SA	47	87	41	25	73	75	0.9	6.8
PDF686*31W51M8SA	68	87	51	32	49	75	1.1	5.9
PDF107*31W65M8SA	100	87	65	40	33	70	1.4	5.0
<b>Un 1200VDC, Us 1920V, Ur 325V</b>								
PDF256*3OW41M8SA	25	87	41	25	90	60	1.2	6.8
PDF356*3OW51M8SA	35	87	51	32	70	60	1.5	5.9
PDF506*3OW65M8SA	50	87	65	40	50	55	2.0	5.0
<b>Un 1500VDC, Us 2400V, Ur 350V</b>								
PDF186*3ZW41M8SA	18	87	41	25	113	55	1.2	6.8
PDF256*3ZW51M8SA	25	87	51	32	85	55	1.7	5.9
PDF356*3ZW65M8SA	35	87	65	40	60	50	2.2	5.0
<b>Un 1800VDC, Us 2880V, Ur 400V</b>								
PDF106*3PW41M8SA	10	87	41	25	175	50	1.5	6.8
PDF156*3PW51M8SA	15	87	51	32	120	50	2.0	5.9
PDF226*3PW65M8SA	22	87	65	40	80	45	2.5	5.0
<b>Un 2200VDC, Us 3520V, Ur 450V</b>								
PDF685*3NW41M8SA	6.8	87	41	25	200	50	1.7	6.8
PDF106*3NW51M8SA	10	87	51	32	150	50	2.3	5.9
PDF156*3NW65M8SA	15	87	65	40	100	45	2.9	5.0

备注： 产品编码的第7位的“\*”是代表可选容差为J=  $\pm$ 5% 或 K=  $\pm$ 10%。  
产品编码的第13及14位的“\*\*”是代表成型MH或MF类型。

Remark : The “\*” in 7th digit is used for the capacitance tolerance, J=  $\pm$ 5% or K=  $\pm$ 10%.  
The “\*\*” in 13th and 14th digits are used for lead type, MH or MF.

规格若有任何变更将不予通知。如有产品安全或技术问题，请即与我司业务部或代理商联系。  
Specifications are subject to change without notice. For any concern on safety or technical aspects on the product,  
please contact our sales offices or agents immediately.

# PDB 系列 Series

## 直流链支撑电容器 DC-Link

### 基本技术特点 GENERAL TECHNICAL CHARACTERISTICS

引用标准 Reference Standards	IEC 61071-60068
绝缘介质 Dielectric	聚丙烯薄膜 Polypropylene film
结构 Construction	乾式结构 Dry construction
封装 Coating	UL94V-0 阻燃防火聚酯塑胶外壳, 环氧树脂灌封 Polyester can, UL94V-0 resin end fill
端子 Leads	镀锡铜线 Tinned copper wire

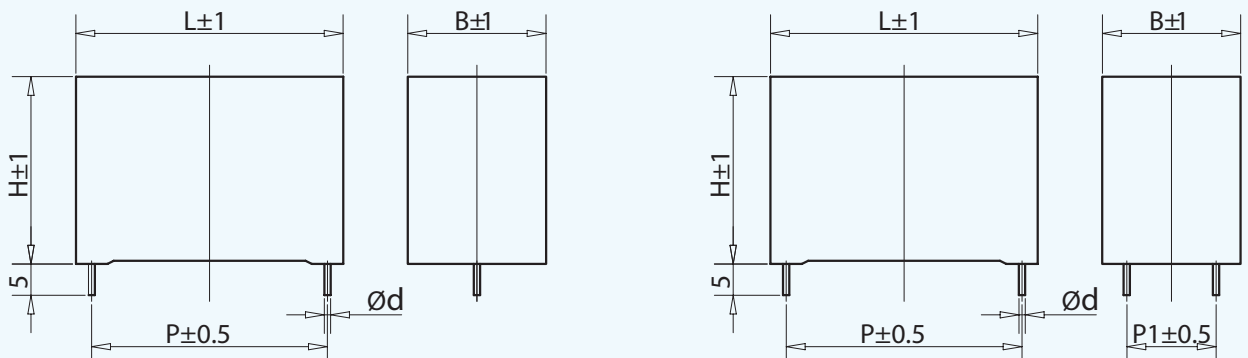


### 技术规格 ELECTRICAL CHARACTERISTICS

工作温度 Operating Temperature	-40 to +85°C (外壳 case)
电容量 Capacitance	6 to 80μF
额定电压 Rated Voltage	500 to 1100VDC
容差 Tolerance	±5% or ±10%
损耗因数 Dissipation Factor	≤1 × 10 <sup>-3</sup> 在100Hz和25±5°C测定 ≤1 × 10 <sup>-3</sup> measured at 100Hz and 25±5°C
预期寿命 Life Expectancy	在额定电压和 70°C (热点温度) 的条件下可达100,000小时 100,000 hours at Un and 70°C (Hot-spot temperature)

### 测试 TEST METHODS AND PERFORMANCE

极间耐电压 Voltage withstand between terminals	在1.5倍额定电压Un下持续10秒 (25±5°C) 1.5Un (DC) applied for 10 sec at 25±5°C
极壳之间耐电压 Test Voltage Terminal to Case	3kVAC/50Hz 持续60秒 3kVAC/50Hz for 60 sec
自放电时间常数 Self discharge time constant	≥5,000 秒 (典型值), 电容器充电1 分钟后增加100VDC (25±5°C) ≥5,000 sec (typical value), after 1 minute of electrification at 100VDC (25±5°C)



规格若有任何变更将不予通知。如有产品安全或技术问题，请即与我司业务部或代理商联系。  
Specifications are subject to change without notice. For any concern on safety or technical aspects on the product, please contact our sales offices or agents immediately.

产品编码和电性规格 PART NUMBER AND ELECTRICAL SPECIFICATIONS

产品编码 Part Number	容量 Cap ( $\mu$ F)	尺寸 Dimension (mm)						电压 上升 速率 du/dt (V/ $\mu$ s)	纹波 电流 I <sub>rms</sub> @25°C @10kHz (A)	等效 串联 电阻 ESR@ 1.0kHz (m $\Omega$ )
		长度 L	宽度 B	高度 H	极距 P	引脚 距离 P1	引线 直径 d			
<b>Un 500VDC, Us 750V, Ur 150V</b>										
PDB166*2HC30**SA	16	42.5	22	30	37.5		1.2	20	10	7.9
PDB256*2HE37**SA	25	42.5	28	37	37.5		1.2	20	12	5.5
PDB256*2HE37**SA	25	42.5	28	37	37.5	10.2	1.2	20	14	5.3
PDB356*2HF45**SA	35	42.5	30	45	37.5		1.2	20	12	4.0
PDB356*2HF45**SA	35	42.5	30	45	37.5	20.3	1.2	20	17	3.8
PDB406*2HH45**SA	40	42.5	33	45	37.5		1.2	20	12	3.6
PDB406*2HH45**SA	40	42.5	33	45	37.5	20.3	1.2	20	19	3.5
PDB456*2HS45**SA	45	57.5	30	45	52.5		1.2	13	12	5.2
PDB456*2HS45**SA	45	57.5	30	45	52.5	20.3	1.2	13	17	5.0
PDB606*2HT50**SA	60	57.5	35	50	52.5		1.2	13	12	4.4
PDB606*2HT50**SA	60	57.5	35	50	52.5	20.3	1.2	13	20	4.3
PDB806*2HU56**SA	80	57.5	42.5	56	52.5	20.3	1.2	13	22	3.7
<b>Un 700VDC, Us 1050V, Ur 200V</b>										
PDB156*2SC30**SA	15	42.5	22	30	37.5		1.2	21	9	8.0
PDB226*2SE37**SA	22	42.5	28	37	37.5		1.2	21	11	5.6
PDB226*2SE37**SA	22	42.5	28	37	37.5	10.2	1.2	21	11	5.4
PDB306*2SF45**SA	30	42.5	30	45	37.5		1.2	21	12	4.2
PDB306*2SF45**SA	30	42.5	30	45	37.5	20.3	1.2	21	14	4.0
PDB356*2SH45**SA	35	42.5	33	45	37.5		1.2	21	12	3.7
PDB356*2SH45**SA	35	42.5	33	45	37.5	20.3	1.2	21	16	3.6
PDB456*2SS45**SA	45	57.5	30	45	52.5		1.2	14	12	5.4
PDB456*2SS45**SA	45	57.5	30	45	52.5	20.3	1.2	14	14	5.2
PDB556*2ST50**SA	55	57.5	35	50	52.5		1.2	14	12	4.5
PDB556*2ST50**SA	55	57.5	35	50	52.5	20.3	1.2	14	17	4.4
PDB806*2SU56**SA	80	57.5	42.5	56	52.5	20.3	1.2	14	22	3.8
<b>Un 900VDC, Us 1350V, Ur 250V</b>										
PDB106*29C30**SA	10	42.5	22	30	37.5		1.2	30	8	9.5
PDB156*29E37**SA	15	42.5	28	37	37.5		1.2	30	11	6.5
PDB156*29E37**SA	15	42.5	28	37	37.5	10.2	1.2	30	11	6.0
PDB206*29F45**SA	20	42.5	30	45	37.5		1.2	30	12	5.0
PDB206*29F45**SA	20	42.5	30	45	37.5	20.3	1.2	30	13	4.5
PDB226*29H45**SA	22	42.5	33	45	37.5		1.2	30	12	4.6
PDB226*29H45**SA	22	42.5	33	45	37.5	20.3	1.2	30	14	4.1
PDB306*29S45**SA	30	57.5	30	45	52.5		1.2	20	12	6.4
PDB306*29S45**SA	30	57.5	30	45	52.5	20.3	1.2	20	13	5.9
PDB406*29T50**SA	40	57.5	35	50	52.5		1.2	20	12	4.9
PDB406*29T50**SA	40	57.5	35	50	52.5	20.3	1.2	20	17	4.4
PDB556*29U56**SA	55	57.5	42.5	56	52.5	20.3	1.2	20	22	3.0

规格若有任何变更将不予通知。如有产品安全或技术问题，请即与我司业务部或代理商联系。  
Specifications are subject to change without notice. For any concern on safety or technical aspects on the product, please contact our sales offices or agents immediately.

产品编码和电性规格 PART NUMBER AND ELECTRICAL SPECIFICATIONS

产品编码 Part Number	容量 Cap ( $\mu$ F)	尺寸 Dimension (mm)						电压 上升 速率 du/dt (v/ $\mu$ s)	纹波 电流 I <sub>rms</sub> @25°C @10kHz (A)	等效 串联 电阻 ESR@ 1.0kHz (m $\Omega$ )
		长度 L	宽度 B	高度 H	极距 P	引脚 距离 P1	引线 直径 d			
Un 1100VDC, Us 1650V, Ur 300V										
PDB605*31C30**SA	6	42.5	22	30	37.5		1.2	39	7	12.9
PDB106*31E37**SA	10	42.5	28	37	37.5		1.2	39	10	8.0
PDB106*31E37**SA	10	42.5	28	37	37.5	10.2	1.2	39	10	7.5
PDB146*31F45**SA	14	42.5	30	45	37.5		1.2	39	12	5.8
PDB146*31F45**SA	14	42.5	30	45	37.5	20.3	1.2	39	12	5.3
PDB156*31H45**SA	15	42.5	33	45	37.5		1.2	39	12	5.5
PDB156*31H45**SA	15	42.5	33	45	37.5	20.3	1.2	39	13	5.0
PDB226*31S45**SA	22	57.5	30	45	52.5		1.2	26	12	7.2
PDB226*31S45**SA	22	57.5	30	45	52.5	20.3	1.2	26	13	6.7
PDB256*31T50**SA	25	57.5	35	50	52.5		1.2	26	12	6.4
PDB256*31T50**SA	25	57.5	35	50	52.5	20.3	1.2	26	14	5.9
PDB406*31U56**SA	40	57.5	42.5	56	52.5	20.3	1.2	26	20	3.7

- 备注： 产品编码的第7位的“\*”是代表可选容差为J=  $\pm$ 5%或K=  $\pm$ 10%。  
 产品编码的第13位的“\*”是代表可选接脚线数目为2条，4条或6条。  
 产品编码的第14位的“\*”是代表可选接脚线长度，E即是5mm，3即是30mm。
- Remark： The “\*” in 7th digit is used for the capacitance tolerance, J=  $\pm$ 5% or K=  $\pm$ 10%.  
 The “\*” in 13th digit is used for the leads style, for 2 leads, 4 leads or 6 leads.  
 The “\*” in 14th digit is used for the lead length, E for 5mm, 3 for 30mm.


规格若有任何变更将不予通知。如有产品安全或技术问题，请与我司业务部或代理商联系。  
 Specifications are subject to change without notice. For any concern on safety or technical aspects on the product, please contact our sales offices or agents immediately.



# PSM 系列 Series

## IGBT 吸收电容器 IGBT Snubber

### 基本技术特点 GENERAL TECHNICAL CHARACTERISTICS

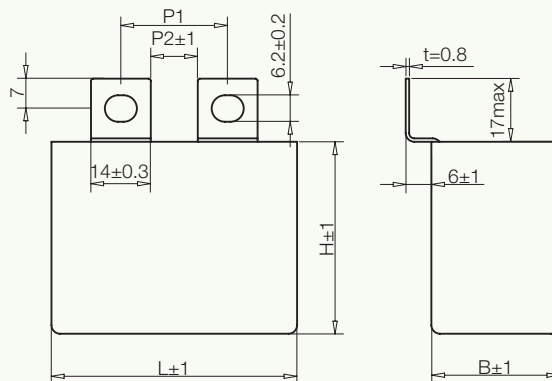
引用标准 Reference Standards	IEC 61071-60068	
绝缘介质 Dielectric	聚丙烯薄膜 Polypropylene film	
结构 Construction	双面金属化膜，内部串联结构 Double sided metallized film with internal series connection	
封装 Coating	UL94V-0 阻燃防火和耐溶剂塑胶壳并以环氧树脂灌封 Solvent resistant plastic case with resin sealing Flame retardant execution (UL94V-0)	
引出端连接形式 Leads	以螺丝作固定的接线镀锡铜片 Tinned copper lugs for screw fixing	

### 技术规格 ELECTRICAL CHARACTERISTICS

工作温度 Operating Temperature	-40 to +85°C (外壳 case)
电容量 Capacitance	0.047 to 10μF
额定电压 Rated Voltage	700 to 3000VDC
容差 Tolerance	±5% or ±10%
损耗因数 Dissipation Factor	≤6 × 10 <sup>-4</sup> 在1000±20Hz和25±5°C测定 ≤6 × 10 <sup>-4</sup> measured at 1000±20Hz and 25±5°C
预期寿命 Life Expectancy	在额定电压和 70°C (热点温度) 的条件下可达100,000小时 100,000 hours at Un and 70°C (Hot-spot temperature)

### 测试 TEST METHODS AND PERFORMANCE

极间耐电压 Voltage withstand between terminals	在1.5倍额定电压Un下持续10秒 (25±5°C) 1.5Un (DC) applied for 10 sec at 25±5°C
极壳之间耐电压 Test Voltage Terminal to Case	3kVAC/50Hz 持续60秒 3kVAC/50Hz for 60 sec
自放电时间常数 Self discharge time constant	≥30,000 秒不超过30GΩ (典型值)，电容器充电1分钟后增加100VDC (25±5°C) ≥30,000 sec but need not exceed 30GΩ (typical value), after 1 minute of electrification at 100VDC (25±5°C)



接线镀锡铜片的形式： SB(8B), SK(8K), SU(8U), SC(8C), UF(HF), CF(8F), SR(5R, 6R), SG(6G, 8G), SN(2N), ST, TF, SE, SD 和 SL 可按客户自定义要求订制。

Lug terminal type: SB(8B), SK(8K), SU(8U), SC(8C), UF(HF), CF(8F), SR(5R, 6R), SG(6G, 8G), SN(2N), ST, TF, SE, SD and SL custom design available upon request.

规格若有任何变更将不予通知。如有产品安全或技术问题，请即与我司业务部或代理商联系。  
Specifications are subject to change without notice. For any concern on safety or technical aspects on the product, please contact our sales offices or agents immediately.

产品编码和电性规格 PART NUMBER AND ELECTRICAL SPECIFICATIONS

产品编码 Part Number	容量 Cap ( $\mu$ F)	长度 L (mm)	宽度 B (mm)	高度 H (mm)	电压 上升 速率 du/dt (V/ $\mu$ s)	峰值 电流 I <sub>peak</sub> (A)	纹波 电流 I <sub>rms</sub> @25°C @10kHz (A)	等效 串联 电阻 ESR@ 100kHz (m $\Omega$ )
<b>Un 700VDC, Urms 380VAC, Us 1050V</b>								
PSM105*2SD2G**S1	1	42.5	24.5	27.5	325	325	15.0	3.2
PSM125*2SD2G**S1	1.2	42.5	24.5	27.5	325	390	16.0	3.1
PSM155*2SC30**S1	1.5	42.5	22.0	30.0	325	487	18.0	2.8
PSM205*2SG3E**S1	2	42.5	33.5	35.5	325	650	22.0	2.5
PSM205*2SE37**S1	2	42.5	28.0	37.0	325	650	21.5	2.5
PSM225*2SG3E**S1	2.2	42.5	33.5	35.5	325	715	22.5	2.4
PSM225*2SE37**S1	2.2	42.5	28.0	37.0	325	715	22.0	2.4
PSM255*2SG3E**S1	2.5	42.5	33.5	35.5	325	812	23.0	2.2
PSM255*2SE37**S1	2.5	42.5	28.0	37.0	325	812	22.5	2.2
PSM305*2SH45**S1	3	42.5	33.0	45.0	325	975	26.0	2.1
PSM305*2SF45**S1	3	42.5	30.0	45.0	325	975	25.5	2.1
PSM335*2SH45**S1	3.3	42.5	33.0	45.0	325	1072	26.5	2.1
PSM335*2SF45**S1	3.3	42.5	30.0	45.0	325	1072	26.0	2.1
PSM355*2SH45**S1	3.5	42.5	33.0	45.0	325	1134	27.0	2.0
PSM355*2SF45**S1	3.5	42.5	30.0	45.0	325	1134	26.5	2.0
PSM405*2SS45**S1	4	57.5	30.0	45.0	220	880	27.0	2.3
PSM405*2SH45**S1	4	42.5	33.0	45.0	325	1300	32.0	1.8
PSM475*2ST50**S1	4.7	57.5	35.0	50.0	220	1034	31.0	2.1
PSM475*2SS45**S1	4.7	57.5	30.0	45.0	220	1034	30.5	2.1
PSM505*2ST50**S1	5	57.5	35.0	50.0	220	1100	31.0	2.1
PSM505*2SS45**S1	5	57.5	30.0	45.0	220	1100	30.5	2.1
PSM565*2ST50**S1	5.6	57.5	35.0	50.0	220	1232	32.0	2.0
PSM685*2ST50**S1	6.8	57.5	35.0	50.0	220	1496	32.0	2.0
PSM106*2SU56**S1	10	57.5	42.5	56.0	220	2200	33.0	1.3
<b>Un 850VDC, Urms 550VAC, Us 1275V</b>								
PSM824*2RD2G**S1	0.82	42.5	24.5	27.5	400	328	15.5	3.1
PSM105*2RD2G**S1	1	42.5	24.5	27.5	400	400	17.5	2.7
PSM105*2RC30**S1	1	42.5	22.0	30.0	400	400	17.0	2.7
PSM155*2RG3E**S1	1.5	42.5	33.5	35.5	400	600	23.0	2.2
PSM155*2RE37**S1	1.5	42.5	28.0	37.0	400	600	22.5	2.2
PSM205*2RG3E**S1	2	42.5	33.5	35.5	400	800	23.5	2.2
PSM225*2RF45**S1	2.2	42.5	30.0	45.0	400	880	26.5	2.0
PSM255*2RH45**S1	2.5	42.5	33.0	45.0	400	1000	27.0	2.0
PSM255*2RF45**S1	2.5	42.5	30.0	45.0	400	1000	26.5	2.0
PSM305*2RS45**S1	3	57.5	30.0	45.0	280	840	28.0	1.9
PSM335*2RS45**S1	3.3	57.5	30.0	45.0	280	924	28.5	2.2
PSM405*2RT50**S1	4	57.5	35.0	50.0	280	1120	29.5	2.1
PSM475*2RT50**S1	4.7	57.5	35.0	50.0	280	1316	32.0	1.9
PSM685*2RU56**S1	6.8	57.5	42.5	56.0	280	1904	33.0	1.5

Snubber

规格若有任何变更将不予通知。如有产品安全或技术问题，请与我司业务部或代理商联系。  
Specifications are subject to change without notice. For any concern on safety or technical aspects on the product, please contact our sales offices or agents immediately.

产品编码和电性规格 PART NUMBER AND ELECTRICAL SPECIFICATIONS

产品编码 Part Number	容量 Cap ( $\mu$ F)	长度 L (mm)	宽度 B (mm)	高度 H (mm)	电压 上升 速率 du/dt (v/ $\mu$ s)	峰值 电流 I <sub>peak</sub> (A)	纹波 电流 I <sub>rms</sub> @25°C @10kHz (A)	等效 串联 电阻 ESR@ 100kHz (m $\Omega$ )
<b>Un 1000VDC, Urms 580VAC, Us 1500V</b>								
PSM684*3AD2G**S1	0.68	42.5	24.5	27.5	500	340	15.0	3.3
PSM754*3AD2G**S1	0.75	42.5	24.5	27.5	500	375	15.5	3.2
PSM754*3AC30**S1	0.75	42.5	22.0	30.0	500	375	15.0	3.2
PSM105*3AE37**S1	1	42.5	28.0	37.0	500	500	17.0	2.9
PSM125*3AG3E**S1	1.2	42.5	33.5	35.5	500	600	22.0	2.5
PSM125*3AE37**S1	1.2	42.5	28.0	37.0	500	600	21.5	2.5
PSM155*3AG3E**S1	1.5	42.5	33.5	35.5	500	750	23.5	2.2
PSM1G5*3AH45**S1	1.75	42.5	33.0	45.0	500	875	23.5	2.1
PSM1G5*3AF45**S1	1.75	42.5	30.0	45.0	500	875	23.0	2.1
PSM205*3AH45**S1	2	42.5	33.0	45.0	500	1000	26.5	2.0
PSM225*3AS45**S1	2.2	57.5	30.0	45.0	350	770	26.5	2.5
PSM255*3AS45**S1	2.5	57.5	30.0	45.0	350	875	28.0	2.1
PSM305*3AT50**S1	3	57.5	35.0	50.0	350	1050	31.0	2.1
PSM335*3AT50**S1	3.3	57.5	35.0	50.0	350	1155	31.0	2.0
PSM505*3AU56**S1	5	57.5	42.5	56.0	350	1750	33.0	1.6
<b>Un 1200VDC, Urms 500VAC, Us 1800V</b>								
PSM224*3OD2G**S1	0.22	42.5	24.5	27.5	650	143	11.5	5.2
PSM224*3OA26**S1	0.22	42.5	15.0	26.0	650	143	11.0	5.2
PSM334*3OD2G**S1	0.33	42.5	24.5	27.5	650	210	12.0	5.1
PSM334*3OA26**S1	0.33	42.5	15.0	26.0	650	210	11.5	5.1
PSM394*3OD2G**S1	0.39	42.5	24.5	27.5	650	254	13.0	4.6
PSM394*3OB28**S1	0.39	42.5	17.0	28.0	650	254	12.5	4.6
PSM474*3OD2G**S1	0.47	42.5	24.5	27.5	650	308	14.0	4.1
PSM474*3OC30**S1	0.47	42.5	22.0	30.0	650	308	13.5	4.1
PSM564*3OC30**S1	0.56	42.5	22.0	30.0	650	364	14.0	3.7
PSM564*3OD2G**S1	0.56	42.5	24.5	27.5	650	364	14.5	3.7
PSM684*3OG3E**S1	0.68	42.5	33.5	35.5	650	442	19.0	3.3
PSM684*3OC30**S1	0.68	42.5	22.0	30.0	650	442	18.5	3.3
PSM824*3OG3E**S1	0.82	42.5	33.5	35.5	650	533	20.0	3.0
PSM824*3OE37**S1	0.82	42.5	28.0	37.0	650	533	19.5	3.0
PSM105*3OG3E**S1	1	42.5	33.5	35.5	650	650	20.5	2.7
PSM105*3OE37**S1	1	42.5	28.0	37.0	650	650	20.0	2.7
PSM125*3OH45**S1	1.2	42.5	33.0	45.0	650	780	23.5	2.4
PSM125*3OF45**S1	1.2	42.5	30.0	45.0	650	780	23.0	2.4
PSM155*3OH45**S1	1.5	42.5	33.0	45.0	650	975	25.0	2.1
PSM155*3OF45**S1	1.5	42.5	30.0	45.0	650	975	24.5	2.1
PSM205*3OS45**S1	2	57.5	30.0	45.0	455	910	27.0	1.7
PSM225*3OT50**S1	2.2	57.5	35.0	50.0	455	1001	30.0	2.4
PSM225*3OS50**S1	2.2	57.5	30.0	50.0	455	1001	29.5	2.4
PSM255*3OT50**S1	2.5	57.5	35.0	50.0	455	1138	31.0	2.3
PSM305*3OT50**S1	3	57.5	35.0	50.0	455	1365	32.0	2.1
PSM455*3OU56**S1	4.5	57.5	42.5	56.0	455	2047	33.0	1.7

规格若有任何变更将不予通知。如有产品安全或技术问题，请即与我司业务部或代理商联系。  
Specifications are subject to change without notice. For any concern on safety or technical aspects on the product, please contact our sales offices or agents immediately.

产品编码和电性规格 PART NUMBER AND ELECTRICAL SPECIFICATIONS

产品编码 Part Number	容量 Cap ( $\mu$ F)	长度 L (mm)	宽度 B (mm)	高度 H (mm)	电压 上升 速率 du/dt (v/ $\mu$ s)	峰值 电流 I <sub>peak</sub> (A)	纹波 电流 I <sub>rms</sub> @25°C @10kHz (A)	等效 串联 电阻 ESR@ 100kHz (m $\Omega$ )
<b>Un 1500VDC, Urms 570VAC, Us 2250V</b>								
PSM334*3ZD2G**S1	0.33	42.5	24.5	27.5	800	264	13.5	4.6
PSM394*3ZC30**S1	0.39	42.5	22.0	30.0	800	312	13.5	4.3
PSM474*3ZG3E**S1	0.47	42.5	33.5	35.5	800	376	18.0	3.7
PSM474*3ZE37**S1	0.47	42.5	28.0	37.0	800	376	17.5	3.7
PSM684*3ZG3E**S1	0.68	42.5	33.5	35.5	800	544	19.5	3.1
PSM684*3ZE37**S1	0.68	42.5	28.0	37.0	800	544	19.0	3.1
PSM754*3ZG3E**S1	0.75	42.5	33.5	35.5	800	600	20.5	2.8
PSM105*3ZH45**S1	1	42.5	33.0	45.0	800	800	23.0	2.5
PSM105*3ZF45**S1	1	42.5	30.0	45.0	800	800	22.5	2.5
PSM125*3ZS45**S1	1.2	57.5	30.0	45.0	560	672	25.0	2.8
PSM155*3ZT50**S1	1.5	57.5	35.0	50.0	560	840	28.0	2.5
PSM185*3ZT50**S1	1.8	57.5	35.0	50.0	560	1008	29.5	2.3
PSM255*3ZU56**S1	2.5	57.5	42.5	56.0	560	1400	31.0	1.8
<b>Un 1700VDC, Urms 575VAC, Us 2550V</b>								
PSM224*37D2G**S1	0.22	42.5	24.5	27.5	880	194	13.2	5.3
PSM224*37B28**S1	0.22	42.5	17.0	28.0	880	194	13.0	5.3
PSM334*37D2G**S1	0.33	42.5	24.5	27.5	880	290	14.0	5.0
PSM334*37C30**S1	0.33	42.5	22.0	30.0	880	290	13.5	5.0
PSM474*37G3E**S1	0.47	42.5	33.5	35.5	880	413	19.0	3.8
PSM474*37E37**S1	0.47	42.5	28.0	37.0	880	413	18.5	3.8
PSM564*37G3E**S1	0.56	42.5	33.5	35.5	880	492	19.5	3.1
PSM564*37E37**S1	0.56	42.5	28.0	37.0	880	492	19.0	3.1
PSM684*37G3E**S1	0.68	42.5	33.5	35.5	880	598	20.0	2.9
PSM824*37H45**S1	0.82	42.5	33.0	45.0	880	721	22.1	2.5
PSM824*37F45**S1	0.82	42.5	30.0	45.0	880	721	19.5	2.5
PSM105*37S45**S1	1	57.5	30.0	45.0	610	610	23.5	2.7
PSM125*37S45**S1	1.2	57.5	30.0	45.0	610	732	26.2	2.6
PSM155*37T50**S1	1.5	57.5	35.0	50.0	610	915	28.5	2.4
PSM225*37U56**S1	2.2	57.5	42.5	56.0	610	1342	30.0	1.8
<b>Un 2000VDC, Urms 630VAC, Us 3000V</b>								
PSM104*3DD2G**S1	0.1	42.5	24.5	27.5	1000	100	8.0	13.0
PSM104*3DA26**S1	0.1	42.5	15.0	26.0	1000	100	8.5	13.0
PSM154*3DD2G**S1	0.15	42.5	24.5	27.5	1000	150	10.5	7.5
PSM154*3DB28**S1	0.15	42.5	17.0	28.0	1000	150	10.0	7.5
PSM224*3DD2G**S1	0.22	42.5	24.5	27.5	1000	220	12.0	5.1
PSM224*3DC30**S1	0.22	42.5	22.0	30.0	1000	220	11.5	5.1
PSM334*3DG3E**S1	0.33	42.5	33.5	35.5	1000	330	16.5	4.1
PSM334*3DE37**S1	0.33	42.5	28.0	37.0	1000	330	16.0	4.1
PSM394*3DG3E**S1	0.39	42.5	33.5	35.5	1000	390	17.5	3.6
PSM394*3DE37**S1	0.39	42.5	28.0	37.0	1000	390	17.0	3.6
PSM474*3DH45**S1	0.47	42.5	33.0	45.0	1000	470	20.5	3.2
PSM474*3DE37**S1	0.47	42.5	28.0	37.0	1000	470	20.0	3.2
PSM564*3DH45**S1	0.56	42.5	33.0	45.0	1000	560	21.5	3.0
PSM684*3DS45**S1	0.68	57.5	30.0	45.0	700	476	22.5	3.5
PSM824*3DS45**S1	0.82	57.5	30.0	45.0	700	574	24.0	3.1
PSM105*3DT50**S1	1	57.5	35.0	50.0	700	700	27.0	2.8
PSM125*3DT50**S1	1.2	57.5	35.0	50.0	700	840	29.0	2.4
PSM185*3DU56**S1	1.8	57.5	42.5	56.0	700	1260	31.0	2.0

规格若有任何变更将不予通知。如有产品安全或技术问题，请与我司业务部或代理商联系。

Specifications are subject to change without notice. For any concern on safety or technical aspects on the product, please contact our sales offices or agents immediately.

产品编码和电性规格 PART NUMBER AND ELECTRICAL SPECIFICATIONS

产品编码 Part Number	容量 Cap ( $\mu$ F)	长度 L (mm)	宽度 B (mm)	高度 H (mm)	电压 上升 速率 du/dt (v/ $\mu$ s)	峰值 电流 I <sub>peak</sub> (A)	纹波 电流 I <sub>rms</sub> @25°C @10kHz (A)	等效 串联 电阻 ESR@ 100kHz (m $\Omega$ )
<b>Un 2500VDC, Urms 700VAC, Us 3750V</b>								
PSM104*3ED2G**S1	0.1	42.5	24.5	27.5	1350	135	9.0	11.2
PSM104*3EB28**S1	0.1	42.5	17.0	28.0	1350	135	8.5	11.2
PSM154*3ED2G**S1	0.15	42.5	24.5	27.5	1350	202	11.0	7.2
PSM154*3EC30**S1	0.15	42.5	22.0	30.0	1350	202	10.5	7.2
PSM224*3EG3E**S1	0.22	42.5	33.5	35.5	1350	297	15.0	5.2
PSM224*3EE37**S1	0.22	42.5	28.0	37.0	1350	297	14.5	5.2
PSM334*3EG3E**S1	0.33	42.5	33.5	35.5	1350	445	18.0	3.8
PSM474*3EH45**S1	0.47	42.5	33.0	45.0	1350	634	22.0	3.0
PSM564*3ES45**S1	0.56	57.5	30.0	45.0	945	530	22.5	3.5
PSM684*3ET50**S1	0.68	57.5	35.0	50.0	945	642	25.0	3.2
PSM824*3ET50**S1	0.82	57.5	35.0	50.0	945	774	26.0	2.9
PSM125*3EU56**S1	1.2	57.5	42.5	56.0	945	1134	28.0	2.4
<b>Un 3000VDC, Urms 750VAC, Us 5500V</b>								
PSM473*3ID2G**S1	0.047	42.5	24.5	27.5	1600	75	7.4	17.0
PSM473*3IA26**S1	0.047	42.5	15.0	26.0	1600	75	7.0	17.0
PSM683*3ID2G**S1	0.068	42.5	24.5	27.5	1600	108	9.0	12.0
PSM683*3IB28**S1	0.068	42.5	17.0	28.0	1600	108	8.5	12.0
PSM104*3IG3E**S1	0.1	42.5	33.5	35.5	1600	160	12.0	8.5
PSM104*3IC30**S1	0.1	42.5	22.0	30.0	1600	160	11.5	8.5
PSM154*3IG3E**S1	0.15	42.5	33.5	35.5	1600	240	14.5	6.1
PSM154*3IE37**S1	0.15	42.5	28.0	37.0	1600	240	14.0	6.1
PSM224*3IH45**S1	0.22	42.5	33.0	45.0	1600	352	17.6	1.3
PSM224*3IF45**S1	0.22	42.5	30.0	45.0	1600	352	17.0	1.3
PSM334*3IS45**S1	0.33	57.5	30.0	45.0	870	288	21.0	4.2
PSM474*3IT50**S1	0.47	57.5	35.0	50.0	870	408	23.0	3.9
PSM564*3IT50**S1	0.56	57.5	35.0	50.0	870	487	23.0	3.8
PSM824*3IU56**S1	0.82	57.5	42.5	56.0	870	714	26.0	3.0

备注： 产品编码的第7位的“\*”是代表可选容差为 J=  $\pm$ 5% 或 K=  $\pm$ 10%。

产品编码的第13位和第14位的“\*\*”是代表可选25种接线片形式 SB(8B), SK(8K), SU(8U), SC(8C), UF(HF), CF(8F), SR(5R, 6R), SG(6G, 8G), SN(2N), ST, TF, SE, SD 和 SL。

Remark : The “\*” in 7th digit is used for the capacitance tolerance, J=  $\pm$ 5% or K=  $\pm$ 10%.

The “\*\*” in 13th and 14th digits are used for the lug style: SB(8B), SK(8K), SU(8U), SC(8C), UF(HF), CF(8F), SR(5R, 6R), SG(6G, 8G), SN(2N), ST, TF, SE, SD and SL.

规格若有任何变更将不予通知。如有产品安全或技术问题，请即与我司业务部或代理商联系。  
Specifications are subject to change without notice. For any concern on safety or technical aspects on the product, please contact our sales offices or agents immediately.

# PSM 系列 Series

## IGBT 吸收电容器 IGBT Snubber

### 接线镀锡铜片的形式和尺寸 LUG STYLE & DIMENSIONS

按 IGBT 模件的安装连接指引选择合适的接线片形式。  
Chose the correct styles according to the assembly instruction of IGBT module.

产品编码的第13位元和第14位的“\*\*”是代表可选25种接线片形式。  
SB(8B), SK(8K), SU(8U), SC(8C), UF(HF), CF(8F), SR(5R, 6R), SG(6G, 8G), SN(2N), ST, TF, SE, SD 和 SL。

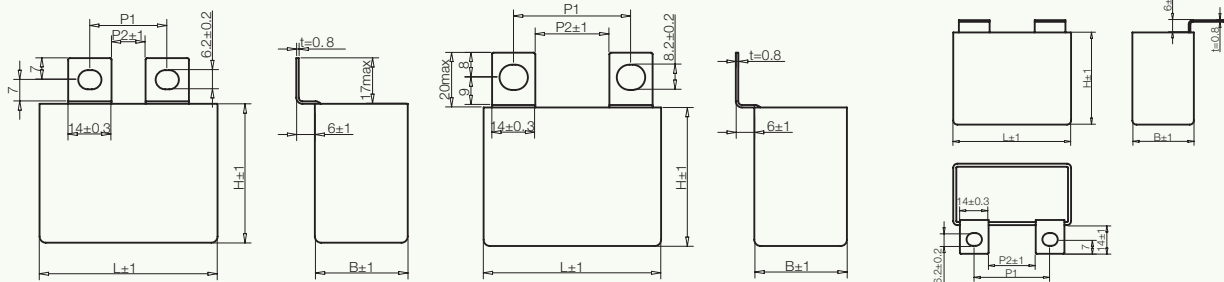
The code includes the 13th and 14th digits“\*\*”. You can change the symbol according to your selections.  
SB(8B), SK(8K), SU(8U), SC(8C), UF(HF), CF(8F), SR(5R, 6R), SG(6G, 8G), SN(2N), ST, TF, SE, SD and SL.



### 产品编码 Part Number : PSM105\*2SD2G\*\*S1

接线片形式 Lug Style: SB(8B), SK(8K), SU(8U), SC(8C), UF(HF), CF(8F), SR(5R, 6R), SG(6G, 8G), SN(2N), ST, TF, SE, SD and SL.

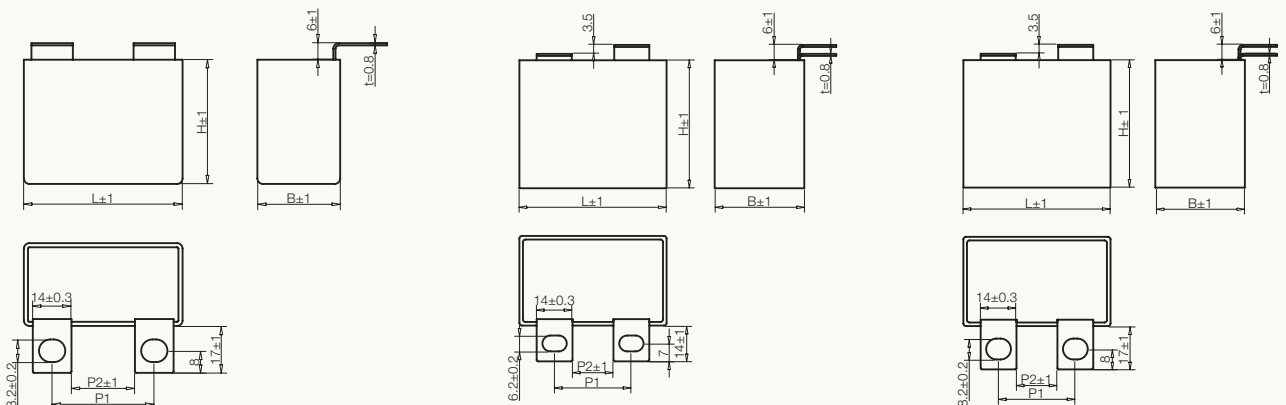
### 接线片间距 Fixing pitch and distance between lugs (mm)



L	接出口 Output: M6			
	SB 形式 Style		8B 形式 Style	
	P2	P1	P2	P1
42.5	11	23-28	8	20-25
57.5	11	23-28	24	36-41

L	接出口 Output: M8			
	SK 形式 Style		8K 形式 Style	
	P2	P1	P2	P1
42.5	11	24-26	8	21-23
57.5	11	24-26	24	37-39

L	接出口 Output: M6			
	SU 形式 Style		8U 形式 Style	
	P2	P1	P2	P1
42.5	11	23-28	8	20-25
57.5	11	23-28	24	36-41



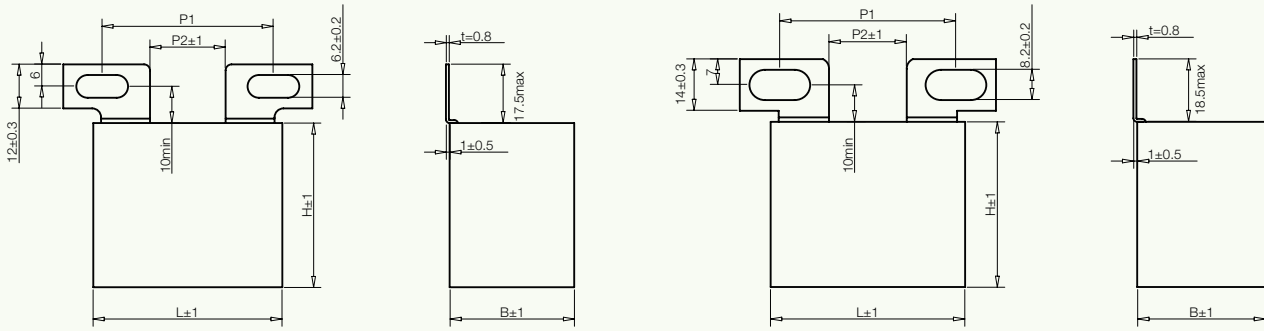
L	接出口 Output: M8			
	SC 形式 Style		8C 形式 Style	
	P2	P1	P2	P1
42.5	11	24-26	8	21-23
57.5	11	24-26	24	37-39

L	接出口 Output: M6			
	UF 形式 Style		HF 形式 Style	
	P2	P1	P2	P1
42.5	11	23-28	8	20-25
57.5	11	23-28	24	36-41

L	接出口 Output: M8			
	CF 形式 Style		8F 形式 Style	
	P2	P1	P2	P1
42.5	11	24-26	8	21-23
57.5	11	24-26	24	37-39

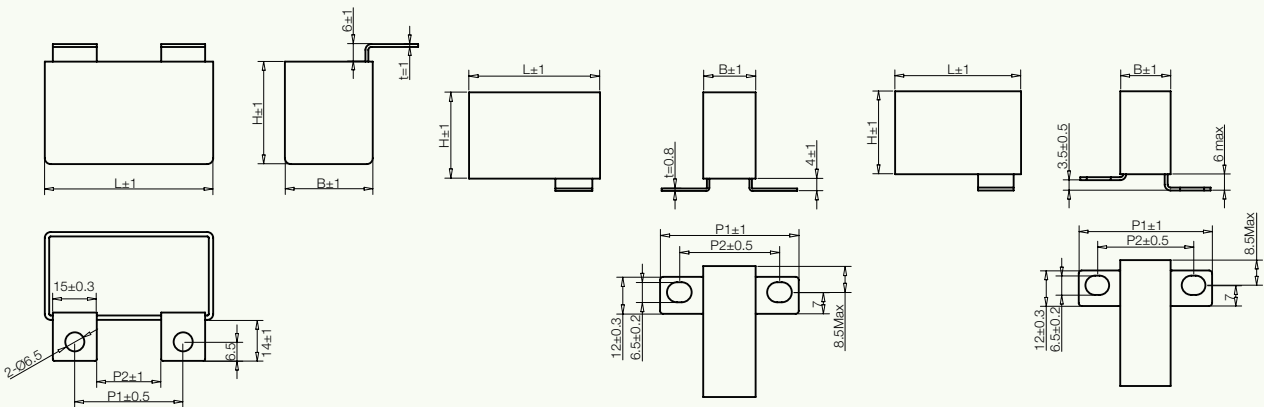
规格若有任何变更将不予通知。如有产品安全或技术问题，请与我司业务部或代理商联系。  
Specifications are subject to change without notice. For any concern on safety or technical aspects on the product, please contact our sales offices or agents immediately.

接线片间距 Fixing pitch and distance between lugs (mm)



L	接出口 Output: M6					
	SR 形式 Style		5R 形式 Style		6G 形式 Style	
	P2	P1	P2	P1	P2	P1
42.5	11	29-39	15	33-45		
57.5	11	29-39	15	33-45	28	46-58

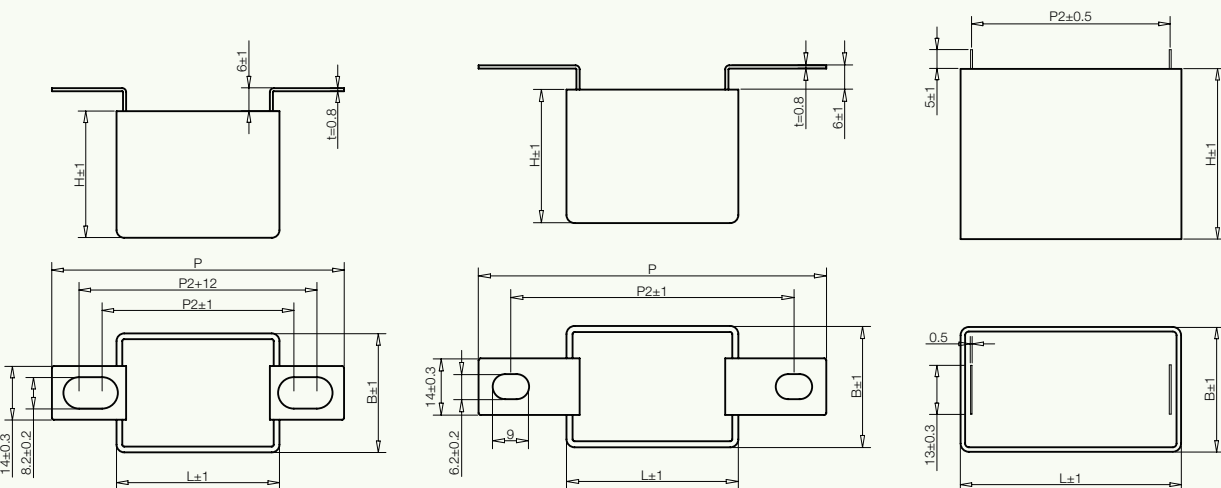
L	接出口 Output: M8					
	8G 形式 Style		SG 形式 Style		6G 形式 Style	
	P2	P1	P2	P1	P2	P1
42.5	8	33-42	15	40-49		
57.5	15	40-49	24	49-58	28	53-62



L	接出口 Output: M8			
	SN 形式 Style		2N 形式 Style	
	P2	P	P2	P
42.5	8	23		
57.5	13	28	22	37

B	接出口 Output: M6	
	ST 形式 Style	
	P2	P1
15	30	43
17	32	45

B	接出口 Output: M6	
	TF 形式 Style	
	P2	P1
15	30	43
17	32	45



L	接出口 Output: M8	
	SE 形式 Style	
	P2	P (max)
42.5	50	82
57.5	65	97

L	接出口 Output: M6	
	SD 形式 Style	
	P2	P (max)
42.5	67-73	91
57.5	82-88	106

L	SL 形式 Style
	P2
42.5	37.5
57.5	52.5

规格若有任何变更将不予通知。如有产品安全或技术问题，请即与我司业务部或代理商联系。  
Specifications are subject to change without notice. For any concern on safety or technical aspects on the product, please contact our sales offices or agents immediately.



# PSD/PS4 系列 Series

## IGBT 吸收电容器 IGBT Snubber

### 基本技术特点 GENERAL TECHNICAL CHARACTERISTICS

引用标准 Reference Standards	IEC 61071-60068
绝缘介质 Dielectric	聚丙烯薄膜 Polypropylene film
结构 Construction	双面金属化膜·内部串联结构 Double sided metallized film with internal series connection
封装 Coating	UL94V-0 阻燃防火和耐溶剂塑胶壳并以环氧树脂灌封 Solvent resistant plastic case with resin sealing Flame retardant execution (UL94V-0)
引出端连接形式 Leads	以螺丝作固定的接线镀锡铜片 Tinned copper lugs for screw fixing



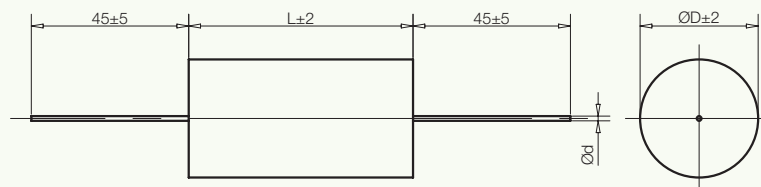
### 技术规格 ELECTRICAL CHARACTERISTICS

工作温度 Operating Temperature	-40 to +85°C (外壳 case)
电容量 Capacitance	0.0068 to 8.5μF
额定电压 Rated Voltage	700 to 3000VDC
容差 Tolerance	±5% or ±10%
损耗因数 Dissipation Factor	≤6 × 10 <sup>-4</sup> 在1000±20Hz和25±5°C测定 ≤6 × 10 <sup>-4</sup> measured at 1000±20Hz and 25±5°C
预期寿命 Life Expectancy	在额定电压和 70°C (热点温度)的条件下可达100,000小时 100,000 hours at Un and 70°C (Hot-spot temperature)

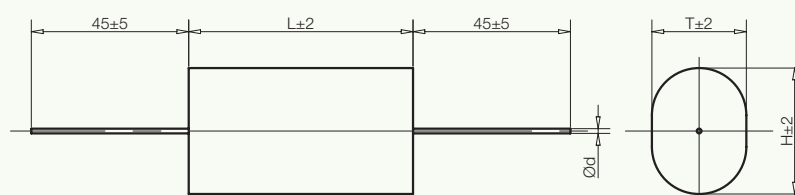
### 测试 TEST METHODS AND PERFORMANCE

极间耐电压 Voltage withstand between terminals	在1.5倍额定电压Un下持续10秒 (25±5°C) 1.5Un (DC) applied for 10 sec at 25±5°C
极壳之间耐电压 Test Voltage Terminal to Case	3kVAC/50Hz 持续60秒 3kVAC/50Hz for 60 sec
自放电时间常数 Self discharge time constant	≥30,000 秒不超过30GΩ (典型值), 电容器充电1分钟后增加100VDC (25±5°C) ≥30,000 sec but need not exceed 30GΩ (typical value), after 1 minute of electrification at 100VDC (25±5°C)

PSD Series



PS4 Series



规格若有任何变更将不予通知。如有产品安全或技术问题，请即与我司业务部或代理商联系。  
Specifications are subject to change without notice. For any concern on safety or technical aspects on the product, please contact our sales offices or agents immediately.

产品编码和电性规格 PART NUMBER AND ELECTRICAL SPECIFICATIONS

产品编码 Part Number	容量 Cap ( $\mu$ F)	尺寸 Dimension (mm)				电压 上升 速率 du/dt (v/ $\mu$ s)	峰值 电流 Ipeak (A)	纹波 电流 Irms @25°C @10kHz (A)	等效 串联 电阻 ESR@ 100kHz (m $\Omega$ )	
		长度 L	圆 Round	椭圆 Oval						引线 直径 d
			直径 D	短轴 T	长轴 H					
Un 700VDC, Urms 380VAC, Us 1050V										
PSD334*2S422RRS1	0.33	32	14.2			0.8	480	158	6	6.9
PSD474*2SK62RRS1	0.47	32	16.6			0.8	480	226	8	4.7
PSD684*2S972RRS1	0.68	32	19.7			1.0	480	326	9	3.9
PSD684*2S564RRS1	0.68	44	15.6			1.0	325	221	9	4.4
PSD105*2SL74RRS1	1	44	18.7			1.2	325	325	9	3.9
PSD155*2SN64RRS1	1.5	44	22.6			1.2	325	488	12	3.3
PSD205*2SO94RRS1	2	44	25.9			1.2	325	650	12	3.0
PSD225*2S7A4RRS1	2.2	44	27.1			1.2	325	715	12	2.9
PSD225*2SN6GRRS1	2.2	57	22.6			1.2	240	528	12	3.8
PSD255*2S884RRS1	2.5	44	28.8			1.2	325	813	12	3.5
PSD255*2SD0GRRS1	2.5	57	24.0			1.2	240	600	12	3.8
PSD305*2S144RRS1	3	44	31.4			1.2	325	975	12	3.1
PSD305*2SF2GRRS1	3	57	26.2			1.2	240	720	12	3.3
PSD335*2S294RRS1	3.3	44	32.9			1.2	325	1073	12	2.9
PSD355*2S82GRRS1	3.5	57	28.2			1.2	240	840	12	2.7
PSD405*2SP0GRRS1	4	57	30.0			1.2	240	960	12	2.6
PSD475*2S25GRRS1	4.7	57	32.5			1.2	240	1128	12	2.5
PSD565*2SQ4GRRS1	5.6	57	35.4			1.2	240	1344	12	2.3
PSD685*2S89GRRS1	6.8	57	38.9			1.2	240	1632	12	2.0
PSD855*2SV6GRRS1	8.5	57	43.3			1.2	240	2040	12	1.6
PS4224*2SFR2RRS1	0.22	32		7.9	14.3	0.8	480	106	5.5	9.9
PS4334*2SGJ2RRS1	0.33	32		9.5	17.5	0.8	480	158	6	6.9
PS4474*2SAK2RRS1	0.47	32		11.9	19.9	0.8	480	226	8	4.7
PS4684*2SBD2RRS1	0.68	32		14.9	22.9	1.0	480	326	9	3.9
PS4684*2SAF4RRS1	0.68	44		10.9	18.9	1.0	325	221	9	4.4
PS4105*2SAW4RRS1	1	44		13.9	21.9	1.2	325	325	9	3.9
PS4155*2SBX4RRS1	1.5	44		16.3	27.5	1.2	325	488	12	3.3
PS4205*2SCK4RRS1	2	44		19.5	30.7	1.2	325	650	12	3.0
PS4225*2SCP4RRS1	2.2	44		20.7	31.9	1.2	325	715	12	2.9
PS4225*2SBXGRRS1	2.2	57		16.3	27.5	1.2	240	528	12	3.8
PS4255*2SCX4RRS1	2.5	44		22.4	33.6	1.2	325	813	12	3.5
PS4255*2SCAGRRS1	2.5	57		17.7	28.9	1.2	240	600	12	3.8
PS4305*2SDZ4RRS1	3	44		25.0	36.2	1.2	325	975	12	3.1
PS4305*2SCLGRRS1	3	57		19.8	31.0	1.2	240	720	12	3.3
PS4335*2SEA4RRS1	3.3	44		26.4	37.6	1.2	325	1073	12	2.9
PS4355*2SCSGRRS1	3.5	57		21.8	33.0	1.2	240	840	12	2.7
PS4405*2SDHGRRS1	4	57		23.6	34.8	1.2	240	960	12	2.6
PS4475*2SEEGRRS1	4.7	57		26.0	37.2	1.2	240	1128	12	2.5
PS4565*2SEQGRRS1	5.6	57		28.8	40.0	1.2	240	1344	12	2.3

规格若有任何变更将不予通知。如有产品安全或技术问题，请即与我司业务部或代理商联系。  
Specifications are subject to change without notice. For any concern on safety or technical aspects on the product, please contact our sales offices or agents immediately.

产品编码和电性规格 PART NUMBER AND ELECTRICAL SPECIFICATIONS

产品编码 Part Number	容量 Cap ( $\mu$ F)	尺寸 Dimension (mm)				电压 上升 速率 du/dt (V/ $\mu$ s)	峰值 电流 I <sub>peak</sub> (A)	纹波 电流 I <sub>rms</sub> @25°C @10kHz (A)	等效 串联 电阻 ESR@ 100kHz (m $\Omega$ )	
		长度 L	圆 Round	椭圆 Oval						引线 直径 d
			直径 D	短轴 T	长轴 H					
Un 850VDC, Urms 550VAC, Us 1275V										
PSD224*2RJ72RRS1	0.22	32	13.7			0.8	700	154	6.5	6.5
PSD224*2RY14RRS1	0.22	44	11.1			0.8	400	88	6.5	7.9
PSD334*2RK42RRS1	0.33	32	16.4			1.0	700	231	8	4.8
PSD334*2RJ24RRS1	0.33	44	13.2			1.0	400	132	7.5	6.2
PSD474*2R932RRS1	0.47	32	19.3			1.0	700	329	9	9.5
PSD474*2R544RRS1	0.47	44	15.4			1.0	400	188	9	5.3
PSD684*2RL24RRS1	0.68	44	18.2			1.0	400	272	9	3.2
PSD105*2RB84RRS1	1	44	21.8			1.2	400	400	12	3.3
PSD155*2RF44RRS1	1.5	44	26.4			1.2	400	600	12	2.8
PSD205*2RP44RRS1	2	44	30.4			1.2	400	800	12	3.0
PSD225*2R184RRS1	2.2	44	31.8			1.2	400	880	12	2.3
PSD225*2RF5GRRS1	2.2	57	26.5			1.2	290	638	12	2.8
PSD255*2R384RRS1	2.5	44	33.8			1.2	400	1000	12	2.6
PSD255*2R81GRRS1	2.5	57	28.1			1.2	290	725	12	2.8
PSD305*2RP7GRRS1	3	57	30.7			1.2	290	870	12	2.6
PSD335*2R22GRRS1	3.3	57	32.2			1.2	290	957	12	2.4
PSD405*2RQ3GRRS1	4	57	35.3			1.2	290	1160	12	2.3
PSD475*2RH2GRRS1	4.7	57	38.2			1.2	290	1363	12	2.0
PSD565*2RI6GRRS1	5.6	57	41.6			1.2	290	1624	12	1.7
PS4104*2RFC2RRS1	0.1	32		5.9	12.3	0.8	700	70	4	11.5
PS4154*2RFN2RRS1	0.15	32		7.6	14.0	0.8	700	105	5.5	8.6
PS4224*2RGH2RRS1	0.22	32		9.1	17.1	0.8	700	154	6.5	6.5
PS4224*2RFJ4RRS1	0.22	44		7.1	13.5	0.8	400	88	6.5	7.9
PS4334*2RAJ2RRS1	0.33	32		11.7	19.7	1.0	700	231	8	4.8
PS4334*2RGC4RRS1	0.33	44		8.5	16.5	1.0	400	132	7.5	6.2
PS4474*2RBB2RRS1	0.47	32		14.6	22.6	1.0	700	329	9	9.5
PS4474*2RAE4RRS1	0.47	44		10.7	18.7	1.0	400	188	9	5.3
PS4684*2RAU4RRS1	0.68	44		13.5	21.5	1.0	400	272	9	3.2
PS4105*2RBQ4RRS1	1	44		15.6	26.8	1.2	400	400	12	3.3
PS4155*2RCN4RRS1	1.5	44		20.1	31.3	1.2	400	600	12	2.8
PS4205*2RDM4RRS1	2	44		23.9	35.1	1.2	400	800	12	3.0
PS4225*2RDU4RRS1	2.2	44		25.3	36.5	1.2	400	880	12	2.3
PS4225*2RCNGRRS1	2.2	57		20.1	31.3	1.2	290	638	12	2.8
PS4255*2REH4RRS1	2.5	44		27.3	38.5	1.2	400	1000	12	2.6
PS4255*2RCRGRRS1	2.5	57		21.7	32.9	1.2	290	725	12	2.8
PS4305*2RDPGRRS1	3	57		24.3	35.5	1.2	290	870	12	2.6
PS4335*2RDWGRS1	3.3	57		25.7	36.9	1.2	290	957	12	2.4
PS4405*2REQGRRS1	4	57		28.8	40.0	1.2	290	1160	12	2.3

Snubber

规格若有任何变更将不予通知。如有产品安全或技术问题，请即与我司业务部或代理商联系。  
Specifications are subject to change without notice. For any concern on safety or technical aspects on the product, please contact our sales offices or agents immediately.

产品编码和电性规格 PART NUMBER AND ELECTRICAL SPECIFICATIONS

产品编码 Part Number	容量 Cap ( $\mu$ F)	尺寸 Dimension (mm)				引线 直径 d	电压 上升 速率 du/dt (v/ $\mu$ s)	峰值 电流 Ipeak (A)	纹波 电流 Irms @25°C @10kHz (A)	等效 串联 电阻 ESR@ 100kHz (m $\Omega$ )
		长度 L	圆 Round	椭圆 Oval						
			直径 D	短轴 T	长轴 H					
Un 1000VDC, Urms 580VAC, Us 1500V										
PSD224*3A562RRS1	0.22	32	15.6			1.0	850	187	7	7.8
PSD334*3AL72RRS1	0.33	32	18.7			1.0	850	281	9	4.5
PSD334*3A494RRS1	0.33	44	14.9			1.0	570	188	9	5.8
PSD474*3AN12RRS1	0.47	32	22.1			1.0	850	400	9	3.8
PSD474*3A754RRS1	0.47	44	17.5			1.0	570	268	9	4.7
PSD684*3AM84RRS1	0.68	44	20.8			1.0	570	388	9	4.0
PSD105*3AO04RRS1	1	44	25.0			1.2	570	570	12	3.2
PSD155*3AP34RRS1	1.5	44	30.3			1.2	570	855	12	3.6
PSD155*3AO2GRRS1	1.5	57	25.2			1.2	340	510	12	3.9
PSD205*3AA0GRRS1	2	57	29.0			1.2	340	680	12	3.0
PSD225*3AP3GRRS1	2.2	57	30.3			1.2	340	748	12	2.7
PSD305*3AQ3GRRS1	3	57	35.3			1.2	340	1020	12	2.4
PSD335*3A69GRRS1	3.3	57	36.9			1.2	340	1122	12	2.1
PSD405*3AR6GRRS1	4	57	40.6			1.2	340	1360	12	1.8
PSD475*3AV9GRRS1	4.7	57	43.9			1.2	340	1598	12	1.6
PS4104*3AFQ2RRS1	0.1	32		7.7	12.5	0.8	850	85	5	12.0
PS4154*3AGG2RRS1	0.15	32		9.1	15.5	0.8	850	128	6	8.2
PS4224*3AAF2RRS1	0.22	32		10.9	18.9	1.0	850	187	7	7.8
PS4334*3ABF2RRS1	0.33	32		14.0	22.0	1.0	850	281	9	4.5
PS4334*3AAC4RRS1	0.33	44		10.2	18.2	1.0	570	188	9	5.8
PS4474*3ABU2RRS1	0.47	32		15.9	27.1	1.0	850	400	9	3.8
PS4474*3AAR4RRS1	0.47	44		12.8	20.8	1.0	570	268	9	4.7
PS4684*3ABC4RRS1	0.68	44		14.6	25.8	1.0	570	388	9	4.0
PS4105*3ACG4RRS1	1	44		18.6	29.8	1.2	570	570	12	3.2
PS4155*3ADM4RRS1	1.5	44		23.9	35.1	1.2	570	855	12	3.6
PS4155*3ACJGRRS1	1.5	57		18.9	30.1	1.2	340	510	12	3.9
PS4205*3ACZGRRS1	2	57		22.6	33.8	1.2	340	680	12	3.0
PS4225*3ADMGRRS1	2.2	57		23.9	35.1	1.2	340	748	12	2.7
PS4305*3AEPGRRS1	3	57		28.7	39.9	1.2	340	1020	12	2.4
PS4335*3AEWGRRS1	3.3	57		32.9	39.3	1.2	340	1122	12	2.1

Snubber

规格若有任何变更将不予通知。如有产品安全或技术问题，请即与我司业务部或代理商联系。  
Specifications are subject to change without notice. For any concern on safety or technical aspects on the product, please contact our sales offices or agents immediately.

产品编码和电性规格 PART NUMBER AND ELECTRICAL SPECIFICATIONS

产品编码 Part Number	容量 Cap ( $\mu\text{F}$ )	尺寸 Dimension (mm)					电压 上升 速率 du/dt ( $\text{V}/\mu\text{s}$ )	峰值 电流 I <sub>peak</sub> (A)	纹波 电流 I <sub>rms</sub> @25°C @10kHz (A)	等效 串联 电阻 ESR@ 100kHz ( $\text{m}\Omega$ )
		长度 L	圆 Round	椭圆 Oval		引线 直径 d				
			直径 D	短轴 T	长轴 H					
Un 1200VDC, Urms 500VAC, Us 1800V										
PSD104*3O984RRS1	0.1	44	9.8			0.8	650	65	5	13.1
PSD154*3O432RRS1	0.15	32	14.3			1.0	1100	165	6	7.7
PSD154*3OH77RRS1	0.15	37	12.7			1.0	840	126	6	8.7
PSD154*3OY54RRS1	0.15	44	11.5			1.0	650	98	6	10.0
PSD224*3O702RRS1	0.22	32	17.0			1.0	1100	242	9	5.4
PSD224*3OJ64RRS1	0.22	44	13.6			1.0	650	143	9	7.6
PSD334*3OM52RRS1	0.33	32	20.5			1.0	1100	363	9	4.5
PSD334*3OK34RRS1	0.33	44	16.3			1.0	650	215	9	5.4
PSD474*3O974RRS1	0.47	44	19.7			1.0	650	306	9	4.8
PSD684*3ON84RRS1	0.68	44	22.8			1.2	650	442	12	3.9
PSD105*3O7D4RRS1	1	44	27.4			1.2	650	650	12	3.4
PSD105*3ON8GRRS1	1	57	22.8			1.2	385	385	12	3.8
PSD125*3OA94RRS1	1.2	44	29.9			1.2	650	780	12	3.0
PSD125*3OD9GRRS1	1.2	57	24.9			1.2	385	462	12	3.4
PSD155*3O334RRS1	1.5	44	33.3			1.2	650	975	12	2.7
PSD155*3O7GGRRS1	1.5	57	27.7			1.2	385	578	12	3.0
PSD205*3O18GRRS1	2	57	31.8			1.2	385	770	12	2.6
PSD225*3O33GRRS1	2.2	57	33.3			1.2	385	847	12	2.5
PSD255*3OQ4GRRS1	2.5	57	35.4			1.2	385	963	12	2.3
PSD305*3O87GRRS1	3	57	38.7			1.2	385	1155	12	2.0
PSD335*3OR6GRRS1	3.3	57	40.6			1.2	385	1270	12	1.7
PSD405*3OX6GRRS1	4	57	44.6			1.2	385	1540	12	1.5
PS4473*3O EZ2RRS1	0.047	32		5.5	10.3	0.8	1100	52	3	19.4
PS4683*3OFG2RRS1	0.068	32		6.9	11.7	0.8	1100	75	3.5	12.0
PS4104*3OGD2RRS1	0.1	32		8.7	13.5	0.8	1100	110	5	10.7
PS4104*3OFB4RRS1	0.1	44		5.8	12.2	0.8	650	65	5	13.1
PS4154*3OGK2RRS1	0.15	32		9.6	17.6	1.0	1100	165	6	7.7
PS4154*3OFX7RRS1	0.15	37		8.1	16.1	1.0	840	126	6	8.7
PS4154*3OFM4RRS1	0.15	44		7.5	13.9	1.0	650	98	6	10.0
PS4224*3OAM2RRS1	0.22	32		12.3	20.3	1.0	1100	242	9	5.4
PS4224*3OGF4RRS1	0.22	44		8.9	16.9	1.0	650	143	9	7.6
PS4334*3OBR2RRS1	0.33	32		15.7	23.7	1.0	1100	363	9	4.5
PS4334*3OAH4RRS1	0.33	44		11.6	19.6	1.0	650	215	9	5.4
PS4474*3OAZ4RRS1	0.47	44		14.4	22.4	1.0	650	306	9	4.8
PS4684*3OBY4RRS1	0.68	44		16.5	27.7	1.2	650	442	12	3.9
PS4105*3OCT4RRS1	1	44		21.0	32.2	1.2	650	650	12	3.4
PS4105*3OBYGRRS1	1	57		16.5	27.7	1.2	385	385	12	3.8
PS4125*3ODF4RRS1	1.2	44		23.4	34.6	1.2	650	780	12	3.0
PS4125*3OCFGRRS1	1.2	57		18.5	29.7	1.2	385	462	12	3.4
PS4155*3OED4RRS1	1.5	44		26.8	38.0	1.2	650	975	12	2.7
PS4155*3OCQGRRS1	1.5	57		21.3	32.5	1.2	385	578	12	3.0
PS4205*3ODUGRRS1	2	57		25.3	36.5	1.2	385	770	12	2.6
PS4225*3OEDGRRS1	2.2	57		26.8	38.0	1.2	385	847	12	2.5
PS4255*3OESGRRS1	2.5	57		28.9	40.1	1.2	385	963	12	2.3

规格若有任何变更将不予通知。如有产品安全或技术问题，请与我司业务部或代理商联系。  
Specifications are subject to change without notice. For any concern on safety or technical aspects on the product, please contact our sales offices or agents immediately.

产品编码和电性规格 PART NUMBER AND ELECTRICAL SPECIFICATIONS

产品编码 Part Number	容量 Cap ( $\mu$ F)	尺寸 Dimension (mm)				电压 上升 速率 du/dt (v/ $\mu$ s)	峰值 电流 I <sub>peak</sub> (A)	纹波 电流 I <sub>rms</sub> @25°C @10kHz (A)	等效 串联 电阻 ESR@ 100kHz (m $\Omega$ )	
		长度 L	圆 Round	椭圆 Oval						引线 直径 d
			直径 D	短轴 T	长轴 H					
Un 1500VDC, Urms 570VAC, Us 2250V										
PSD104*3Z472RRS1	0.1	32	14.7			0.8	1225	123	5.5	9.6
PSD154*3Z772RRS1	0.15	32	17.7			1.0	1225	184	7	7.2
PSD224*3ZB12RRS1	0.22	32	21.1			1.0	1225	270	9	5.3
PSD224*3ZK84RRS1	0.22	44	16.8			1.0	800	176	9	7.0
PSD334*3ZM24RRS1	0.33	44	20.2			1.0	800	264	9	5.3
PSD474*3ZC94RRS1	0.47	44	23.9			1.2	800	376	11	4.3
PSD684*3Z854RRS1	0.68	44	28.5			1.2	800	544	12	3.7
PSD105*3ZW44RRS1	1	44	34.4			1.2	800	800	12	3.2
PSD105*3Z86GRRS1	1	57	28.6			1.2	570	570	12	3.7
PSD125*3Z12GRRS1	1.2	57	31.2			1.2	570	684	12	3.4
PSD155*3ZW8GRRS1	1.5	57	34.8			1.2	570	855	12	2.9
PSD205*3ZR0GRRS1	2	57	40.0			1.2	570	1140	12	2.5
PSD225*3ZI9GRRS1	2.2	57	41.9			1.2	570	1254	12	2.3
PSD255*3ZX6GRRS1	2.5	57	44.6			1.2	570	1425	12	2.1
PS4104*3ZAA2RRS1	0.1	32		10.0	18.0	0.8	1225	123	5.5	9.6
PS4154*3ZAX2RRS1	0.15	32		13.0	21.0	1.0	1225	184	7	7.2
PS4224*3ZBE2RRS1	0.22	32		14.9	26.1	1.0	1225	270	9	5.3
PS4224*3ZAL4RRS1	0.22	44		12.1	20.1	1.0	800	176	9	7.0
PS4334*3ZBK4RRS1	0.33	44		15.5	23.5	1.0	800	264	9	5.3
PS4474*3ZBZ4RRS1	0.47	44		17.6	28.8	1.2	800	376	11	4.3
PS4684*3ZCU4RRS1	0.68	44		22.1	33.3	1.2	800	544	12	3.7
PS4105*3ZEJ4RRS1	1	44		27.9	39.1	1.2	800	800	12	3.2
PS4105*3ZCVGRRS1	1	57		22.2	33.4	1.2	570	570	12	3.7
PS4125*3ZDRGRRS1	1.2	57		24.8	36.0	1.2	570	684	12	3.4
PS4155*3ZEKGRRS1	1.5	57		28.3	39.5	1.2	570	855	12	2.9

规格若有任何变更将不予通知。如有产品安全或技术问题，请即与我司业务部或代理商联系。  
Specifications are subject to change without notice. For any concern on safety or technical aspects on the product, please contact our sales offices or agents immediately.

产品编码和电性规格 PART NUMBER AND ELECTRICAL SPECIFICATIONS

产品编码 Part Number	容量 Cap ( $\mu$ F)	尺寸 Dimension (mm)				电压 上升 速率 du/dt (v/ $\mu$ s)	峰值 电流 I <sub>peak</sub> (A)	纹波 电流 I <sub>rms</sub> @25°C @10kHz (A)	等效 串联 电阻 ESR@ 100kHz (m $\Omega$ )	
		长度 L	圆 Round	椭圆 Oval						引线 直径 d
			直径 D	短轴 T	长轴 H					
Un 1700VDC, Urms 575VAC, Us 2550V										
PSD683*37J32RRS1	0.068	32	13.3			0.8	1350	92	4.1	13.7
PSD104*37582RRS1	0.1	32	15.8			0.8	1350	135	5.7	9.3
PSD154*37912RRS1	0.15	32	19.1			1.0	1350	203	8	7.0
PSD224*37N82RRS1	0.22	32	22.8			1.0	1350	297	9	5.2
PSD224*37L94RRS1	0.22	44	18.1			1.0	880	194	9	6.8
PSD334*37B84RRS1	0.33	44	21.8			1.0	880	290	9	4.9
PSD474*37O84RRS1	0.47	44	25.8			1.2	880	414	12	4.0
PSD684*37P84RRS1	0.68	44	30.8			1.2	880	598	12	3.5
PSD105*37724RRS1	1	44	37.2			1.2	880	880	12	3.0
PSD105*37P9GRRS1	1	57	30.9			1.2	610	610	12	3.4
PSD125*3738GRRS1	1.2	57	33.8			1.2	610	732	12	3.1
PSD155*3776GRRS1	1.5	57	37.6			1.2	610	915	12	2.6
PSD205*37V6GRRS1	2	57	43.3			1.2	610	1220	12	2.4
PS4333*37FC2RRS1	0.033	32		5.9	12.3	0.8	1350	45	3.9	24.6
PS4473*37FK2RRS1	0.047	32		7.4	13.8	0.8	1350	63	4	18.2
PS4683*37GE2RRS1	0.068	32		8.7	16.7	0.8	1350	92	4.1	13.7
PS4104*37AG2RRS1	0.1	32		11.1	19.1	0.8	1350	135	5.7	9.3
PS4154*37AY2RRS1	0.15	32		14.3	22.3	1.0	1350	203	8	7.0
PS4224*37BY2RRS1	0.22	32		16.5	27.7	1.0	1350	297	9	5.2
PS4224*37AT4RRS1	0.22	44		13.3	21.3	1.0	880	194	9	6.8
PS4334*37BQ4RRS1	0.33	44		15.6	26.8	1.0	880	290	9	4.9
PS4474*37CK4RRS1	0.47	44		19.5	30.7	1.2	880	414	12	4.0
PS4684*37DQ4RRS1	0.68	44		24.4	35.6	1.2	880	598	12	3.5
PS4105*37EU4RRS1	1	44		30.6	41.8	1.2	880	880	12	3.0
PS4105*37DQGRRS1	1	57		24.4	35.6	1.2	610	610	12	3.4
PS4125*37EFGRRS1	1.2	57		27.2	38.4	1.2	610	732	12	3.1

Snubber

规格若有任何变更将不予通知。如有产品安全或技术问题，请即与我司业务部或代理商联系。  
Specifications are subject to change without notice. For any concern on safety or technical aspects on the product, please contact our sales offices or agents immediately.



产品编码和电性规格 PART NUMBER AND ELECTRICAL SPECIFICATIONS

产品编码 Part Number	容量 Cap ( $\mu$ F)	尺寸 Dimension (mm)				引线 直径 d	电压 上升 速率 du/dt (v/ $\mu$ s)	峰值 电流 I <sub>peak</sub> (A)	纹波 电流 I <sub>rms</sub> @25°C @10kHz (A)	等效 串联 电阻 ESR@ 100kHz (m $\Omega$ )
		长度 L	圆 Round	椭圆 Oval						
			直径 D	短轴 T	长轴 H					
Un 2000VDC, Urms 630VAC, Us 3000V										
PSD473*3DG44RRS1	0.047	44	10.4			0.8	1000	47	4	21.0
PSD683*3D502RRS1	0.068	32	15.0			1.0	1750	119	5.5	11.8
PSD683*3DH14RRS1	0.068	44	12.1			0.8	1000	68	5.5	16.3
PSD104*3D782RRS1	0.1	32	17.8			1.0	1750	175	7.5	8.4
PSD104*3D424RRS1	0.1	44	14.2			1.0	1000	100	7	12.4
PSD154*3D714RRS1	0.15	44	17.1			1.0	1000	150	9	6.6
PSD224*3DM44RRS1	0.22	44	20.4			1.0	1000	220	9	6.0
PSD334*3DD74RRS1	0.33	44	24.7			1.2	1000	330	12	4.7
PSD474*3DA94RRS1	0.47	44	29.9			1.2	1000	473	12	3.9
PSD564*3D244RRS1	0.56	44	32.4			1.2	1000	560	12	3.6
PSD564*3DF5GRRS1	0.56	57	26.5			1.2	640	358	12	4.5
PSD684*3DA1GRRS1	0.68	57	29.1			1.2	640	435	12	4.0
PSD105*3DQ1GRRS1	1	57	35.1			1.2	640	640	12	3.3
PSD125*3DH3GRRS1	1.2	57	38.3			1.2	640	768	12	3.0
PSD155*3DTHGRRS1	1.5	57	42.8			1.2	640	960	12	2.2
PS4223*3DEY2RRS1	0.022	32		5.4	11.8	0.8	1750	39	2.5	34.5
PS4333*3DFT2RRS1	0.033	32		7.0	13.4	0.8	1750	58	3.5	23.7
PS4473*3DFX2RRS1	0.047	32		8.1	16.1	0.8	1750	82	4.5	16.8
PS4473*3DFD4RRS1	0.047	44		6.4	12.8	0.8	1000	47	4	21.0
PS4683*3DAD2RRS1	0.068	32		10.3	18.3	1.0	1750	119	5.5	11.8
PS4683*3DFV4RRS1	0.068	44		8.1	14.5	0.8	1000	68	5.5	16.3
PS4104*3DAS2RRS1	0.1	32		13.1	21.1	1.0	1750	175	7.5	8.4
PS4104*3DGK4RRS1	0.1	44		9.6	17.6	1.0	1000	100	7	12.4
PS4154*3DAN4RRS1	0.15	44		12.4	20.4	1.0	1000	150	9	6.6
PS4224*3DBN4RRS1	0.22	44		15.6	23.6	1.0	1000	220	9	6.0
PS4334*3DCC4RRS1	0.33	44		18.4	29.6	1.2	1000	330	12	4.7
PS4474*3DDF4RRS1	0.47	44		23.4	34.6	1.2	1000	473	12	3.9
PS4564*3DDY4RRS1	0.56	44		25.9	37.1	1.2	1000	560	12	3.6
PS4564*3DCNGRRS1	0.56	57		20.1	31.3	1.2	640	358	12	4.5
PS4684*3DDAGRRS1	0.68	57		22.7	33.9	1.2	640	435	12	4.0
PS4105*3DENGRS1	1	57		28.6	39.8	1.2	640	640	12	3.3

规格若有任何变更将不予通知。如有产品安全或技术问题，请即与我司业务部或代理商联系。  
Specifications are subject to change without notice. For any concern on safety or technical aspects on the product, please contact our sales offices or agents immediately.

产品编码和电性规格 PART NUMBER AND ELECTRICAL SPECIFICATIONS

产品编码 Part Number	容量 Cap ( $\mu\text{F}$ )	尺寸 Dimension (mm)				电压 上升 速率 du/dt (V/ $\mu\text{s}$ )	峰值 电流 I <sub>peak</sub> (A)	纹波 电流 I <sub>rms</sub> @25°C @10kHz (A)	等效 串联 电阻 ESR@ 100kHz (m $\Omega$ )	
		长度 L	圆 Round	椭圆 Oval						引线 直径 d
			直径 D	短轴 T	长轴 H					
Un 2500VDC, Urms 700VAC, Us 3750V										
PSD473*3E502RRS1	0.047	32	15.0			0.8	2150	101	5	15.5
PSD683*3E732RRS1	0.068	32	17.3			1.0	2150	146	6.5	11.1
PSD104*3EB32RRS1	0.1	32	21.3			1.0	2150	215	8.5	7.8
PSD104*3EK94RRS1	0.1	44	16.9			1.0	1350	135	8.5	12.2
PSD154*3EM44RRS1	0.15	44	20.4			1.0	1350	203	9	8.1
PSD224*3ED44RRS1	0.22	44	24.4			1.2	1350	297	11	5.9
PSD334*3EA64RRS1	0.33	44	29.6			1.2	1350	446	12	4.5
PSD334*3ED7GRRS1	0.33	57	24.7			1.2	880	290	12	5.4
PSD474*3EA2GRRS1	0.47	57	29.2			1.2	880	414	12	4.4
PSD684*3EW9GRRS1	0.68	57	34.9			1.2	880	598	12	3.7
PSD824*3EH3GRRS1	0.82	57	38.3			1.2	880	722	12	3.3
PSD105*3ETBGRRS1	1	57	42.2			1.2	880	880	12	2.8
PS4223*3EFH2RRS1	0.022	32		6.9	13.3	0.8	2150	47	3.5	24.0
PS4333*3EFY2RRS1	0.033	32		8.2	16.2	0.8	2150	71	4	22.7
PS4473*3EAD2RRS1	0.047	32		10.3	18.3	0.8	2150	101	5	15.5
PS4683*3EAX2RRS1	0.068	32		13.0	21.0	1.0	2150	146	6.5	11.1
PS4104*3EBW2RRS1	0.1	32		15.0	26.2	1.0	2150	215	8.5	7.8
PS4104*3EAL4RRS1	0.1	44		12.1	20.1	1.0	1350	135	8.5	12.2
PS4154*3EBN4RRS1	0.15	44		15.6	23.6	1.0	1350	203	9	8.1
PS4224*3ECB4RRS1	0.22	44		18.1	29.3	1.2	1350	297	11	5.9
PS4334*3EDD4RRS1	0.33	44		23.2	34.4	1.2	1350	446	12	4.5
PS4334*3ECCGRRS1	0.33	57		18.3	29.5	1.2	880	290	12	5.4
PS4474*3EDBGRRS1	0.47	57		22.8	34.0	1.2	880	414	12	4.4
PS4684*3EELGRRS1	0.68	57		28.4	39.6	1.2	880	598	12	3.7

Snubber

规格若有任何变更将不予通知。如有产品安全或技术问题，请即与我司业务部或代理商联系。  
Specifications are subject to change without notice. For any concern on safety or technical aspects on the product, please contact our sales offices or agents immediately.

产品编码和电性规格 PART NUMBER AND ELECTRICAL SPECIFICATIONS

产品编码 Part Number	容量 Cap ( $\mu$ F)	尺寸 Dimension (mm)					电压 上升 速率 du/dt (v/ $\mu$ s)	峰值 电流 I <sub>peak</sub> (A)	纹波 电流 I <sub>rms</sub> @25°C @10kHz (A)	等效 串联 电阻 ESR@ 100kHz (m $\Omega$ )
		长度 L	圆 Round	椭圆 Oval		引线 直径 d				
			直径 D	短轴 T	长轴 H					
Un 3000VDC, Urms 750VAC, Us 5500V										
PSD223*3IJ12RRS1	0.022	32	13.1			0.8	2750	61	4	28.5
PSD333*3I572RRS1	0.033	32	15.7			1.0	2750	91	5	19.7
PSD473*3IL42RRS1	0.047	32	18.4			1.0	2750	129	6.5	13.8
PSD473*3I474RRS1	0.047	44	14.7			1.0	1600	75	6	17.8
PSD683*3I734RRS1	0.068	44	17.3			1.0	1600	109	8	12.8
PSD104*3IM74RRS1	0.1	44	20.7			1.2	1600	160	11	9.4
PSD154*3IO14RRS1	0.15	44	25.1			1.2	1600	240	12	6.8
PSD224*3IP24RRS1	0.22	44	30.2			1.2	1600	352	12	5.2
PSD224*3IO1GRRS1	0.22	57	25.1			1.2	990	218	12	5.9
PSD334*3IP5GRRS1	0.33	57	30.5			1.2	990	327	12	4.9
PSD394*3I31GRRS1	0.39	57	33.1			1.2	990	386	12	4.4
PSD474*3I63GRRS1	0.47	57	36.3			1.2	990	465	12	4.0
PSD684*3IVDGRRS1	0.68	57	43.4			1.2	990	673	12	3.5
PS4682*3IEX2RRS1	0.0068	32		5.1	9.9	0.8	2750	19	1.5	89.0
PS4103*3IFC2RRS1	0.01	32		5.9	12.3	0.8	2750	28	2	61.0
PS4153*3IFJ2RRS1	0.015	32		7.1	13.5	0.8	2750	41	3	42.5
PS4223*3IFZ2RRS1	0.022	32		8.4	16.4	0.8	2750	61	4	28.5
PS4333*3IAB2RRS1	0.033	32		11.0	19.0	1.0	2750	91	5	19.7
PS4473*3IAV2RRS1	0.047	32		13.7	21.7	1.0	2750	129	6.5	13.8
PS4473*3IAA4RRS1	0.047	44		10.0	18.0	1.0	1600	75	6	17.8
PS4683*3IAQ4RRS1	0.068	44		12.6	20.6	1.0	1600	109	8	12.8
PS4104*3IBA4RRS1	0.1	44		14.5	25.7	1.2	1600	160	11	9.4
PS4154*3ICH4RRS1	0.15	44		18.8	30.0	1.2	1600	240	12	6.8
PS4224*3IDK4RRS1	0.22	44		23.7	34.9	1.2	1600	352	12	5.2
PS4224*3ICHGRRS1	0.22	57		18.8	30.0	1.2	990	218	12	5.9
PS4334*3IDNGRRS1	0.33	57		24.1	35.3	1.2	990	327	12	4.9
PS4394*3IECGRRS1	0.39	57		26.6	37.8	1.2	990	386	12	4.4

备注： 产品编码的第7位的“\*”是代表可选容差为J=  $\pm$ 5%或K=  $\pm$ 10%。

Remark : The "\*" in 7th digit is used for the capacitance tolerance, J=  $\pm$ 5% or K=  $\pm$ 10%.

规格若有任何变更将不予通知。如有产品安全或技术问题，请即与我司业务部或代理商联系。  
Specifications are subject to change without notice. For any concern on safety or technical aspects on the product, please contact our sales offices or agents immediately.

# PSC 系列 Series

## IGBT 吸收电容器 IGBT Snubber

### 基本技术特点 GENERAL TECHNICAL CHARACTERISTICS

引用标准 Reference Standards	IEC 61071-60068
绝缘介质 Dielectric	聚丙烯薄膜 Polypropylene film
结构 Construction	乾式结构 Dry construction
封装 Coating	UL94V-0 阻燃防火聚酯塑胶外壳, 环氧树脂灌封 Polyester can, UL94V-0 resin end fill
引线 Leads	镀锡铜线 2, 4, 6 脚 Tinned copper wire, 2 leads, 4 leads, 6 leads

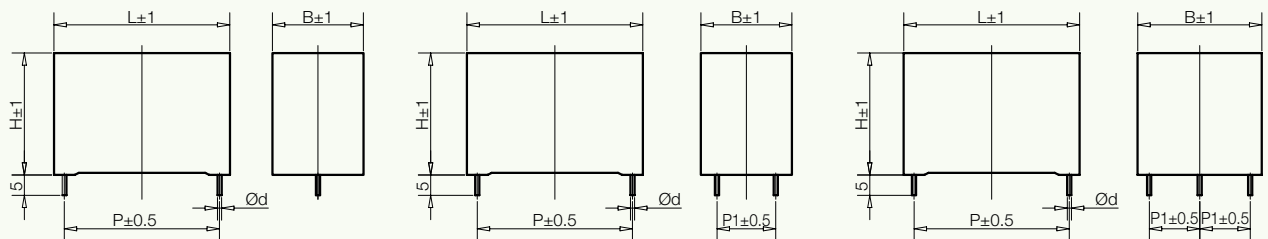


### 技术规格 ELECTRICAL CHARACTERISTICS

工作温度 Operating Temperature	-40 to +85°C (外壳 case)
电容量 Capacitance	0.01 to 5.6μF
额定电压 Rated Voltage	700 to 3000VDC
容差 Tolerance	±5% or ±10%
损耗因数 Dissipation Factor	≤6 × 10 <sup>-4</sup> 在1000±20Hz和25±5°C测定 ≤6 × 10 <sup>-4</sup> measured at 1000±20Hz and 25±5°C
预期寿命 Life Expectancy	在额定电压和 70°C (热点温度) 的条件下可达100,000小时 100,000 hours at Un and 70°C (Hot-spot temperature)

### 测试 TEST METHODS AND PERFORMANCE

极间耐电压 Voltage withstand between terminals	在1.5倍额定电压Un下持续10秒 (25±5°C) 1.5Un (DC) applied for 10 sec at 25±5°C
极壳之间耐电压 Test Voltage Terminal to Case	3kVAC/50Hz 持续60秒 3kVAC/50Hz for 60 sec
自放电时间常数 Self discharge time constant	≥30,000 秒不超过30GΩ (典型值), 电容器充电1分钟后增加100VDC (25±5°C) ≥30,000 sec but need not exceed 30GΩ (typical value), after 1 minute of electrification at 100VDC (25±5°C)



规格若有任何变更将不予通知。如有产品安全或技术问题, 请与我司业务部或代理商联系。  
Specifications are subject to change without notice. For any concern on safety or technical aspects on the product, please contact our sales offices or agents immediately.

产品编码和电性规格 PART NUMBER AND ELECTRICAL SPECIFICATIONS

产品编码 Part Number	容量 Cap ( $\mu$ F)	尺寸 Dimension (mm)						电压 上升 速率 du/dt (v/ $\mu$ s)	峰值 电流 Ipeak (A)	纹波 电流 Irms @25°C @10kHz (A)	等效 串联 电阻 ESR@ 100kHz (m $\Omega$ )
		长度 L	宽度 B	高度 H	极距 P	引脚 距离 P1	引线 直径 d				
Un 700VDC, Urms 380VAC, Us 1050V											
PSC224*2SM20**SA	0.22	31.0	11	20	27.5		1.0	485	107	6.5	10.1
PSC334*2SR22**SA	0.33	31.0	13	22	27.5		1.0	485	160	8.5	7.5
PSC474*2SK22**SA	0.47	31.0	15	24.5	27.5		1.0	485	228	9	4.6
PSC684*2SV28**SA	0.68	31.0	17	28	27.5		1.2	485	330	12	3.7
PSC684*2SV28**SA	0.68	31.0	17	28	27.5	5.1	1.2	485	330	16	3.1
PSC824*2SV28**SA	0.82	31.0	17	28	27.5	10.2	1.2	485	398	12	3.2
PSC824*2SA26**SA	0.82	42.5	15	26	37.5		1.2	325	267	12	3.4
PSC105*2SB31**SA	1	31.0	22	31	27.5		1.2	485	485	12	3.2
PSC105*2SB31**SA	1	31.0	22	31	27.5	10.2	1.2	485	485	19	2.6
PSC105*2SB28**SA	1	42.5	17	28	37.5		1.2	325	325	12	3.3
PSC155*2SC30**SA	1.5	42.5	22	30	37.5		1.2	325	488	12	3.2
PSC155*2SC30**SA	1.5	42.5	22	30	37.5	10.2	1.2	325	488	19	3.4
PSC205*2SE37**SA	2	42.5	28	37	37.5		1.2	325	650	12	3.0
PSC205*2SE37**SA	2	42.5	28	37	37.5	10.2	1.2	325	650	22	2.9
PSC225*2SE37**SA	2.2	42.5	28	37	37.5		1.2	325	715	12	2.8
PSC225*2SE37**SA	2.2	42.5	28	37	37.5	20.3	1.2	325	715	22	2.5
PSC305*2SF45**SA	3	42.5	30	45	37.5		1.2	325	975	12	2.6
PSC305*2SF45**SA	3	42.5	30	45	37.5	20.3	1.2	325	975	22	2.4
PSC305*2SF45**SA	3	42.5	30	45	37.5	10.2	1.2	325	975	27	2.2
PSC335*2SF45**SA	3.3	42.5	30	45	37.5		1.2	325	1073	12	2.5
PSC335*2SF45**SA	3.3	42.5	30	45	37.5	20.3	1.2	325	1073	22	2.4
PSC335*2SF45**SA	3.3	42.5	30	45	37.5	10.2	1.2	325	1073	27	2.1
PSC405*2SH45**SA	4	42.5	33	45	37.5		1.2	325	1300	13	2.1
PSC405*2SH45**SA	4	42.5	33	45	37.5	20.3	1.2	325	1300	23	2.0
PSC405*2SH45**SA	4	42.5	33	45	37.5	10.2	1.2	325	1300	28	1.9
PSC405*2SS45**SA	4	57.5	30	45	52.5		1.2	200	800	12	3.0
PSC405*2SS45**SA	4	57.5	30	45	52.5	20.3	1.2	200	800	22	2.4
PSC405*2SS45**SA	4	57.5	30	45	52.5	10.2	1.2	200	800	27	2.4
PSC475*2SS45**SA	4.7	57.5	30	45	52.5		1.2	200	940	12	3.0
PSC475*2SS45**SA	4.7	57.5	30	45	52.5	20.3	1.2	200	940	22	2.8
PSC475*2SS45**SA	4.7	57.5	30	45	52.5	10.2	1.2	200	940	31	2.6
PSC505*2SS45**SA	5	57.5	30	45	52.5		1.2	200	1000	12	2.9
PSC505*2SS45**SA	5	57.5	30	45	52.5	20.3	1.2	200	1000	22	2.7
PSC505*2SS45**SA	5	57.5	30	45	52.5	10.2	1.2	200	1000	31	2.6
PSC565*2ST50**SA	5.6	57.5	35	50	52.5		1.2	200	1120	12	2.7
PSC565*2ST50**SA	5.6	57.5	35	50	52.5	20.3	1.2	200	1120	22	2.5
PSC565*2ST50**SA	5.6	57.5	35	50	52.5	10.2	1.2	200	1120	31	2.4

Snubber

规格若有任何变更将不予通知。如有产品安全或技术问题，请即与我司业务部或代理商联系。  
Specifications are subject to change without notice. For any concern on safety or technical aspects on the product, please contact our sales offices or agents immediately.

产品编码和电性规格 PART NUMBER AND ELECTRICAL SPECIFICATIONS

产品编码 Part Number	容量 Cap ( $\mu$ F)	尺寸 Dimension (mm)						电压 上升 速率 du/dt (v/ $\mu$ s)	峰值 电流 I <sub>peak</sub> (A)	纹波 电流 I <sub>rms</sub> @25°C @10kHz (A)	等效 串联 电阻 ESR@ 100kHz (m $\Omega$ )
		长度 L	宽度 B	高度 H	极距 P	引脚 距离 P1	引线 直径 d				
Un 850VDC, Urms 450VAC, Us 1275V											
PSC683*2R617**SA	0.068	26.5	8.5	17	22.5		0.8	850	58	3.5	13.9
PSC104*2R11H**SA	0.1	26.5	10	18.5	22.5		0.8	850	85	4.5	10.4
PSC154*2RN20**SA	0.15	26.5	11	20	22.5		0.8	850	128	6.5	7.5
PSC154*2RM20**SA	0.15	31.0	11	20	27.5		0.8	700	105	6.5	8.6
PSC224*2RR22**SA	0.22	31.0	13	22	27.5		1.0	700	154	8	6.4
PSC334*2RK2D**SA	0.33	31.0	15	24.5	27.5		1.0	700	231	9	4.8
PSC474*2RL33**SA	0.47	31.0	18	33	27.5		1.2	700	329	12	3.9
PSC474*2RL33**SA	0.47	31.0	18	33	27.5	10.2	1.2	700	329	16	3.3
PSC564*2RL33**SA	0.56	31.0	18	33	27.5		1.2	700	392	18	3.1
PSC564*2RL33**SA	0.56	31.0	18	33	27.5	10.2	1.2	700	392	12	3.7
PSC564*2RA26**SA	0.56	42.5	15	26	37.5		1.2	400	224	12	3.8
PSC684*2RB31**SA	0.68	31.0	22	31	27.5		1.2	700	476	12	3.3
PSC684*2RB31**SA	0.68	31.0	22	31	27.5	10.2	1.2	700	476	19	2.8
PSC684*2RB28**SA	0.68	42.5	17	28	37.5		1.2	400	272	12	3.6
PSC105*2RC30**SA	1	42.5	22	30	37.5		1.2	400	400	12	3.3
PSC105*2RC30**SA	1	42.5	22	30	37.5	10.2	1.2	400	400	21	2.7
PSC155*2RE37**SA	1.5	42.5	28	37	37.5		1.2	400	600	12	2.8
PSC155*2RE37**SA	1.5	42.5	28	37	37.5	20.3	1.2	400	600	22	2.2
PSC205*2RF45**SA	2	42.5	30	45	37.5		1.2	400	800	12	2.5
PSC205*2RF45**SA	2	42.5	30	45	37.5	20.3	1.2	400	800	22	1.9
PSC205*2RF45**SA	2	42.5	30	45	37.5	10.2	1.2	400	800	26	1.9
PSC225*2RF45**SA	2.2	42.5	30	45	37.5		1.2	400	880	12	2.5
PSC225*2RF45**SA	2.2	42.5	30	45	37.5	20.3	1.2	400	880	22	1.9
PSC225*2RF45**SA	2.2	42.5	30	45	37.5	10.2	1.2	400	880	27	1.9
PSC255*2RS45**SA	2.5	57.5	30	45	52.5		1.2	275	688	12	2.9
PSC255*2RS45**SA	2.5	57.5	30	45	52.5	20.3	1.2	275	688	22	2.3
PSC255*2RS45**SA	2.5	57.5	30	45	52.5	10.2	1.2	275	688	27	2.3
PSC305*2RS45**SA	3	57.5	30	45	52.5		1.2	275	825	12	2.7
PSC305*2RS45**SA	3	57.5	30	45	52.5	20.3	1.2	275	825	22	2.1
PSC305*2RS45**SA	3	57.5	30	45	52.5	10.2	1.2	275	825	27	2.1
PSC335*2RS45**SA	3.3	57.5	30	45	52.5		1.2	275	908	12	2.7
PSC335*2RS45**SA	3.3	57.5	30	45	52.5	20.3	1.2	275	908	22	2.1
PSC335*2RS45**SA	3.3	57.5	30	45	52.5	10.2	1.2	275	908	29	2.1
PSC405*2RT50**SA	4	57.5	35	50	52.5		1.2	275	1100	12	2.5
PSC405*2RT50**SA	4	57.5	35	50	52.5	20.3	1.2	275	1100	22	1.9
PSC405*2RT50**SA	4	57.5	35	50	52.5	10.2	1.2	275	1100	28	1.8
PSC475*2RT50**SA	4.7	57.5	35	50	52.5		1.2	275	1293	12	2.3
PSC475*2RT50**SA	4.7	57.5	35	50	52.5	20.3	1.2	275	1293	22	1.8
PSC475*2RT50**SA	4.7	57.5	35	50	52.5	10.2	1.2	275	1293	30	1.5

规格若有任何变更将不予通知。如有产品安全或技术问题，请与我司业务部或代理商联系。  
Specifications are subject to change without notice. For any concern on safety or technical aspects on the product, please contact our sales offices or agents immediately.

产品编码和电性规格 PART NUMBER AND ELECTRICAL SPECIFICATIONS

产品编码 Part Number	容量 Cap ( $\mu$ F)	尺寸 Dimension (mm)						电压 上升 速率 du/dt (v/ $\mu$ s)	峰值 电流 Ipeak (A)	纹波 电流 Irms @25°C @10kHz (A)	等效 串联 电阻 ESR@ 100kHz (m $\Omega$ )
		长度 L	宽度 B	高度 H	极距 P	引脚 距离 P1	引线 直径 d				
Un 1000VDC, Urms 480VAC, Us 1500V											
PSC473*3AJ16**SA	0.047	26.5	7	16	22.5		0.8	1000	47	3	18.0
PSC683*3A617**SA	0.068	26.5	8.5	17	22.5		0.8	1000	68	2.3	13.5
PSC104*3AN20**SA	0.1	26.5	11	20	22.5		0.8	1000	100	5	9.9
PSC104*3AQ18**SA	0.1	31.0	9	18	27.5		0.8	850	85	5	11.0
PSC154*3AW22**SA	0.15	26.5	12	22	22.5		0.8	1000	150	6.5	7.3
PSC154*3AM20**SA	0.15	31.0	11	20	27.5		0.8	850	128	6.5	8.2
PSC224*3AK2D**SA	0.22	31.0	15	24.5	27.5		1.0	850	187	9	6.5
PSC334*3AV28**SA	0.33	31.0	17	28	27.5		1.0	850	281	9	5.5
PSC474*3AL33**SA	0.47	31.0	18	33	27.5		1.2	850	400	12	3.7
PSC474*3AL33**SA	0.47	31.0	18	33	27.5	10.2	1.2	850	400	16	3.1
PSC474*3AB28**SA	0.47	42.5	17	28	37.5		1.2	570	268	12	4.6
PSC564*3AB28**SA	0.56	42.5	17	28	37.5		1.2	570	319	12	4.2
PSC684*3AC30**SA	0.68	42.5	22	30	37.5		1.2	570	388	12	3.9
PSC684*3AC30**SA	0.68	42.5	22	30	37.5	10.2	1.2	570	388	19	3.3
PSC824*3AC30**SA	0.82	42.5	22	30	37.5		1.2	570	467	12	3.6
PSC824*3AC30**SA	0.82	42.5	22	30	37.5	10.2	1.2	570	467	22	3.2
PSC105*3AE37**SA	1	42.5	28	37	37.5		1.2	570	570	12	3.4
PSC105*3AE37**SA	1	42.5	28	37	37.5	10.2	1.2	570	570	22	2.7
PSC125*3AE37**SA	1.2	42.5	28	37	37.5		1.2	570	684	12	3.3
PSC125*3AE37**SA	1.2	42.5	28	37	37.5	10.2	1.2	570	684	22	2.9
PSC155*3AF45**SA	1.5	42.5	30	45	37.5		1.2	570	855	12	2.9
PSC155*3AF45**SA	1.5	42.5	30	45	37.5	20.3	1.2	570	855	22	2.2
PSC155*3AF45**SA	1.5	42.5	30	45	37.5	10.2	1.2	570	855	22.5	2.2
PSC205*3AH45**SA	2	42.5	33	45	37.5		1.2	570	1140	11	3.1
PSC205*3AH45**SA	2	42.5	33	45	37.5	20.3	1.2	570	1140	21	2.7
PSC205*3AH45**SA	2	42.5	33	45	37.5	10.2	1.2	570	1140	26	2.5
PSC205*3AS45**SA	2	57.5	30	45	52.5		1.2	320	640	12	3.0
PSC205*3AS45**SA	2	57.5	30	45	52.5	20.3	1.2	320	640	22	2.6
PSC205*3AS45**SA	2	57.5	30	45	52.5	10.2	1.2	320	640	27	2.6
PSC225*3AS45**SA	2.2	57.5	30	45	52.5		1.2	320	704	12	2.6
PSC225*3AS45**SA	2.2	57.5	30	45	52.5	20.3	1.2	320	704	22	3.1
PSC225*3AS45**SA	2.2	57.5	30	45	52.5	10.2	1.2	320	704	26	2.5
PSC305*3AT50**SA	3	57.5	35	50	52.5		1.2	320	960	12	2.7
PSC305*3AT50**SA	3	57.5	35	50	52.5	20.3	1.2	320	960	22	2.2
PSC305*3AT50**SA	3	57.5	35	50	52.5	10.2	1.2	320	960	29	2.2
PSC335*3AT50**SA	3.3	57.5	35	50	52.5		1.2	320	1056	12	2.6
PSC335*3AT50**SA	3.3	57.5	35	50	52.5	20.3	1.2	320	1056	22	2.0
PSC335*3AT50**SA	3.3	57.5	35	50	52.5	10.2	1.2	320	1056	30	2.0

Snubber

规格若有任何变更将不予通知。如有产品安全或技术问题，请即与我司业务部或代理商联系。  
Specifications are subject to change without notice. For any concern on safety or technical aspects on the product, please contact our sales offices or agents immediately.



产品编码和电性规格 PART NUMBER AND ELECTRICAL SPECIFICATIONS

产品编码 Part Number	容量 Cap ( $\mu$ F)	尺寸 Dimension (mm)						电压 上升 速率 du/dt (v/ $\mu$ s)	峰值 电流 I <sub>peak</sub> (A)	纹波 电流 I <sub>rms</sub> @25°C @10kHz (A)	等效 串联 电阻 ESR@ 100kHz (m $\Omega$ )
		长度 L	宽度 B	高度 H	极距 P	引脚 距离 P1	引线 直径 d				
Un 1200VDC, Urms 500VAC, Us 1800V											
PSC333*30J16**SA	0.033	26.5	7	16	22.5		0.8	1300	43	3	22.0
PSC473*30E17**SA	0.047	26.5	8.5	17	22.5		0.8	1300	61	3.5	16.0
PSC683*30I1H**SA	0.068	26.5	10	18.5	22.5		0.8	1300	88	4	13.0
PSC683*30Q18**SA	0.068	31.0	9	18	27.5		0.8	1100	75	4	14.0
PSC104*30W22**SA	0.1	26.5	12	22	22.5		0.8	1300	130	5.5	9.7
PSC104*30M20**SA	0.1	31.0	11	20	27.5		0.8	1100	110	5.5	10.5
PSC154*30R22**SA	0.15	31.0	13	22	27.5		1.0	1100	165	7	7.6
PSC224*30K2D**SA	0.22	31.0	15	24.5	27.5		1.0	1100	242	9	5.5
PSC334*30L33**SA	0.33	31.0	18	33	27.5		1.2	1100	363	12	4.3
PSC334*30L33**SA	0.33	31.0	18	33	27.5	10.2	1.2	1100	363	15.5	3.7
PSC334*30A26**SA	0.33	42.5	15	26	37.5		1.2	650	215	12	5.5
PSC474*30B31**SA	0.47	31.0	22	31	27.5		1.2	1100	517	12	3.4
PSC474*30B31**SA	0.47	31.0	22	31	27.5	10.2	1.2	1100	517	19	2.8
PSC474*30B28**SA	0.47	42.5	17	28	37.5		1.2	650	306	12	4.8
PSC684*30C30**SA	0.68	42.5	22	30	37.5		1.2	650	442	12	3.9
PSC684*30C30**SA	0.68	42.5	22	30	37.5	10.2	1.2	650	442	20	3.4
PSC105*30E37**SA	1	42.5	28	37	37.5		1.2	650	650	12	3.4
PSC105*30E37**SA	1	42.5	28	37	37.5	20.3	1.2	650	650	21	2.8
PSC125*30E37**SA	1.2	42.5	28	37	37.5		1.2	650	780	12	3.4
PSC125*30E37**SA	1.2	42.5	28	37	37.5	20.3	1.2	650	780	22	2.5
PSC155*30F45**SA	1.5	42.5	30	45	37.5		1.2	650	975	12	2.8
PSC155*30F45**SA	1.5	42.5	30	45	37.5	20.3	1.2	650	975	22	2.1
PSC155*30F45**SA	1.5	42.5	30	45	37.5	10.2	1.2	650	975	27	2.1
PSC205*30S45**SA	2	57.5	30	45	52.5		1.2	350	700	12	3.0
PSC205*30S45**SA	2	57.5	30	45	52.5	20.3	1.2	350	700	22	2.4
PSC205*30S45**SA	2	57.5	30	45	52.5	10.2	1.2	350	700	27	2.4
PSC225*30S50**SA	2.2	57.5	30	50	52.5		1.2	350	770	12	2.9
PSC225*30S50**SA	2.2	57.5	30	50	52.5	20.3	1.2	350	770	22	2.3
PSC225*30S50**SA	2.2	57.5	30	50	52.5	10.2	1.2	350	770	30	2.3
PSC255*30T50**SA	2.5	57.5	35	50	52.5		1.2	350	875	12	2.7
PSC255*30T50**SA	2.5	57.5	35	50	52.5	20.3	1.2	350	875	22	2.1
PSC255*30T50**SA	2.5	57.5	35	50	52.5	10.2	1.2	350	875	30	2.1
PSC305*30T50**SA	3	57.5	35	50	52.5		1.2	350	1050	12	2.3
PSC305*30T50**SA	3	57.5	35	50	52.5	20.3	1.2	350	1050	22	2.0
PSC305*30T50**SA	3	57.5	35	50	52.5	10.2	1.2	350	1050	29	2.0

Snubber

规格若有任何变更将不予通知。如有产品安全或技术问题，请与我司业务部或代理商联系。  
Specifications are subject to change without notice. For any concern on safety or technical aspects on the product, please contact our sales offices or agents immediately.

产品编码和电性规格 PART NUMBER AND ELECTRICAL SPECIFICATIONS

产品编码 Part Number	容量 Cap ( $\mu$ F)	尺寸 Dimension (mm)						电压 上升 速率 du/dt (v/ $\mu$ s)	峰值 电流 I <sub>peak</sub> (A)	纹波 电流 I <sub>rms</sub> @25°C @10kHz (A)	等效 串联 电阻 ESR@ 100kHz (m $\Omega$ )
		长度 L	宽度 B	高度 H	极距 P	引脚 距离 P1	引线 直径 d				
Un 1500VDC, Urms 570VAC, Us 2250V											
PSC223*3ZJ16**SA	0.022	26.5	7	16	22.5		0.8	1500	33	2.5	29.5
PSC333*3Z617**SA	0.033	26.5	8.5	17	22.5		0.8	1500	50	3	22.0
PSC473*3ZI1H**SA	0.047	26.5	10	18.5	22.5		0.8	1500	71	3.5	16.5
PSC473*3ZQ18**SA	0.047	31.0	9	18	27.5		0.8	1225	58	3.5	18.2
PSC683*3ZW22**SA	0.068	26.5	12	22	22.5		0.8	1500	102	5	12.3
PSC683*3ZM20**SA	0.068	31.0	11	20	27.5		0.8	1225	83	5	13.8
PSC104*3ZR22**SA	0.1	31.0	13	22	27.5		0.8	1225	123	6.5	9.5
PSC154*3ZV28**SA	0.15	31.0	17	28	27.5		1.0	1225	184	8	7.1
PSC224*3ZL33**SA	0.22	31.0	18	33	27.5		1.2	1225	270	12	5.1
PSC224*3ZB28**SA	0.22	42.5	17	28	37.5		1.2	800	176	12	6.8
PSC334*3ZC30**SA	0.33	42.5	22	30	37.5		1.2	800	264	12	4.1
PSC334*3ZC30**SA	0.33	42.5	22	30	37.5	10.2	1.2	800	264	18	3.3
PSC394*3ZC30**SA	0.39	42.5	22	30	37.5		1.2	800	312	12	4.0
PSC394*3ZC30**SA	0.39	42.5	22	30	37.5	10.2	1.2	800	312	18	3.1
PSC474*3ZE37**SA	0.47	42.5	28	37	37.5		1.2	800	376	12	4.4
PSC474*3ZE37**SA	0.47	42.5	28	37	37.5	10.2	1.2	800	376	22	3.8
PSC684*3ZE37**SA	0.68	42.5	28	37	37.5		1.2	800	544	12	3.8
PSC684*3ZE37**SA	0.68	42.5	28	37	37.5	10.2	1.2	800	544	22	3.2
PSC105*3ZF45**SA	1	42.5	30	45	37.5		1.2	800	800	12	3.2
PSC105*3ZF45**SA	1	42.5	30	45	37.5	20.3	1.2	800	800	22	2.6
PSC125*3ZS45**SA	1.2	57.5	30	45	52.5		1.2	500	600	12	3.5
PSC125*3ZS45**SA	1.2	57.5	30	45	52.5	20.3	1.2	500	600	22	2.9
PSC125*3ZS45**SA	1.2	57.5	30	45	52.5	10.2	1.2	500	600	27	2.9
PSC155*3ZT50**SA	1.5	57.5	35	50	52.5		1.2	500	750	12	3.2
PSC155*3ZT50**SA	1.5	57.5	35	50	52.5	20.3	1.2	500	750	22	2.6
PSC155*3ZT50**SA	1.5	57.5	35	50	52.5	10.2	1.2	500	750	27	2.6
PSC185*3ZT50**SA	1.8	57.5	35	50	52.5		1.2	500	900	12	3.0
PSC185*3ZT50**SA	1.8	57.5	35	50	52.5	20.3	1.2	500	900	22	2.4
PSC185*3ZT50**SA	1.8	57.5	35	50	52.5	10.2	1.2	500	900	30	2.4

Snubber

规格若有任何变更将不予通知。如有产品安全或技术问题，请即与我司业务部或代理商联系。  
Specifications are subject to change without notice. For any concern on safety or technical aspects on the product, please contact our sales offices or agents immediately.

产品编码和电性规格 PART NUMBER AND ELECTRICAL SPECIFICATIONS

产品编码 Part Number	容量 Cap ( $\mu$ F)	尺寸 Dimension (mm)						电压 上升 速率 du/dt (v/ $\mu$ s)	峰值 电流 I <sub>peak</sub> (A)	纹波 电流 I <sub>rms</sub> @25°C @10kHz (A)	等效 串联 电阻 ESR@ 100kHz (m $\Omega$ )
		长度 L	宽度 B	高度 H	极距 P	引脚 距离 P1	引线 直径 d				
Un 2000VDC, Urms 630VAC, Us 3000V											
PSC153*3DJ16**SA	0.015	26.5	7	16	22.5		0.8	2150	32	2	37.5
PSC223*3D617**SA	0.022	26.5	8.5	17	22.5		0.8	2150	47	2.5	27.0
PSC333*3DN20**SA	0.033	26.5	11	20	22.5		0.8	2150	71	3.5	21.0
PSC333*3DM20**SA	0.033	31.0	11	20	27.5		0.8	1750	58	4	23.7
PSC473*3DW22**SA	0.047	26.5	12	22	22.5		0.8	2150	101	4.5	14.8
PSC473*3DM20**SA	0.047	31.0	11	20	27.5		0.8	1750	82	4.5	16.8
PSC683*3DR22**SA	0.068	31.0	13	22	27.5		0.8	1750	119	5.5	12.1
PSC104*3DV28**SA	0.1	31.0	17	28	27.5		1.0	1750	175	8	8.4
PSC154*3DL33**SA	0.15	31.0	18	33	27.5		1.2	1750	263	11	6.5
PSC154*3DL33**SA	0.15	31.0	18	33	27.5	10.2	1.2	1750	263	12	5.9
PSC154*3DA26**SA	0.15	42.5	15	26	37.5		1.2	1000	150	9	8.0
PSC224*3DC30**SA	0.22	42.5	22	30	37.5		1.2	1000	220	12	5.2
PSC334*3DE37**SA	0.33	42.5	28	37	37.5		1.2	1000	330	12	4.7
PSC334*3DE37**SA	0.33	42.5	28	37	37.5	10.2	1.2	1000	330	18	3.1
PSC394*3DE37**SA	0.39	42.5	28	37	37.5		1.2	1000	390	12	4.7
PSC394*3DE37**SA	0.39	42.5	28	37	37.5	20.3	1.2	1000	390	19	3.0
PSC474*3DE37**SA	0.47	42.5	28	37	37.5		1.2	1000	470	12	4.0
PSC474*3DE37**SA	0.47	42.5	28	37	37.5	20.3	1.2	1000	470	22	3.4
PSC564*3DF45**SA	0.56	42.5	30	45	37.5		1.2	1000	560	12	3.7
PSC564*3DF45**SA	0.56	42.5	30	45	37.5	20.3	1.2	1000	560	22	3.1
PSC564*3DH45**SA	0.56	42.5	33	45	37.5	10.2	1.2	1000	560	27	3.1
PSC684*3DH45**SA	0.68	42.5	33	45	37.5		1.2	1000	680	12	3.7
PSC684*3DH45**SA	0.68	42.5	33	45	37.5	20.3	1.2	1000	680	22	3.1
PSC684*3DH45**SA	0.68	42.5	33	45	37.5	10.2	1.2	1000	680	28	3.0
PSC684*3DS45**SA	0.68	57.5	30	45	52.5		1.2	580	394	12	4.3
PSC684*3DS45**SA	0.68	57.5	30	45	52.5	20.3	1.2	580	394	22	3.6
PSC684*3DS45**SA	0.68	57.5	30	45	52.5	10.2	1.2	580	394	27	3.6
PSC824*3DS45**SA	0.82	57.5	30	45	52.5		1.2	580	476	12	3.9
PSC824*3DS45**SA	0.82	57.5	30	45	52.5	20.3	1.2	580	476	22	3.2
PSC824*3DS45**SA	0.82	57.5	30	45	52.5	10.2	1.2	580	476	24	3.1
PSC105*3DT50**SA	1	57.5	35	50	52.5		1.2	580	580	12	3.6
PSC105*3DT50**SA	1	57.5	35	50	52.5	20.3	1.2	580	580	22	2.9
PSC105*3DT50**SA	1	57.5	35	50	52.5	10.2	1.2	580	580	29	2.9
PSC125*3DT50**SA	1.2	57.5	35	50	52.5		1.2	580	696	12	3.2
PSC125*3DT50**SA	1.2	57.5	35	50	52.5	20.3	1.2	580	696	22	2.5
PSC125*3DT50**SA	1.2	57.5	35	50	52.5	10.2	1.2	580	696	29	2.5

规格若有任何变更将不予通知。如有产品安全或技术问题，请与我司业务部或代理商联系。  
Specifications are subject to change without notice. For any concern on safety or technical aspects on the product, please contact our sales offices or agents immediately.

产品编码和电性规格 PART NUMBER AND ELECTRICAL SPECIFICATIONS

产品编码 Part Number	容量 Cap ( $\mu$ F)	尺寸 Dimension (mm)						电压 上升 速率 du/dt (v/ $\mu$ s)	峰值 电流 I <sub>peak</sub> (A)	纹波 电流 I <sub>rms</sub> @25°C @10kHz (A)	等效 串联 电阻 ESR@ 100kHz (m $\Omega$ )
		长度 L	宽度 B	高度 H	极距 P	引脚 距离 P1	引线 直径 d				
Un 2500VDC, Urms 700VAC, Us 3750V											
PSC103*3E617**SA	0.01	26.5	8.5	17	22.5		0.8	2650	27	2	51.0
PSC153*3E11H**SA	0.015	26.5	10	18.5	22.5		0.8	2650	40	2.5	36.0
PSC223*3EW22**SA	0.022	26.5	12	22	22.5		0.8	2650	58	3	26.5
PSC223*3EM20**SA	0.022	31.0	11	20	27.5		0.8	2150	47	3	30.5
PSC333*3EM20**SA	0.033	31.0	11	20	27.5		0.8	2150	71	4	22.5
PSC473*3ER22**SA	0.047	31.0	13	22	27.5		0.8	2150	101	5.5	16.0
PSC683*3EV28**SA	0.068	31.0	17	28	27.5		1.0	2150	146	8	11.3
PSC104*3EL33**SA	0.1	31.0	18	33	27.5		1.2	2150	215	10	7.6
PSC104*3EL33**SA	0.1	31.0	18	33	27.5	10.2	1.2	2150	215	11.5	7.0
PSC104*3EA26**SA	0.1	42.5	15	26	37.5		1.2	1350	135	8.5	11.8
PSC154*3EC30**SA	0.15	42.5	22	30	37.5		1.2	1350	203	11	7.7
PSC154*3EC30**SA	0.15	42.5	22	30	37.5	10.2	1.2	1350	203	15	6.5
PSC224*3EE37**SA	0.22	42.5	28	37	37.5		1.2	1350	297	12	5.8
PSC224*3EE37**SA	0.22	42.5	28	37	37.5	10.2	1.2	1350	297	22	5.2
PSC334*3EE37**SA	0.33	42.5	28	37	37.5		1.2	1350	446	12	4.3
PSC334*3EE37**SA	0.33	42.5	28	37	37.5	20.3	1.2	1350	446	20	3.9
PSC394*3EF45**SA	0.39	42.5	30	45	37.5		1.2	1350	527	12	4.3
PSC394*3EF45**SA	0.39	42.5	30	45	37.5	20.3	1.2	1350	527	20	3.6
PSC394*3EH45**SA	0.39	42.5	33	45	37.5	10.2	1.2	1350	527	25	3.6
PSC474*3EH45**SA	0.47	42.5	33	45	37.5	10.2	1.2	1350	635	25	3.5
PSC474*3ES45**SA	0.47	57.5	30	45	52.5		1.2	750	353	12	4.6
PSC474*3ES45**SA	0.47	57.5	30	45	52.5	20.3	1.2	750	353	22	3.9
PSC564*3ES45**SA	0.56	57.5	30	45	52.5		1.2	750	420	12	4.3
PSC564*3ES45**SA	0.56	57.5	30	45	52.5	20.3	1.2	750	420	22	3.6
PSC564*3ES45**SA	0.56	57.5	30	45	52.5	10.2	1.2	750	420	25	3.6
PSC684*3ET50**SA	0.68	57.5	35	50	52.5		1.2	750	510	12	4.0
PSC684*3ET50**SA	0.68	57.5	35	50	52.5	20.3	1.2	750	510	22	3.3
PSC684*3ET50**SA	0.68	57.5	35	50	52.5	10.2	1.2	750	510	25	3.3
PSC824*3ET50**SA	0.82	57.5	35	50	52.5		1.2	750	615	12	3.7
PSC824*3ET50**SA	0.82	57.5	35	50	52.5	20.3	1.2	750	615	22	2.9
PSC824*3ET50**SA	0.82	57.5	35	50	52.5	10.2	1.2	750	615	26	2.6

规格若有任何变更将不予通知。如有产品安全或技术问题，请即与我司业务部或代理商联系。  
Specifications are subject to change without notice. For any concern on safety or technical aspects on the product, please contact our sales offices or agents immediately.

产品编码和电性规格 PART NUMBER AND ELECTRICAL SPECIFICATIONS

产品编码 Part Number	容量 Cap ( $\mu$ F)	尺寸 Dimension (mm)						电压 上升 速率 du/dt (v/ $\mu$ s)	峰值 电流 I <sub>peak</sub> (A)	纹波 电流 I <sub>rms</sub> @25°C @10kHz (A)	等效 串联 电阻 ESR@ 100kHz (m $\Omega$ )
		长度 L	宽度 B	高度 H	极距 P	引脚 距离 P1	引线 直径 d				
Un 3000VDC, Urms 750VAC, Us 4500V											
PSC103*3I617**SA	0.01	26.5	8.5	17	22.5		0.8	3400	23	2	64.0
PSC103*3IN20**SA	0.01	26.5	11	20	22.5		0.8	3400	34	2.5	45.6
PSC103*3IQ18**SA	0.01	31.0	9	18	27.5		0.8	2750	28	2.5	54.0
PSC223*3IW22**SA	0.022	26.5	12	22	22.5		0.8	3400	51	3	33.0
PSC223*3IM20**SA	0.022	31.0	11	20	27.5		0.8	2750	41	3	38.0
PSC223*3IR22**SA	0.022	31.0	13	22	27.5		0.8	2750	61	4	26.5
PSC333*3IK2D**SA	0.033	31.0	15	24.5	27.5		0.8	2750	91	5	19.0
PSC473*3IL33**SA	0.047	31.0	18	33	27.5		1.0	2750	129	7.5	13.8
PSC104*3IC30**SA	0.1	42.5	22	30	37.5		1.2	1600	160	10	9.4
PSC104*3IC30**SA	0.1	42.5	22	30	37.5	10.2	1.2	1600	160	12.5	8.7
PSC154*3IE37**SA	0.15	42.5	28	37	37.5		1.2	1600	240	12	6.8
PSC154*3IE37**SA	0.15	42.5	28	37	37.5	10.2	1.2	1600	240	14.5	6.1
PSC184*3IE37**SA	0.18	42.5	28	37	37.5	10.2	1.2	1600	288	16	5.8
PSC224*3IF45**SA	0.22	42.5	30	45	37.5		1.2	1600	352	12	5.8
PSC224*3IF45**SA	0.22	42.5	30	45	37.5	20.3	1.2	1600	352	18	4.6
PSC224*3IH45**SA	0.22	42.5	33	45	37.5	10.2	1.2	1600	352	25	6.1
PSC244*3IH45**SA	0.24	42.5	33	45	37.5	10.2	1.2	1600	384	24	5.8
PSC274*3IH45**SA	0.27	42.5	33	45	37.5	10.2	1.2	1600	432	26	5.7
PSC334*3IH45**SA	0.33	42.5	33	45	37.5	10.2	1.2	1600	528	24	5.3
PSC334*3IS45**SA	0.33	57.5	30	45	52.5		1.2	875	289	12	5.7
PSC334*3IS45**SA	0.33	57.5	30	45	52.5	20.3	1.2	875	289	20	6.0
PSC354*3IH45**SA	0.35	42.5	33	45	37.5	10.2	1.2	1600	560	28	3.4
PSC474*3IP50**SA	0.47	57.5	33	50	52.5		1.2	875	411	12	4.8
PSC474*3IP50**SA	0.47	57.5	33	50	52.5	20.3	1.2	875	411	22	3.8


备注： 产品编码的第7位的“\*”是代表可选容差为J=  $\pm$ 5%或K=  $\pm$ 10%。  
 产品编码的第13位的“\*”是代表可选接脚线数目为2条，4条或6条。  
 产品编码的第14位的“\*”是代表可选接脚线长度，E即是5mm，3即是30mm。  
 Remark： The “\*” in 7th digit is used for the capacitance tolerance, J=  $\pm$ 5% or K=  $\pm$ 10%.  
 The “\*” in 13th digit is used for the leads style, for 2 leads, 4 leads or 6 leads.  
 The “\*” in 14th digit is used for the lead length, E for 5mm, 3 for 30mm.

规格若有任何变更将不予通知。如有产品安全或技术问题，请与我司业务部或代理商联系。  
 Specifications are subject to change without notice. For any concern on safety or technical aspects on the product,  
 please contact our sales offices or agents immediately.

# PAF 系列 Series

## 三相交流滤波电容器 Three Phase AC Filter

### 基本技术特点 GENERAL TECHNICAL CHARACTERISTICS

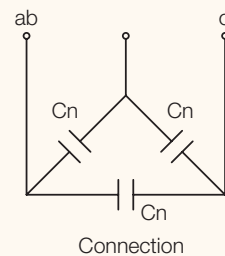
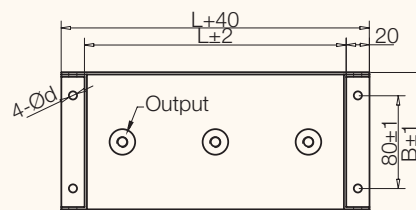
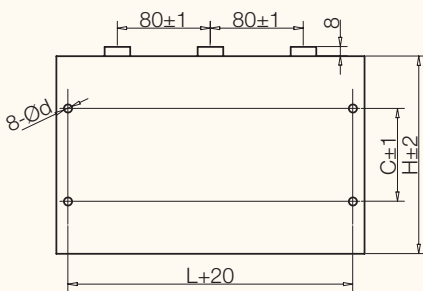
引用标准 Reference Standards	IEC 61071-60068	
绝缘介质 Dielectric	聚丙烯薄膜 Polypropylene film	
结构 Construction	乾式结构 Dry construction	
封装 Coating	铝外壳 Aluminum case	
端子 Leads	M8, M10 螺孔 Threaded insert M8 or M10	

### 技术规格 ELECTRICAL CHARACTERISTICS

工作温度 Operating Temperature	-40 to +85°C (外壳 case)
电容量 Capacitance	3x30 to 3x500μF
额定电压 Rated Voltage	400 to 850VAC
容差 Tolerance	±5% or ±10%
自感 Ls Self-inductance	<100nH
损耗因数 Dissipation Factor	≤2 × 10 <sup>-3</sup> 在100Hz和25±5°C测定 ≤2 × 10 <sup>-3</sup> measured at 100Hz and 25±5°C
预期寿命 Life Expectancy	在额定交流电压和 70°C (热点温度)的条件下可达30,000小时 30,000 hours at Urms and 70°C (Hot-spot temperature)

### 测试 TEST METHODS AND PERFORMANCE

极间耐电压 Voltage withstand between terminals	在2.15倍额定交流电压Un下持续10秒 (25±5°C) 2.15Urms applied for 10 sec at 25±5°C
极壳之间耐电压 Test Voltage Terminal to Case	3kVAC/50Hz 持续60秒 3kVAC/50Hz for 60 sec
自放电时间常数 Self discharge time constant	≥5,000 秒 (典型值), 电容器充电1分钟后增加100VDC (25±5°C) ≥5,000 sec (typical value) after 1 minute of electrification at 100VDC (25±5°C)



外壳箱代码 Case Code	长度 L (mm)	宽度 B (mm)	高度 H (mm)	孔距 C (mm)	孔直径 d (mm)	引出 Output	引出代码 Output Code	力矩 Torque
A1T	225	120	170	80	7	M8 x 10	M8	8.5 N.m Max
A2C	225	120	235	100	7	M8 x 10	M8	8.5 N.m Max
B2C	295	120	235	100	9	M10 x 10	MK	12 N.m Max
C2C	365	120	235	120	9	M10 x 10	MK	12 N.m Max

规格若有任何变更将不予通知。如有产品安全或技术问题，请即与我司业务部或代理商联系。  
Specifications are subject to change without notice. For any concern on safety or technical aspects on the product, please contact our sales offices or agents immediately.

产品编码和电性规格 PART NUMBER AND ELECTRICAL SPECIFICATIONS

产品编码 Part Number	容量 Cap ( $\mu$ F)	等效 串联 电阻 ESR@ 1.0 kHz (m $\Omega$ )	纹波 电流 I <sub>rms</sub> @25°C @10kHz (A)	外壳箱 代码 Case Code	热阻 R <sub>th</sub> (°C/W)	重量 Weight (kg)
<b>Urms 400VAC, Upeak 565V</b>						
PAF607*2GA1TM8SA	3×200	3×0.95	3×70	A1T	1.11	6.2
PAF907*2GA2CM8SA	3×300	3×0.88	3×90	A2C	0.86	8.70
PAF128*2GB2CMKSA	3×400	3×0.83	3×120	B2C	0.71	11.20
PAF158*2GC2CMKSA	3×500	3×0.80	3×160	C2C	0.60	14.50
<b>Urms 500VAC, Upeak 710V</b>						
PAF367*2HA1TM8SA	3×120	3×1.01	3×50	A1T	1.11	6.20
PAF547*2HA2CM8SA	3×180	3×0.92	3×70	A2C	0.86	8.70
PAF727*2HB2CMKSA	3×240	3×0.86	3×100	B2C	0.71	11.20
PAF907*2HC2CMKSA	3×300	3×0.83	3×120	C2C	0.60	14.50
<b>Urms 550VAC, Upeak 780V</b>						
PAF277*25A1TM8SA	3×90	3×1.86	3×30	A1T	1.11	6.20
PAF4K7*25A2CM8SA	3×135	3×1.49	3×60	A2C	0.86	8.70
PAF5E7*25B2CMKSA	3×185	3×1.28	3×80	B2C	0.71	11.20
PAF6H7*25C2CMKSA	3×225	3×1.19	3×100	C2C	0.60	14.50
<b>Urms 690VAC, Upeak 975V</b>						
PAF157*27A1TM8SA	3×50	3×2.03	3×40	A1T	1.11	6.20
PAF2B7*27A2CM8SA	3×75	3×1.64	3×60	A2C	0.86	8.70
PAF307*27B2CMKSA	3×100	3×1.39	3×80	B2C	0.71	11.20
PAF2G7*27C2CMKSA	3×125	3×1.28	3×100	C2C	0.60	14.50
<b>Urms 850VAC, Upeak 1200V</b>						
PAF906*2RA1TM8SA	3×30	3×2.36	3×30	A1T	1.11	6.20
PAF1C7*2RA2CM8SA	3×45	3×1.85	3×50	A2C	0.86	8.70
PAF1*7*2RB2CMKSA	3×65	3×1.50	3×70	B2C	0.71	11.20
PAF247*2RC2CMKSA	3×80	3×1.38	3×80	C2C	0.60	14.50

备注：产品编码的第7位的“\*”是代表可选容差为J=±5%或K=±10%。

Remark: The “\*” in 7th digit is used for the capacitance tolerance, J=±5% or K=±10%.

规格若有任何变更将不予通知。如有产品安全或技术问题，请即与我司业务部或代理商联系。  
Specifications are subject to change without notice. For any concern on safety or technical aspects on the product, please contact our sales offices or agents immediately.



## 总公司 HEAD OFFICE

香港

### HONG KONG

万裕电子有限公司  
香港柴湾嘉业街10号  
益高工业大厦16字楼  
Man Yue Electronics Co., Ltd.  
16/F, Yiko Industrial Building,  
10 Ka Yip Street, Chai Wan, Hong Kong  
电话 TEL: (852) 2897 5277  
传真 FAX: (852) 2558 6299

## 分公司 BRANCH OFFICE

香港

### HONG KONG

三信电子零件有限公司  
香港柴湾嘉业街10号  
益高工业大厦16字楼  
Samxon Electronic Components Ltd.  
16/F, Yiko Industrial Building,  
10 Ka Yip Street, Chai Wan, Hong Kong  
电话 TEL: (852) 2897 5277  
传真 FAX: (852) 2558 6299

台湾

### TAIWAN

香港商万裕国际电子有限公司台湾分公司  
台湾新北市23553中和区  
连城路258号13楼之1  
邮政编码: 23553  
Man Yue Electronics Company Limited  
Taiwan Branch (H.K.)  
13F-1, No. 258 Liancheng Road,  
Zhonghe District, New Taipei City,  
Taiwan 23553, R.O.C.  
Postal Code: 23553  
电话 TEL: 886 (02) 8227 2227  
传真 FAX: 886 (02) 8227 2226

[www.samxon.com](http://www.samxon.com)

## 中国深圳 SHENZHEN, CHINA

万晋电子(深圳)有限公司  
中国深圳市罗湖区  
宝安南路2014号振业大厦B座913、915房  
邮政编码: 518000  
Man Jin Electronics (Shenzhen) Co., Ltd.  
Rm 913 & 915, Block B, 9/F, Zhenye Tower,  
2014 Baoan South Road,  
Luohu, Shenzhen City,  
Guangdong Province, PR China  
Postal Code: 518000  
电话 TEL: 86 (755) 2586 2216  
传真 FAX: 86 (755) 2586 2239

## 中国上海 SHANGHAI, CHINA

万发国际贸易(上海)有限公司  
中国江苏省无锡市锡山经济开发区  
东亭镇春晖东路148号  
邮政编码: 214101  
Man Fat International Trading  
(Shanghai) Co., Ltd.  
148 Chunhui East Road, Dongting Town,  
Xishan Economic Development Zone,  
Wuxi, Jiangsu Province, PR China  
Postal Code: 214101  
电话 TEL: 86 (510) 8866 2688  
传真 FAX: 86 (510) 8865 2933

中国上海市宝山区  
共和新路4995号611室  
邮政编码: 200435  
Room 611,  
No.4995 Gong He Xin Road,  
Baoshan District,  
Shanghai, PR China  
Postal Code: 200435  
电话 TEL: 86 (021) 6639 2180  
传真 FAX: 86 (021) 6639 2180

## 中国厂址 PRC MANUFACTURING PLANTS

中国东莞

### DONGGUAN, CHINA

万裕三信电子(东莞)有限公司  
中国广东省东莞市长安镇乌沙村  
兴发南路新星工业园  
邮政编码: 523857  
Samxon Electronics (Dongguan) Co., Ltd.  
Xin Xing Industrial Area,  
Xing Fa South Road, Wu Sha Village,  
Changan Town, Dongguan,  
Guangdong Province, PR China  
Postal Code: 523857  
电话 TEL: 86 (769) 8228 6000 / 8532 3339  
传真 FAX: 86 (769) 8541 6401

中国无锡

### WUXI, CHINA

无锡万裕电子有限公司  
中国江苏省无锡市锡山经济开发区  
东亭镇春晖东路148号  
邮政编码: 214101  
Wuxi Man Yue Electronics Co., Ltd.  
148 Chunhui East Road, Dongting Town,  
Xishan Economic Development Zone,  
Wuxi, Jiangsu Province, PR China  
Postal Code: 214101  
电话 TEL: 86 (510) 8866 2688  
传真 FAX: 86 (510) 8865 0388

